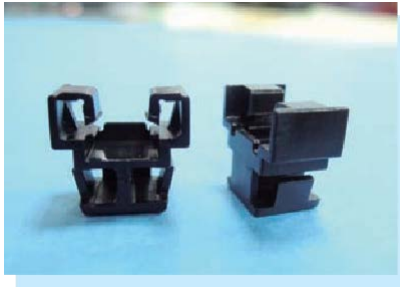
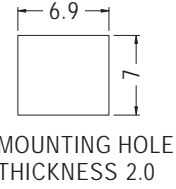
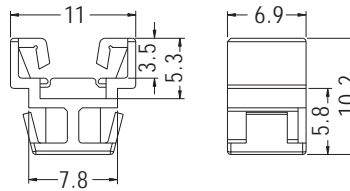


DOOR LOCK



- ◆ MATERIAL:NYLON 66 (UL)
- ◆ FLAME CLASS:94V-2/94V-0
- ◆ COLOR:NATURAL/BLACK
- ◆ UNIT:mm

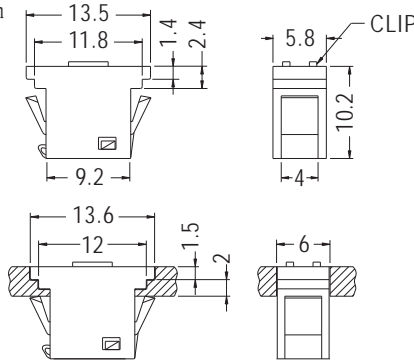


PART NO	PACKAGE
DT-47B	1000

MAGNET DOOR LOCK



- ◆ MATERIAL:NYLON 66 (UL)
- ◆ FLAME CLASS:94V-2/94V-0
- ◆ CLIP MATERIAL:SPCC
- ◆ COLOR:BLACK
- ◆ UNIT:mm



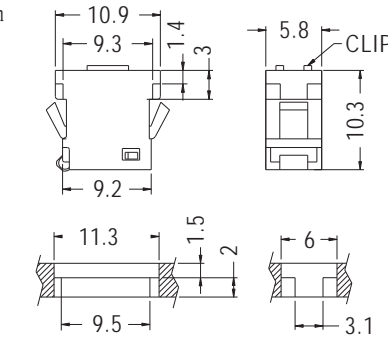
MOUNTING HOLE

PART NO	PACKAGE
DTM-1	500

MAGNET DOOR LOCK



- ◆ MATERIAL:NYLON 66 (UL)
- ◆ FLAME CLASS:94V-2/94V-0
- ◆ CLIP MATERIAL:SPCC
- ◆ COLOR:BLACK
- ◆ UNIT:mm



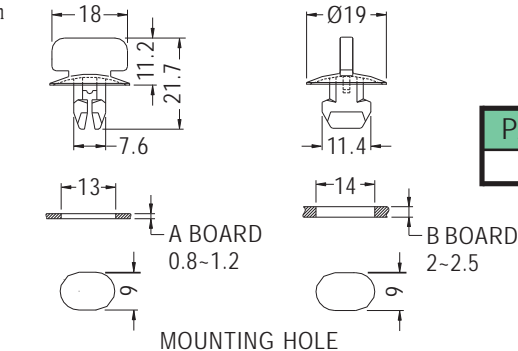
MOUNTING HOLE

PART NO	PACKAGE
DTM-2	500

DOOR LOCK



- ◆ MATERIAL:NYLON 66 (UL)
- ◆ FLAME CLASS:94V-2/94V-0
- ◆ COLOR:BLACK
- ◆ UNIT:mm



MOUNTING HOLE

PART NO	PACKAGE
TF-1	200

