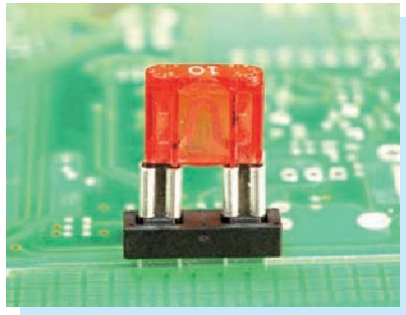
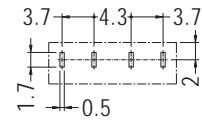
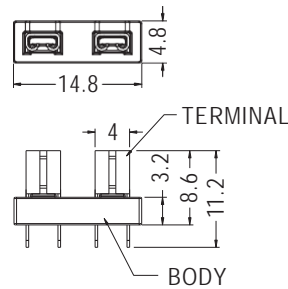


FUSE HOLDER

NEW



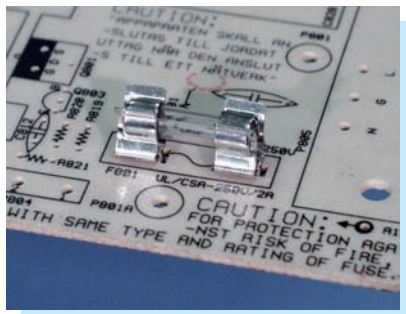
- ◆ BODY MATERIAL: NYLON 66 (UL)
- ◆ TERMINAL MATERIAL: TIN PLATED BRASS
- ◆ FLAME CLASS: 94V-2/94V-0
- ◆ COLOR: NATURAL/BLACK
- ◆ UNIT: mm



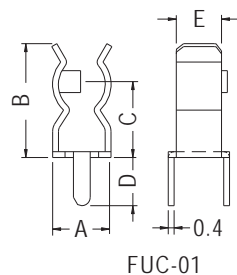
MOUNTING HOLES

PARTNO	PACKAGE
FUSCV-8F	1000

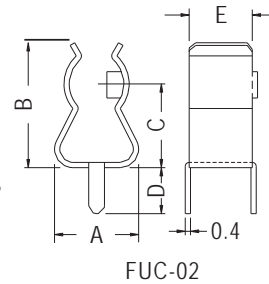
FUSE HOLDER



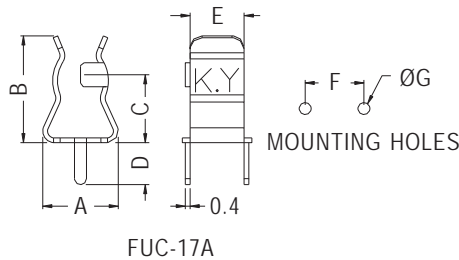
- ◆ MATERIAL: BRASS
- ◆ FINISH: BRIGHT TIN PLATED
- ◆ UNIT: mm



MOUNTING HOLES



MOUNTING HOLES

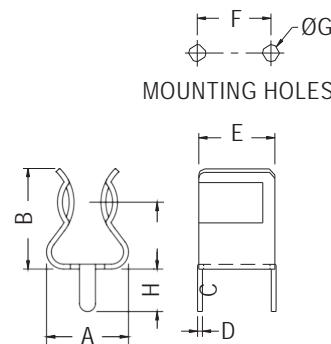


PARTNO	A	B	C	D	E	F	G	PACKAGE
FUC-01	4.0	7.8	5.2	3.3	3.1	3.8	1.2	Ø3.6
FUC-02	6.4	9.5	6.5	3.5	4.8	5.1	1.3	Ø5.2
FUC-17A	6.3	8.9	5.65	3.5	4.5	4.9	1.1	Ø5.2

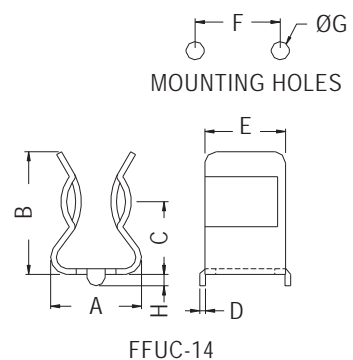
FUSE HOLDER



- ◆ MATERIAL: BRASS
- ◆ FINISH: BRIGHT TIN PLATED
- ◆ UNIT: mm



MOUNTING HOLES



MOUNTING HOLES

PARTNO	A	B	C	D	E	F	G	H	PACKAGE
FUC-03	6.8	8.3	5.5	0.4	6.3	6.0	1.4	3.6	1000
FUC-03A	6.4	8.8	5.5	0.5	6.3	6.7	1.7	3.6	
FUC-04	8.1	10.9	6.8	0.5	7.0	7.5	1.7	3.5	
FUC-14	8.1	10.9	6.8	0.5	7.0	7.5	1.7	1.0	

