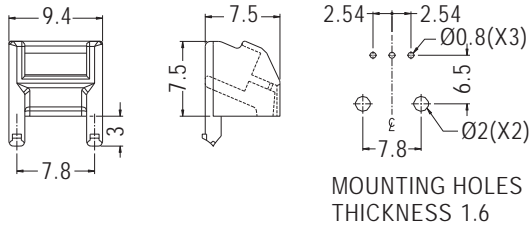
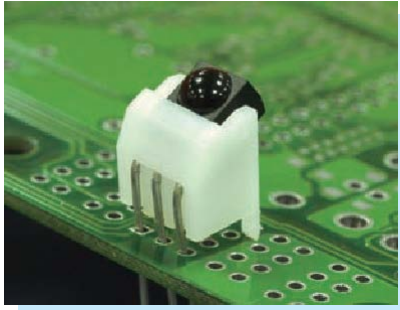


# IR RECEIVER HOLDER

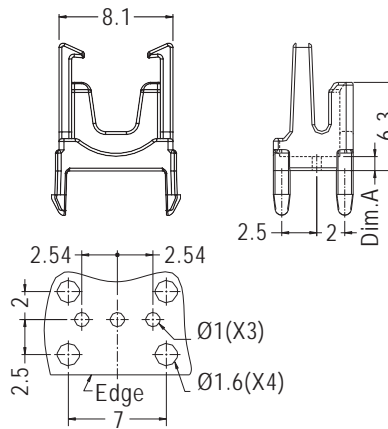
- ◆ MATERIAL: NYLON 66 (UL)
- ◆ FLAME CLASS: 94V-2/94V-0
- ◆ COLOR: NATURAL/BLACK
- ◆ UNIT: mm



| PART NO | PACKAGE |
|---------|---------|
| RECD-3  | 1000    |

# IR RECEIVER HOLDER

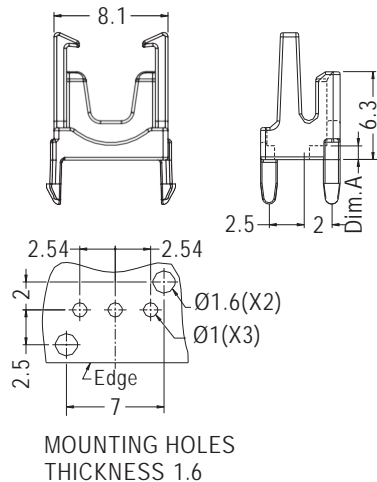
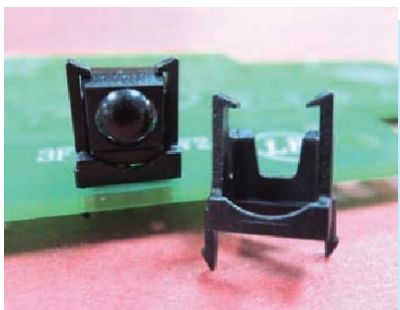
- ◆ MATERIAL: NYLON 66 (UL)
- ◆ FLAME CLASS: 94V-2/94V-0
- ◆ COLOR: NATURAL/BLACK
- ◆ UNIT: mm



| PARTNO   | Dim.A | PACKAGE |
|----------|-------|---------|
| RECA-1   | 1.0   | 1000    |
| RECA-1.5 | 1.5   |         |
| RECA-2   | 2.0   |         |
| RECA-2.5 | 2.5   |         |
| RECA-3   | 3.0   |         |
| RECA-3.5 | 3.5   |         |
| RECA-4   | 4.0   |         |
| RECA-4.5 | 4.5   |         |
| RECA-5   | 5.0   |         |
| RECA-5.5 | 5.5   |         |
| RECA-6   | 6.0   |         |

# IR RECEIVER HOLDER

- ◆ MATERIAL: NYLON 66 (UL)
- ◆ FLAME CLASS: 94V-2/94V-0
- ◆ COLOR: NATURAL/BLACK
- ◆ UNIT: mm



| PARTNO   | Dim.A | PACKAGE |
|----------|-------|---------|
| RECG-1   | 1.0   | 1000    |
| RECG-1.5 | 1.5   |         |
| RECG-2   | 2.0   |         |
| RECG-2.5 | 2.5   |         |
| RECG-3   | 3.0   |         |
| RECG-3.5 | 3.5   |         |
| RECG-4   | 4.0   |         |
| RECG-4.5 | 4.5   |         |
| RECG-5   | 5.0   |         |
| RECG-5.5 | 5.5   |         |
| RECG-6   | 6.0   |         |

