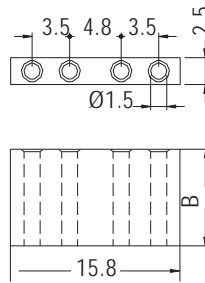


## BRIDGE RECTIFIER HOUSING

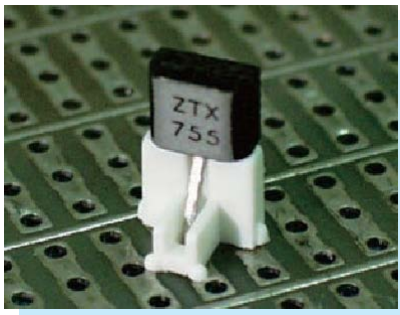


- ◆ MATERIAL:PBT (UL)
- ◆ FLAME CLASS:94V-0
- ◆ COLOR:BLACK
- ◆ UNIT:mm

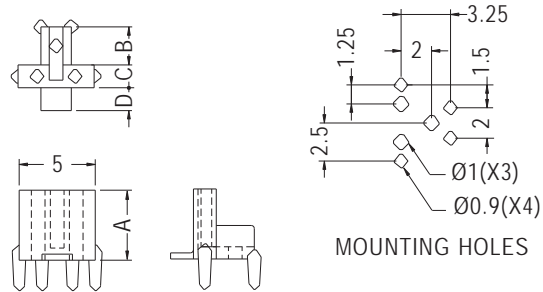


PART NO	B	PACKAGE
BWC-1	9.0	1000
BWC-2	18.0	

## HALL SENSOR HOUSING



- ◆ MATERIAL:NYLON 66 (UL)
- ◆ FLAME CLASS:94V-2/94V-0
- ◆ COLOR:NATURAL/WHITE/BLACK
- ◆ UNIT:mm

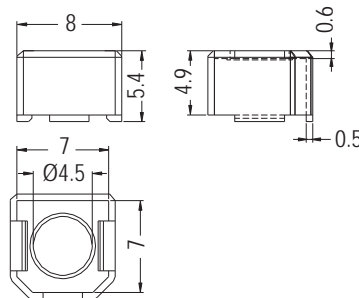


PART NO	A	B	C	D	PACKAGE
HLS-1	4.6	2.5	1.5	1.5	2000
HLS-2	10.5	2.4	1.7	1.4	

## VR. COVER

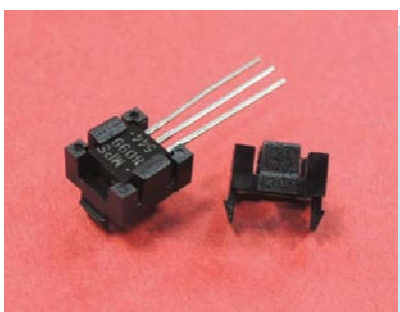


- ◆ MATERIAL:NYLON 66 (UL)
- ◆ FLAME CLASS:94V-2/94V-0
- ◆ COLOR:NATURAL/BLACK
- ◆ UNIT:mm

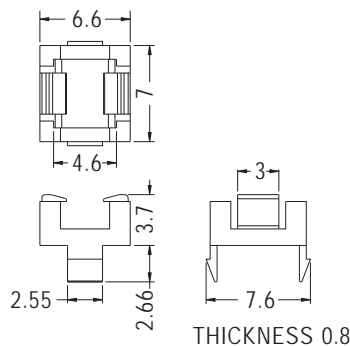


PART NO	PACKAGE
VRCV-1	2000

## ELECTRIC RESISTANCE HOLDER



- ◆ MATERIAL:NYLON 66 (UL)
- ◆ FLAME CLASS:94V-2/94V-0
- ◆ COLOR:NATURAL/BLACK
- ◆ UNIT:mm



PART NO	PACKAGE
TRE-1-1	2000

