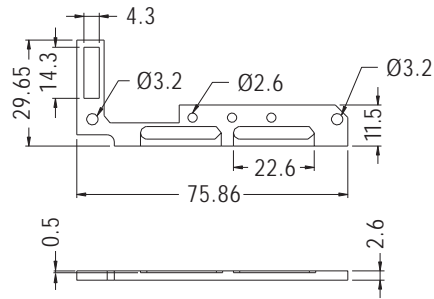
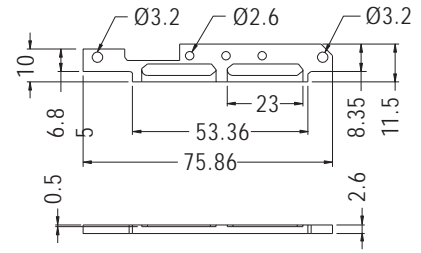


SPACER

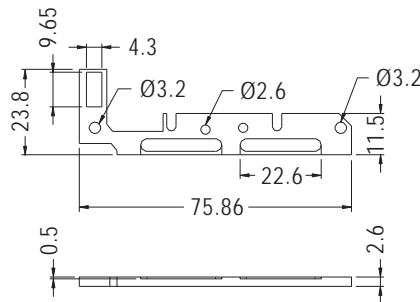
- ◆ MATERIAL: NYLON 46 (UL)
- ◆ FLAME CLASS: 94V-0
- ◆ COLOR: NATURAL/BLACK
- ◆ UNIT: mm



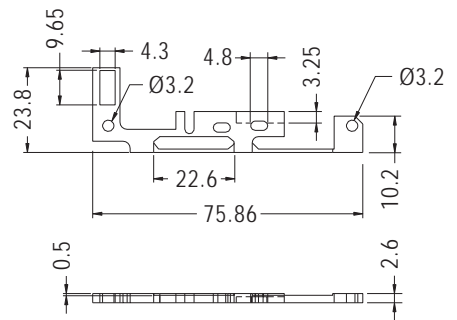
PART NO	PACKAGE
EML-7	200



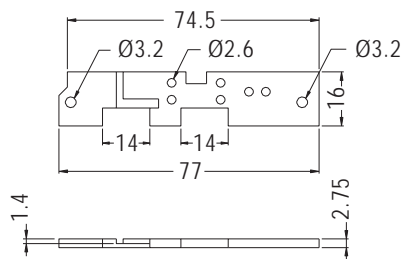
PART NO	PACKAGE
EML-10	500



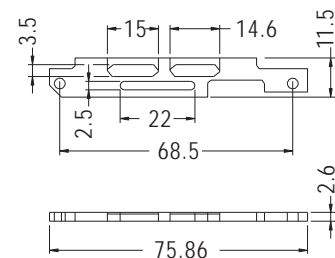
PART NO	PACKAGE
EML-13	200



PART NO	PACKAGE
EML-23	200



PART NO	PACKAGE
EML-22	500



PART NO	PACKAGE
★ EML-52	500

