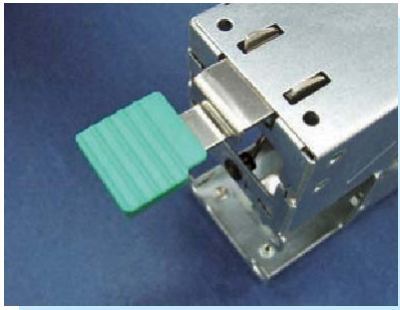
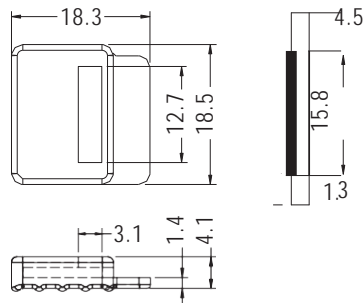


HANDLE



- ◆ MATERIAL:PC+ABS (UL)
- ◆ FLAME CLASS:94V-2/94V-0
- ◆ COLOR:BLACK/GREEN
- ◆ UNIT:mm

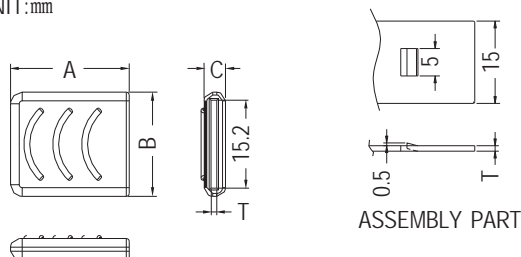


PART NO	PACKAGE
HANE-33	1000

HANDLE



- ◆ MATERIAL:PC+ABS (UL)
- ◆ FLAME CLASS:94V-2/94V-0
- ◆ COLOR:BLACK/GREEN
- ◆ UNIT:mm

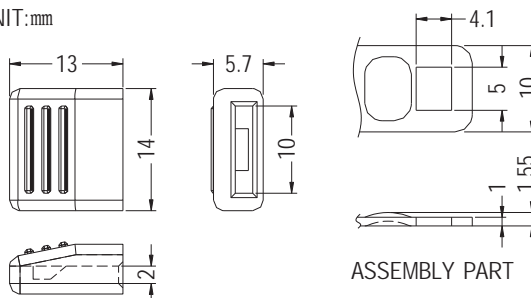


PART NO	A	B	C	T	PACKAGE
HANE-36	20.5	18.0	4.0	0.8~1.0	1000
HANE-48	20.5	18.0	4.0	1.2	
HANE-55	20.5	18.0	3.7	0.8~1.0	
HANE-69	20.7	18.2	4.0	1.0	

HANDLE



- ◆ MATERIAL:TPE
- ◆ COLOR:BLACK/ORANGE
- ◆ UNIT:mm

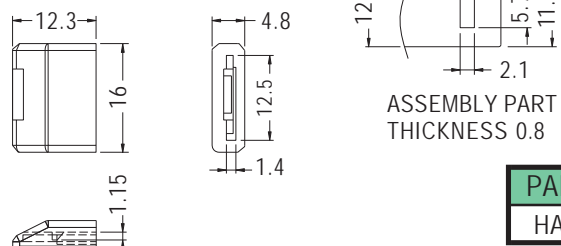


PART NO	PACKAGE
HANE-23	1000

HANDLE



- ◆ MATERIAL:TPE (UL)
- ◆ FLAME CLASS:94V-0
- ◆ COLOR:BLACK/ORANGE
- ◆ UNIT:mm



PART NO	PACKAGE
HANE-37	1000

