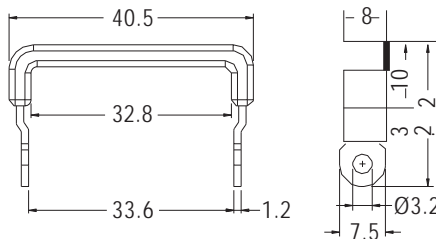


**HANDLE**



- ◆ BODY MATERIAL:PC+ABS (UL)
- ◆ METAL MATERIAL:SGCC
- ◆ FLAME CLASS:94V-2
- ◆ COLOR:BLACK
- ◆ UNIT:mm

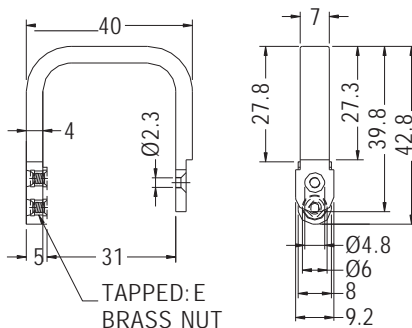


PART NO	PACKAGE
HANU-83	1000

**HANDLE**



- ◆ MATERIAL:NYLON 66 (UL)
- ◆ FLAME CLASS:94V-2/94V-0
- ◆ COLOR:BLACK
- ◆ UNIT:mm

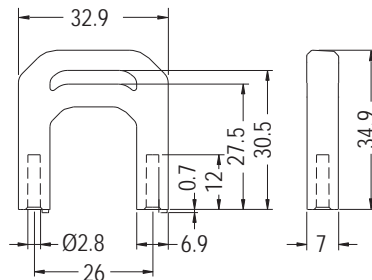


PART NO	E	PACKAGE
HANU-34	M2.5X0.45P	100

**HANDLE**



- ◆ MATERIAL:PC+ABS (UL)
- ◆ FLAME CLASS:94V-2/94V-0
- ◆ COLOR:BLACK
- ◆ UNIT:mm

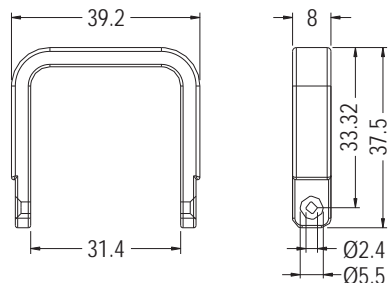


PART NO	PACKAGE
HANU-27U	250

**HANDLE**



- ◆ MATERIAL:PC+ABS (UL)
- ◆ FLAME CLASS:94V-2/94V-0
- ◆ COLOR:BLACK
- ◆ UNIT:mm



PART NO	PACKAGE
HANU-71	250