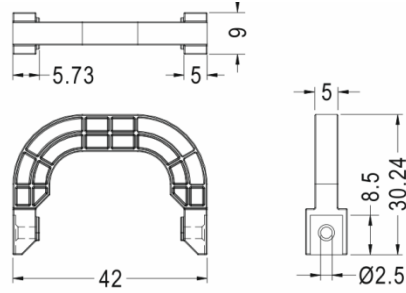


# HANDLE

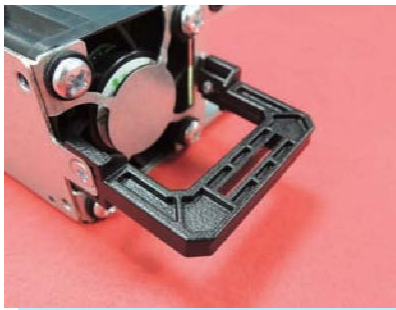


- ◆ MATERIAL:PC+ABS (UL)
- ◆ FLAME CLASS:94V-0
- ◆ COLOR:BLACK
- ◆ UNIT:mm

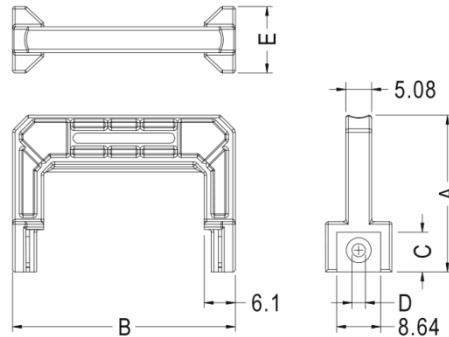


PART NO	PACKAGE
HAND-50	250

# HANDLE

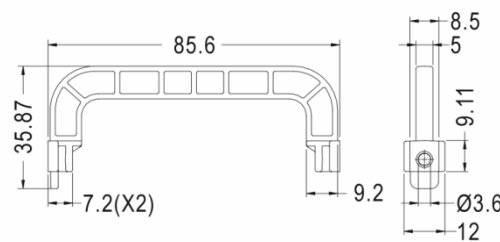


- ◆ MATERIAL:PC (UL)
- ◆ FLAME CLASS:94V-2/94V-0
- ◆ COLOR:BLACK
- ◆ UNIT:mm



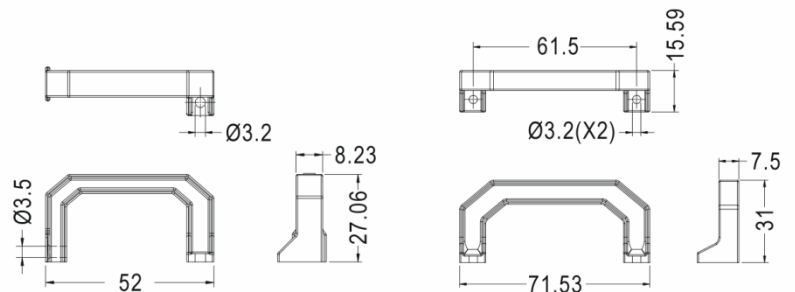
PART NO	A	B	C	D	E	PACKAGE
HAND-51	29.97	43.63	7.4	2.62	11.68	250
HAND-51L	30.67	43.63	7.8	2.62	13.0	
HAND-54	29.98	41.63	7.4	2.62	11.68	
HAND-55	29.98	34.59	7.1	2.6	11.68	

# HANDLE



PART NO	PACKAGE
HAND-82	100

# HANDLE



PART NO	PACKAGE
HAND-79	250

PART NO	PACKAGE
HAND-80	250

