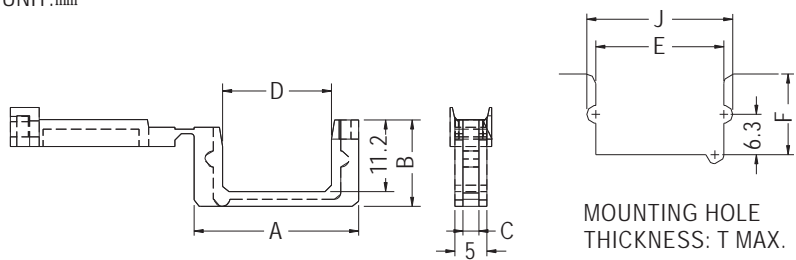


SQUARE SNAP BUSHING

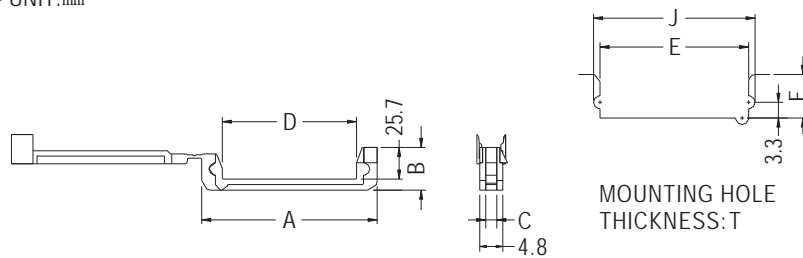
- ◆ MATERIAL: NYLON 66 (UL)
- ◆ FLAME CLASS: 94V-2/94V-0
- ◆ COLOR: NATURAL/BLACK
- ◆ UNIT: mm



| PARTNO | A | B | C | D | E | F | J | T | PACKAGE |
|--------|------|------|-----|------|------|------|------|-----|---------|
| SQJ-1 | 25.7 | 13.5 | 2.5 | 17.0 | 20.0 | 12.6 | 22.8 | 2.1 | 1000 |

SQUARE SNAP BUSHING

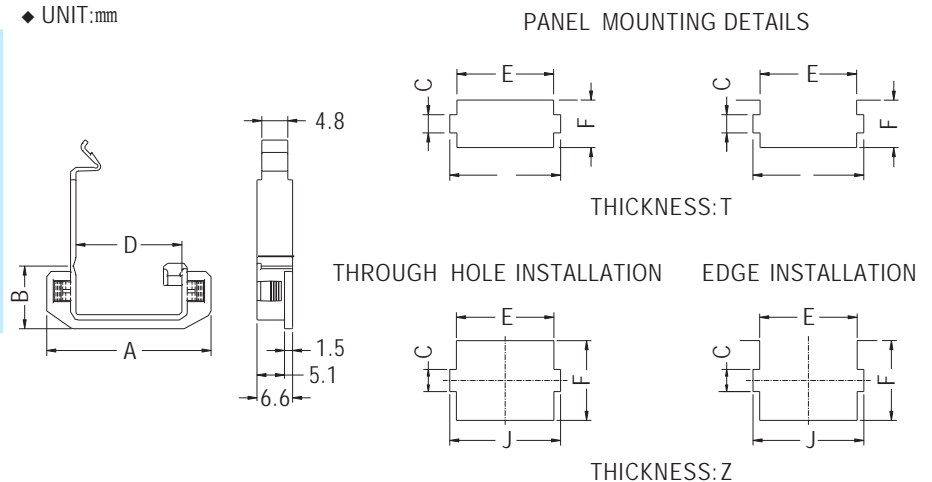
- ◆ MATERIAL: NYLON 66 (UL)
- ◆ FLAME CLASS: 94V-2/94V-0
- ◆ COLOR: NATURAL/BLACK
- ◆ UNIT: mm



| PARTNO | A | B | C | D | E | F | J | T | PACKAGE |
|--------|------|-----|-----|------|------|-----|------|-----|---------|
| SQJ-2 | 36.6 | 8.9 | 2.3 | 28.0 | 31.0 | 9.1 | 33.7 | 2.0 | 1000 |

SQUARE SNAP BUSHING

- ◆ MATERIAL: NYLON 66 (UL)
- ◆ FLAME CLASS: 94V-2/94V-0
- ◆ COLOR: NATURAL/BLACK
- ◆ UNIT: mm



| PARTNO | A | B | C | D | E | F | I | J | T | Z | PACKAGE |
|--------|------|------|-----|------|------|------|------|------|---------|-----|---------|
| SQJA-1 | 30.4 | 11.6 | 4.1 | 19.6 | 21.8 | 10.7 | 25.0 | 26.0 | 0.8-1.6 | 2.0 | 500 |
| SQJA-2 | 31.0 | 18.6 | 5.0 | 19.6 | 22.0 | 18.0 | 25.0 | 26.0 | 0.8-1.6 | 2.0 | |

