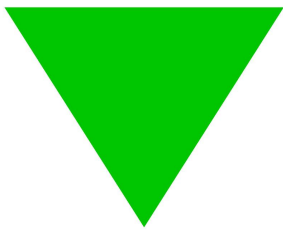


# PLASTIC PARTS for PCB

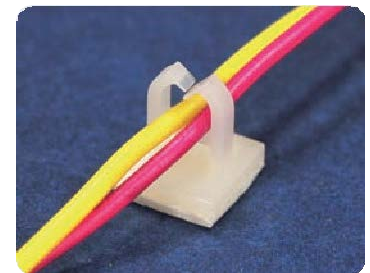
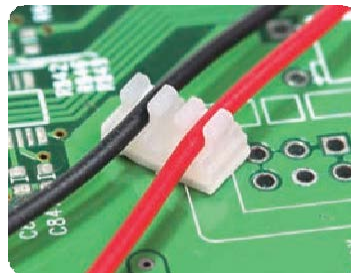
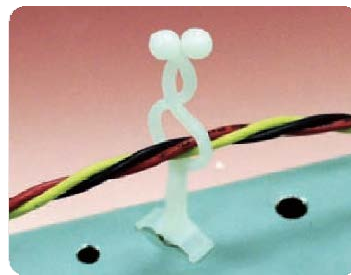
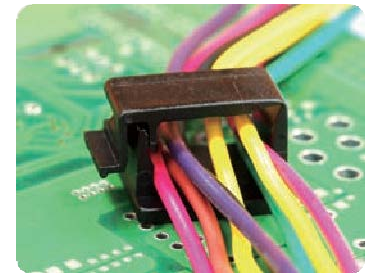
MOUNT / LOCK STICK  
WIRE MARK / F.B.T CLIP

**TOPTTEK®**

HARDWARE ELECTRONIC MANUFACTURER



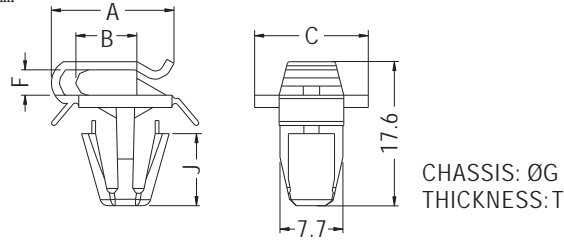
[www.toptek-co.com](http://www.toptek-co.com)



## WIRE SADDLE SIDE ENTRY

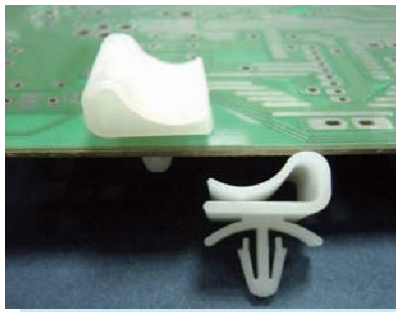


- ◆ MATERIAL: NYLON 66 (UL)
- ◆ FLAME CLASS: 94V-2/94V-0
- ◆ COLOR: NATURAL/BLACK
- ◆ UNIT: mm

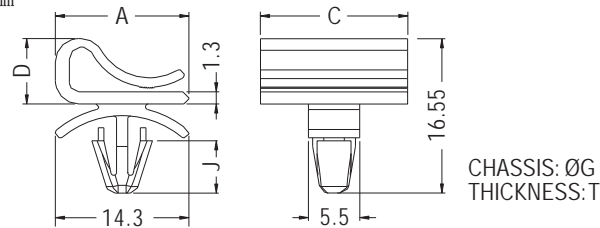


PART NO	A	B	C	F	G	J	T	PACKAGE
FCCA-1	15.0	7.45	13.9	3.1	8.0	8.8	1.0~2.8	1000

## WIRE MOUNT

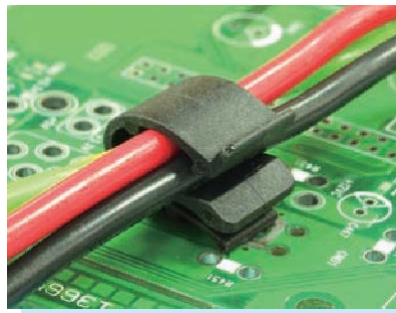


- ◆ MATERIAL: NYLON 66 (UL)
- ◆ FLAME CLASS: 94V-2/94V-0
- ◆ COLOR: NATURAL/BLACK
- ◆ UNIT: mm

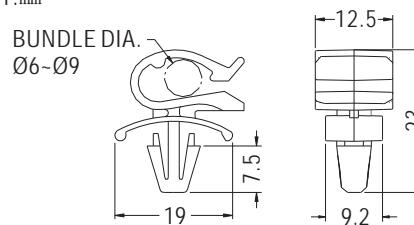


PART NO	A	C	D	G	J	T	PACKAGE
FCCB-1	14.3	15.8	7.0	4.8	5.6	0.6~2.0	1000

## WIRE MOUNT



- ◆ MATERIAL: NYLON 66 (UL)
- ◆ FLAME CLASS: 94V-2/94V-0
- ◆ COLOR: NATURAL/BLACK
- ◆ UNIT: mm



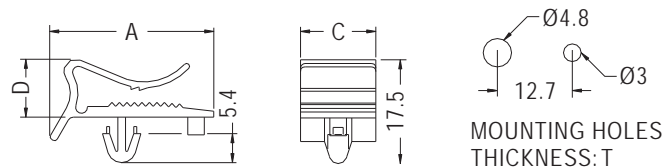
MOUNTING HOLE Ø6.3-Ø6.5  
THICKNESS 1.0-3.0

PART NO	PACKAGE
FCCD-1	1000

## FLAT CABLE CLAMP



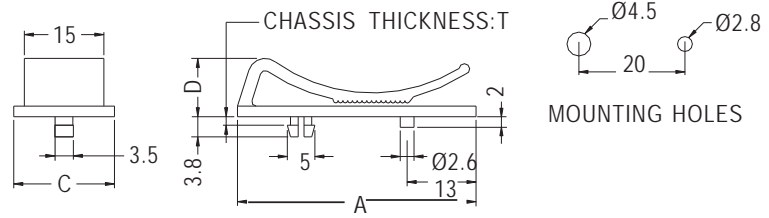
- ◆ MATERIAL: NYLON 66 (UL)
- ◆ FLAME CLASS: 94V-2/94V-0
- ◆ COLOR: NATURAL/BLACK
- ◆ UNIT: mm



PART NO	A	C	D	T	PACKAGE
FCCT-12	28.0	12.7	9.8	0.8~2.5	500

# FLAT CABLE CLAMP

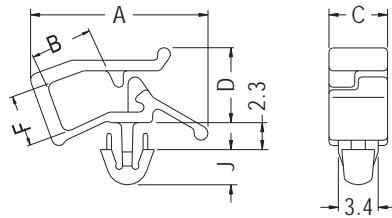
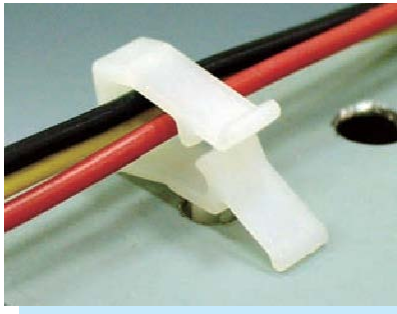
- ◆ MATERIAL: NYLON 66 (UL)
- ◆ FLAME CLASS: 94V-2
- ◆ COLOR: NATURAL
- ◆ UNIT: mm



PART NO	A	C	D	T	PACKAGE
FCG-15	45.0	19.0	11.0	1.2	1000

# WIRE SADDLE SIDE ENTRY

- ◆ MATERIAL: NYLON 66 (UL)
- ◆ FLAME CLASS: 94V-2/94V-0
- ◆ COLOR: NATURAL/BLACK
- ◆ UNIT: mm

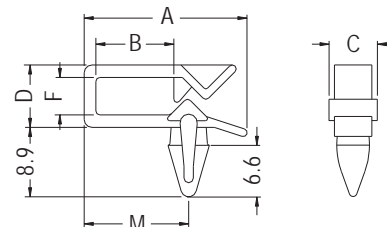
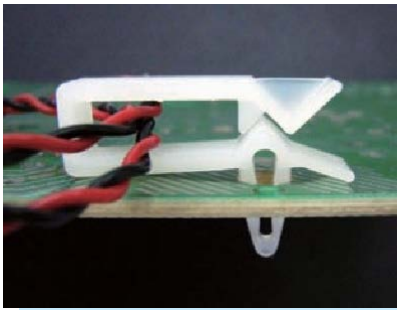


CHASSIS: ØG  
THICKNESS: T

PART NO	A	B	C	D	F	G	J	T	PACKAGE
WPEM-1	20.3	7.2	5.0	8.5	6.2	3.5	3.0	0.5~1.6	1000
WPEM-1S	15.2	5.3	5.0	6.4	4.3				
WPEM-2	13.5	4.1	5.0	5.0	2.6				

# WIRE SADDLE SIDE ENTRY

- ◆ MATERIAL: NYLON 66 (UL)
- ◆ FLAME CLASS: 94V-2/94V-0
- ◆ COLOR: NATURAL/BLACK/GRAY
- ◆ UNIT: mm



CHASSIS: ØG  
THICKNESS: T

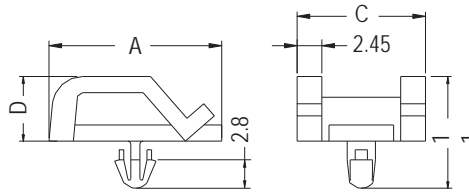
PART NO	A	B	C	D	F	G	M	T	PACKAGE
WPEG-1	20.9	10.0	6.2	8.0	4.8	4.8	13.4	2.0	1000
WPEG-2	24.2	13.2					16.8		
WPEG-3	17.5	6.6					10.8		



# WIRE MOUNT



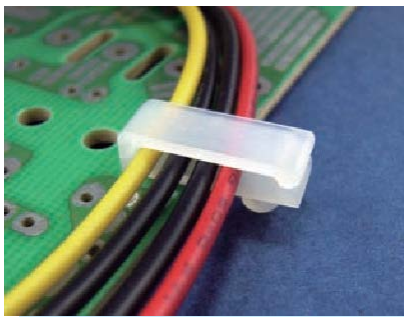
- ◆ MATERIAL: NYLON 66 (UL)
- ◆ FLAME CLASS: 94V-2/94V-0
- ◆ COLOR: NATURAL/BLACK
- ◆ UNIT: mm



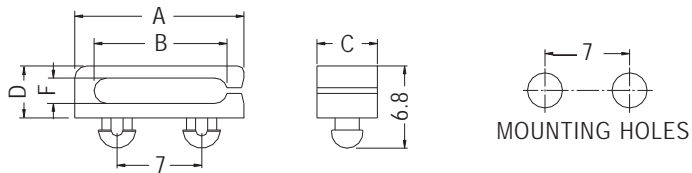
CHASSIS: ØG  
THICKNESS: T

PART NO	A	C	D	G	T	PACKAGE
FCPT-1	17.1	12.7	6.4	3.0	1.6	1000

# WIRE MOUNT



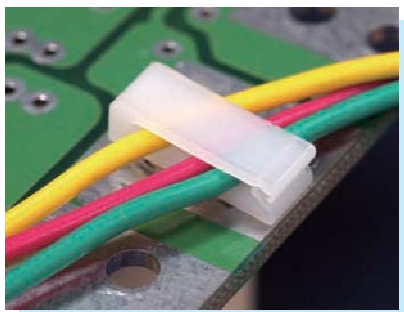
- ◆ MATERIAL: NYLON 66 (UL)
- ◆ FLAME CLASS: 94V-2/94V-0
- ◆ COLOR: NATURAL/BLACK
- ◆ UNIT: mm



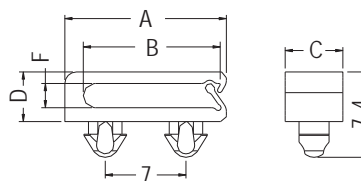
CHASSIS: ØG  
THICKNESS: T

PART NO	A	B	C	D	F	G	T	PACKAGE
MWS-4	14.0	11.0	5.0	4.2	1.9	3.0	0.8-1.0	2000

# WIRE MOUNT



- ◆ MATERIAL: NYLON 66 (UL)
- ◆ FLAME CLASS: 94V-2/94V-0
- ◆ COLOR: NATURAL/BLACK
- ◆ UNIT: mm



CHASSIS: ØG  
THICKNESS: T

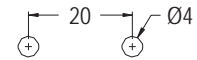
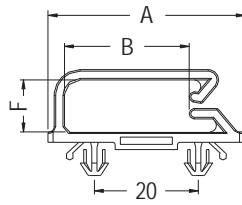
PART NO	A	B	C	D	F	G	T	PACKAGE
MIS-18	14.0	11.9	5.0	4.3	2.1	3.0	0.8-1.0	1000





# WIRE MOUNT

- ◆ MATERIAL: NYLON 66 (UL)
- ◆ FLAME CLASS: 94V-2/94V-0
- ◆ COLOR: NATURAL/BLACK
- ◆ UNIT: mm

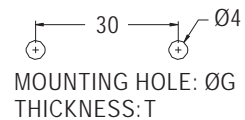
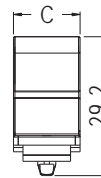
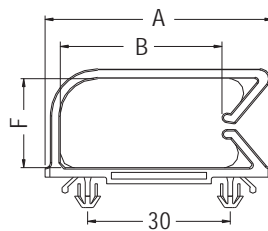


MOUNTING HOLE: ØG  
THICKNESS: T

PARTNO	A	B	C	F	G	T	PACKAGE
MIBA-1	37.9	24.0	14.0	18.7	4.0	0.8~2.0	500
MIBA-2	37.9	24.0	14.0	10.0	4.0	0.8~2.0	

# WIRE MOUNT

- ◆ MATERIAL: NYLON 66 (UL)
- ◆ FLAME CLASS: 94V-2/94V-0
- ◆ COLOR: NATURAL/BLACK
- ◆ UNIT: mm

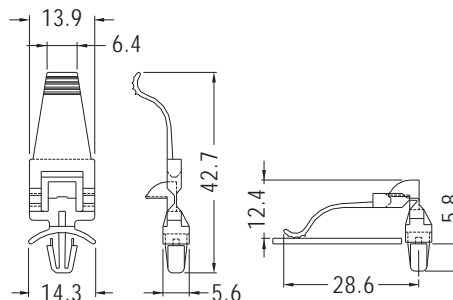
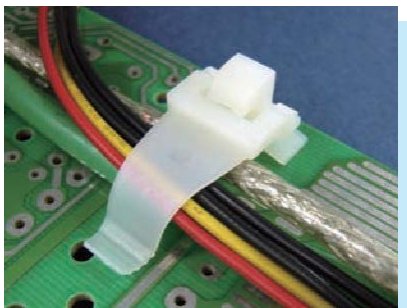


MOUNTING HOLE: ØG  
THICKNESS: T

PARTNO	A	B	C	F	G	T	PACKAGE
MIBA-3	47.9	34.0	14.0	18.7	4.0	0.8~2.0	500

# CABLE CLAMP

- ◆ MATERIAL: NYLON 66 (UL)
- ◆ FLAME CLASS: 94V-2/94V-0
- ◆ COLOR: NATURAL/BLACK
- ◆ UNIT: mm



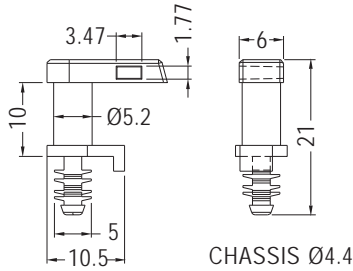
CHASSIS Ø4.8  
THICKNESS 1.2~2.0

PARTNO	PACKAGE
HFCC-12	1000

## FAN CABLE TIE MOUNT



- ◆ MATERIAL: NYLON 66 (UL)
- ◆ FLAME CLASS: 94V-2/94V-0
- ◆ COLOR: NATURAL/BLACK
- ◆ UNIT: mm

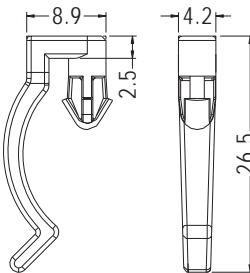


PART NO	PACKAGE
WKM-10	500

## FAN CABLE TIE MOUNT



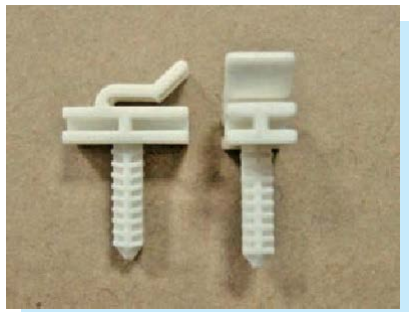
- ◆ MATERIAL: NYLON 66 (UL)
- ◆ FLAME CLASS: 94V-2/94V-0
- ◆ COLOR: NATURAL/BLACK
- ◆ UNIT: mm



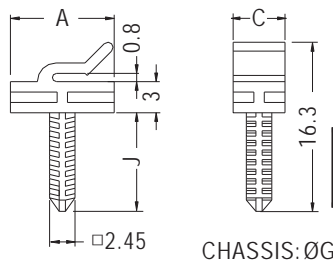
MOUNTING HOLE Ø4.3  
CHASSIS THICKNESS 4.0

PART NO	PACKAGE
WKA-1	1000

## WIRE MOUNT



- ◆ MATERIAL: NYLON 66 (UL)
- ◆ FLAME CLASS: 94V-2/94V-0
- ◆ COLOR: NATURAL/BLACK
- ◆ UNIT: mm

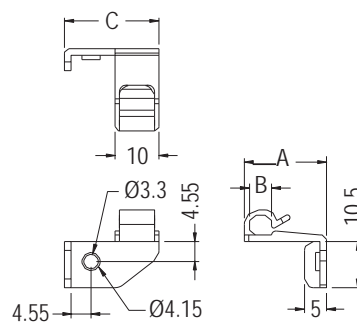


PART NO	A	C	G	J	PACKAGE
WSBC-1	10.0	5.0	3.0	9.5	1000

## WIRE MOUNT



- ◆ MATERIAL: NYLON 66 (UL)
- ◆ FLAME CLASS: 94V-2/94V-0
- ◆ COLOR: NATURAL/WHITE/BLACK
- ◆ UNIT: mm

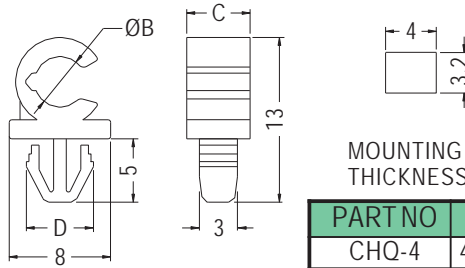


PART NO	A	B	C	PACKAGE
MISA-4	18.7	5.0	21.5	1000

## HARNESS CLIP STANDOFF



- ◆ MATERIAL: NYLON 66 (UL)
- ◆ FLAME CLASS: 94V-2/94V-0
- ◆ COLOR: NATURAL/BLACK
- ◆ UNIT: mm



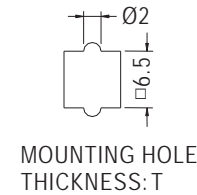
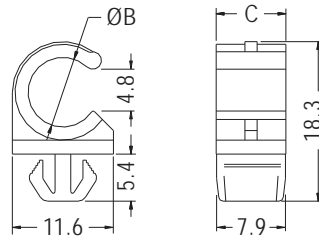
MOUNTING HOLE THICKNESS: T

PART NO	B	C	D	T	PACKAGE
CHQ-4	4.0	5.0	5.3	1.0~1.6	1000
CHQ-4L	4.0	5.0	5.5	1.0~1.6	

## HARNESS CLIP STANDOFF



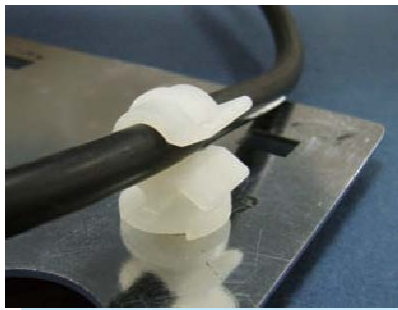
- ◆ MATERIAL: NYLON 66 (UL)
- ◆ FLAME CLASS: 94V-2/94V-0
- ◆ COLOR: NATURAL/BLACK
- ◆ UNIT: mm



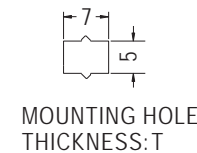
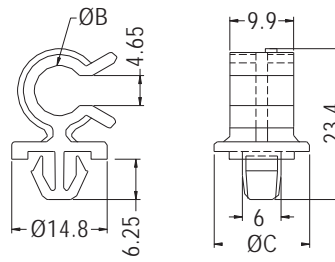
MOUNTING HOLE THICKNESS: T

PART NO	B	C	T	PACKAGE
CH-9	8.0	8.0	0.8~1.6	1000

## HARNESS CLIP STANDOFF



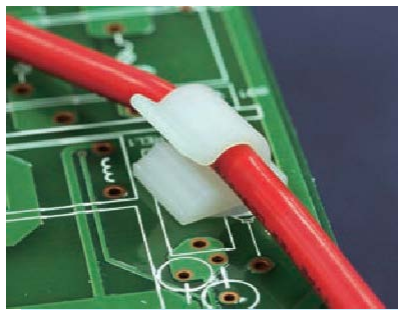
- ◆ MATERIAL: NYLON 66 (UL)
- ◆ FLAME CLASS: 94V-2/94V-0
- ◆ COLOR: NATURAL/BLACK
- ◆ UNIT: mm



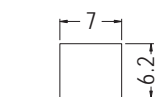
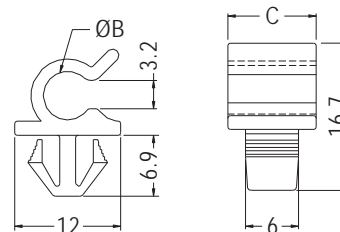
MOUNTING HOLE THICKNESS: T

PART NO	B	C	T	PACKAGE
CH-12	7.8	14.8	0.8~1.2	1000

## HARNESS CLIP STANDOFF



- ◆ MATERIAL: NYLON 66 (UL)
- ◆ FLAME CLASS: 94V-2/94V-0
- ◆ COLOR: NATURAL/BLACK
- ◆ UNIT: mm

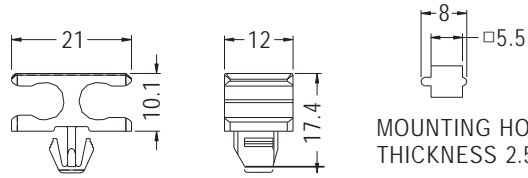


MOUNTING HOLE THICKNESS: T

PART NO	B	C	T	PACKAGE
CHQC-1	5.5	10.0	2.0	1000

# HARNESS CLIP STANDOFF

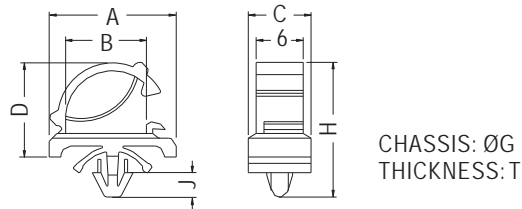
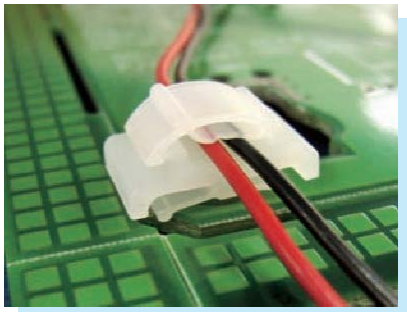
- ◆ MATERIAL: NYLON 66 (UL)
- ◆ FLAME CLASS: 94V-2/94V-0
- ◆ COLOR: NATURAL/BLACK
- ◆ UNIT: mm



PART NO	PACKAGE
CHQE-1	1000

# WIRE MOUNT

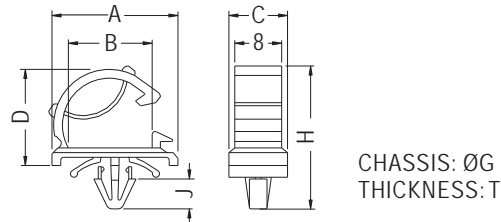
- ◆ MATERIAL: NYLON 66 (UL)
- ◆ FLAME CLASS: 94V-2/94V-0
- ◆ COLOR: NATURAL/BLACK
- ◆ UNIT: mm



PARTNO	A	B	C	D	G	H	J	T	PACKAGE
WLO-1	13.5	6.2	8.0	8.2	3.5	14.0	3.1	0.8-2.0	1000
WLO-1-2.5	13.5	6.2	8.0	8.6	3.5	14.6	3.1	0.8-2.5	
WLO-2	16.2	10.3	8.0	12.0	3.5	17.6	3.1	0.8-2.0	
WLO-2-2.5	16.2	10.3	8.0	12.0	3.5	18.0	3.1	0.8-2.5	

# WIRE MOUNT

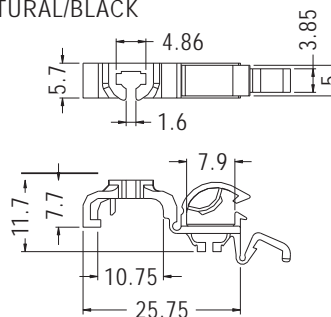
- ◆ MATERIAL: NYLON 66 (UL)
- ◆ FLAME CLASS: 94V-2/94V-0
- ◆ COLOR: NATURAL/BLACK
- ◆ UNIT: mm



PARTNO	A	B	C	D	G	H	J	T	PACKAGE
WLO-3	21.5	14.3	10.0	16.4	4.8	24.6	5.1	0.8-2.5	500

# WIRE MOUNT

- ◆ MATERIAL: NYLON 66 (UL)
- ◆ FLAME CLASS: 94V-2/94V-0
- ◆ COLOR: NATURAL/BLACK
- ◆ UNIT: mm



PARTNO	PACKAGE
EMF-6	500

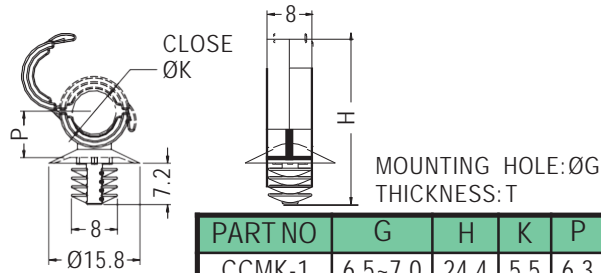




# WIRE MOUNT



- ◆ MATERIAL: NYLON 66 (UL)
- ◆ FLAME CLASS: 94V-2/94V-0
- ◆ COLOR: NATURAL/BLACK
- ◆ UNIT: mm

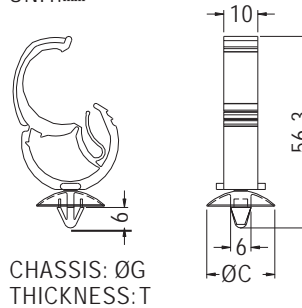


PART NO	G	H	K	P	T	PACKAGE
CCMK-1	6.5~7.0	24.4	5.5	6.3	0.8~9.0	1000
CCMK-2	6.5~7.0	29.8	8.0	7.7	0.8~9.0	

# WIRE MOUNT



- ◆ MATERIAL: NYLON 66 (UL)
- ◆ FLAME CLASS: 94V-2/94V-0
- ◆ COLOR: NATURAL/BLACK
- ◆ UNIT: mm

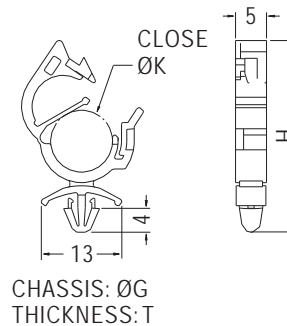


PART NO	C	G	T	PACKAGE
CCMI-1	20.0	6.2~6.7	0.5~2.0	1000

# WIRE MOUNT

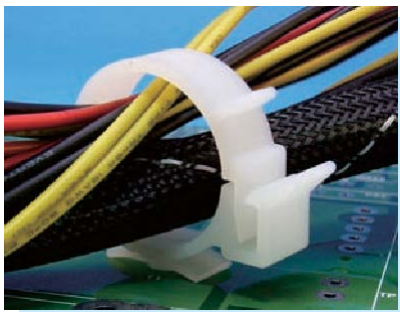


- ◆ MATERIAL: NYLON 66 (UL)
- ◆ FLAME CLASS: 94V-2/94V-0
- ◆ COLOR: NATURAL/BLACK
- ◆ UNIT: mm

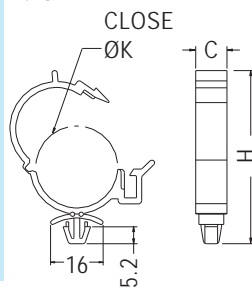


PART NO	G	H	K	T	PACKAGE
CHN-7.6	4.0	26.7	7.6	0.8~1.6	500
CHN-10	4.0	31.0	10.0	0.8~1.6	
CHN-12	4.0	34.4	12.0	0.8~1.6	

# WIRE MOUNT



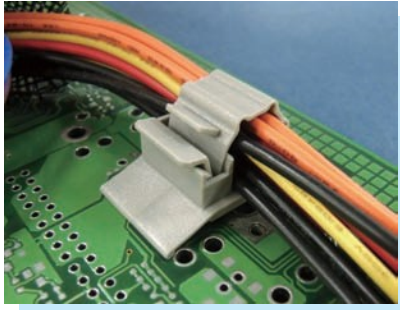
- ◆ MATERIAL: NYLON 66 (UL)
- ◆ FLAME CLASS: 94V-2/94V-0
- ◆ COLOR: NATURAL/BLACK
- ◆ UNIT: mm



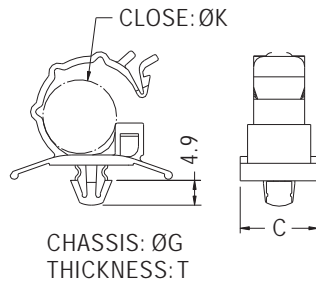
PART NO	C	G	H	K	T	PACKAGE
FWT-25	9.5	6.5	52.8	25.0	0.8~1.6	100
FWT-30	9.5	6.5	59.7	30.0	0.8~2.0	



# WIRE MOUNT



- ◆ MATERIAL: NYLON 66 (UL)
- ◆ FLAME CLASS: 94V-2/94V-0
- ◆ COLOR: NATURAL/BLACK/GRAY
- ◆ UNIT: mm

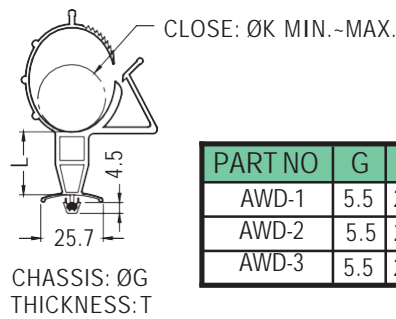


PARTNO	C	G	K	T	PACKAGE
CKS-7	15.0	6.4	7.0	0.8~2.3	200
CKS-10	17.2	6.4	10.3	0.8~2.3	
CKS-13-L	19.2	6.4	13.0	0.5~2.3	
CKS-14	19.3	6.4	14.8	0.8~2.3	
CKS-16-L	21.3	6.4	16.0	0.5~2.3	
CKS-20-L	23.2	6.4	20.0	0.5~2.3	
CKS-20-H	23.2	6.4	20.0	2.3~4.1	

# T8 LAMP MOUNT

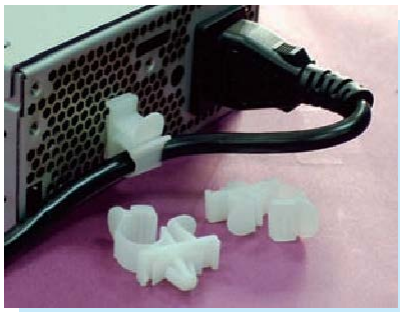


- ◆ MATERIAL: NYLON 66 (UL)
- ◆ FLAME CLASS: 94V-2/94V-0
- ◆ COLOR: NATURAL/BLACK
- ◆ UNIT: mm

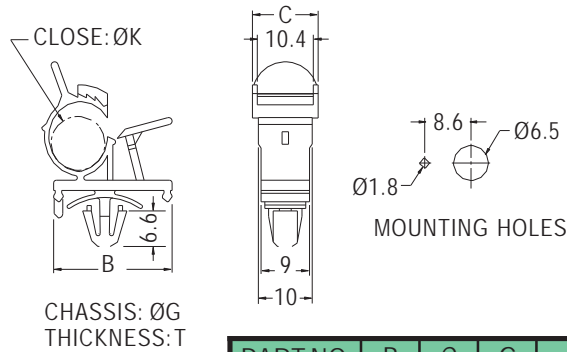


PARTNO	G	K	L	T	PACKAGE
AWD-1	5.5	27.8~33.8	26.0	1.0~1.2	50
AWD-2	5.5	27.8~33.8	9.0	1.0~1.2	100
AWD-3	5.5	27.8~33.8	26.0	1.0~1.2	50

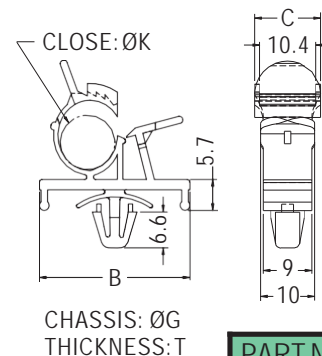
# WIRE MOUNT



- ◆ MATERIAL: NYLON 66 (UL)
- ◆ FLAME CLASS: 94V-2/94V-0
- ◆ COLOR: NATURAL/BLACK
- ◆ UNIT: mm



PARTNO	B	C	G	K	T	PACKAGE
AWK-10	22.0	12.2	6.5	7.0~9.5	0.8~1.6	2000



PARTNO	B	C	G	K	T	PACKAGE
AWK-16	27.6	12.2	6.5	7.0~9.5	0.8~2.5	1000

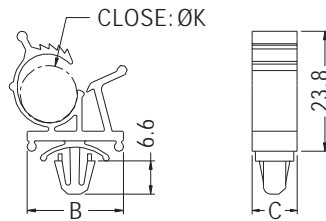


# WIRE MOUNT

**NEW**



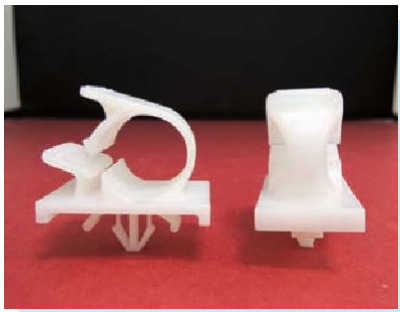
- ◆ MATERIAL: NYLON 66 (UL)
- ◆ FLAME CLASS: 94V-2/94V-0
- ◆ COLOR: NATURAL/WHITE/BLACK
- ◆ UNIT: mm



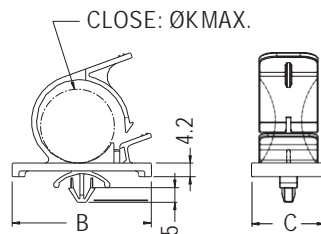
MOUNTING HOLE: ØG  
THICKNESS: T

PART NO	B	C	G	K	T	PACKAGE
AWKA-1	19.1	8.9	6.35	7.9~10.2	0.8~1.5	500

# WIRE MOUNT



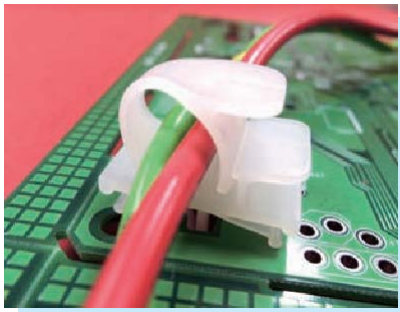
- ◆ MATERIAL: NYLON 66 (UL)
- ◆ FLAME CLASS: 94V-2/94V-0
- ◆ COLOR: NATURAL/BLACK
- ◆ UNIT: mm



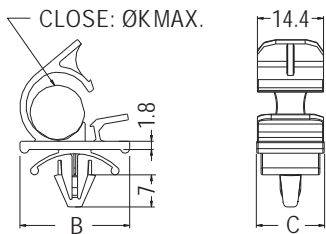
MOUNTING HOLE: ØG  
THICKNESS: T

PART NO	B	C	G	K	T	PACKAGE
FWK-5	31.8	19.3	5.0~6.0	12.7	0.6~2.7	1000

# WIRE MOUNT



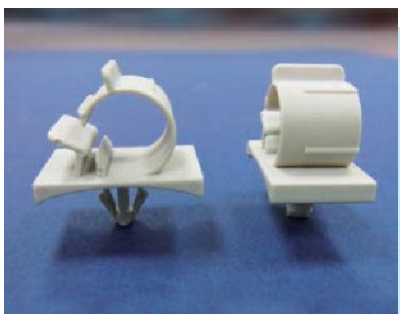
- ◆ MATERIAL: NYLON 66 (UL)
- ◆ FLAME CLASS: 94V-2/94V-0
- ◆ COLOR: NATURAL/BLACK
- ◆ UNIT: mm



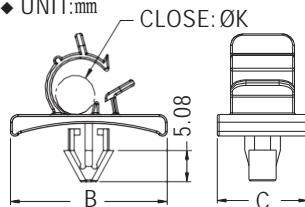
MOUNTING HOLE: ØG  
THICKNESS: T

PART NO	B	C	G	K	T	PACKAGE
FWKA-1	23.9	14.7	6.5~7.0	9.5	0.6~2.7	250

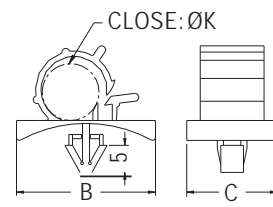
# WIRE MOUNT



- ◆ MATERIAL: NYLON 66 (UL)
- ◆ FLAME CLASS: 94V-2/94V-0
- ◆ COLOR: NATURAL/BLACK/GRAY
- ◆ UNIT: mm



CHASSIS: ØG  
THICKNESS: T

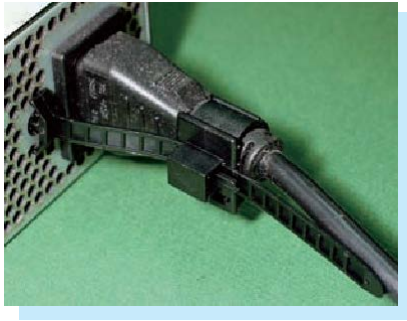


CHASSIS: ØG  
THICKNESS: T

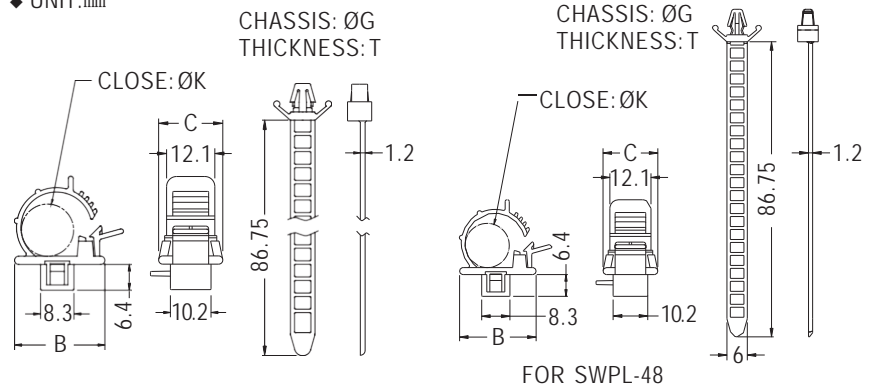
FOR WL-1

PART NO	B	C	G	K	T	PACKAGE
WL-1	25.7	16.8	6.5	10.5	0.8~1.6	500
WL-2	35.05	22.35	6.35	19.05	0.5~2.0	100
WL-3	25.4	14.73	6.35	6.35	2.3~3.8	500
WL-4	25.4	16.51	6.35	9.52	2.3~3.8	



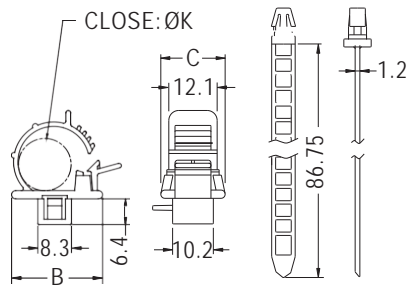


- ◆ MATERIAL: NYLON 66 (UL)
- ◆ FLAME CLASS: 94V-2/94V-0
- ◆ COLOR: BLACK
- ◆ UNIT: mm



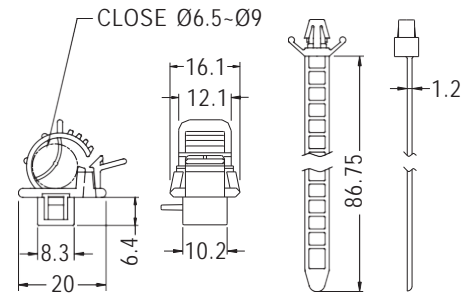
PART NO	B	C	G	K	T	PACKAGE
SWPL-1	22.5	16.1	4.8	11.0~13.0	0.8~2.0	100
SWPL-4	22.5	16.1	4.8	12.0~15.0	0.8~2.0	
SWPL-6	22.5	16.1	3.5	11.0~13.0	0.8~2.0	
SWPL-8	29.5	16.1	4.8	19.0~22.0	0.8~2.0	
SWPL-48	22.5	16.1	4.0	11.0~13.0	0.8~2.0	

CHASSIS: ØG  
THICKNESS: T



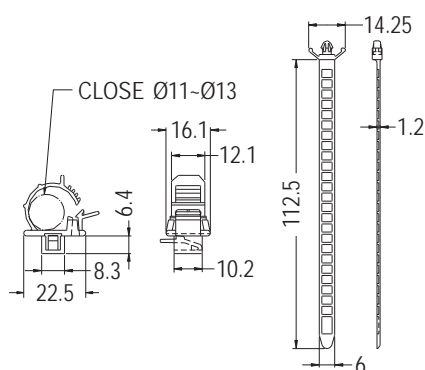
PART NO	B	C	G	K	T	PACKAGE
SWPL-2	22.5	16.1	4.8	11.0~13.0	2.0~3.0	100
SWPL-11	22.5	16.1	4.0	11.0~13.0	0.6~1.2	
SWPL-27	22.5	16.1	4.8	11.0~13.0	0.6~1.2	

CHASSIS Ø4.8  
THICKNESS 0.8~2.0



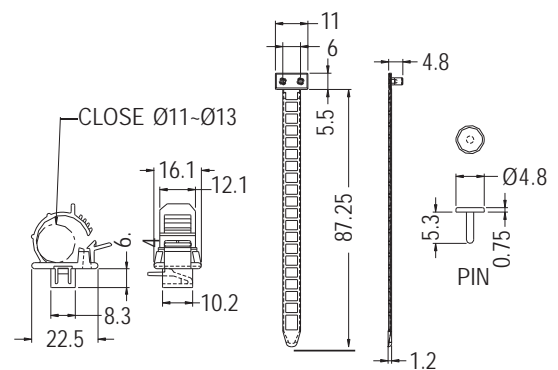
PART NO	PACKAGE
SWPL-3	100

CHASSIS Ø3.5  
THICKNESS 0.8~2.0



PART NO	PACKAGE
SWPL-22	100

MOUNTING HOLE: ØG  
THICKNESS 1.8 MAX.



PART NO	G	PACKAGE
SWPL-37	2.5	100
★ SWPL-37BS	2.3	

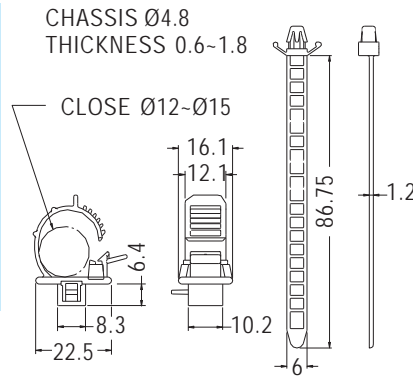
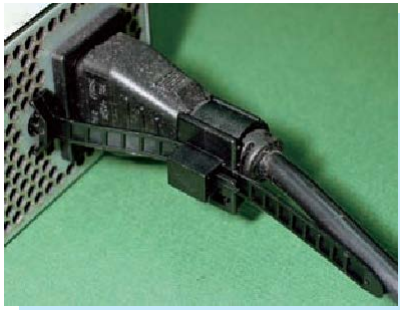




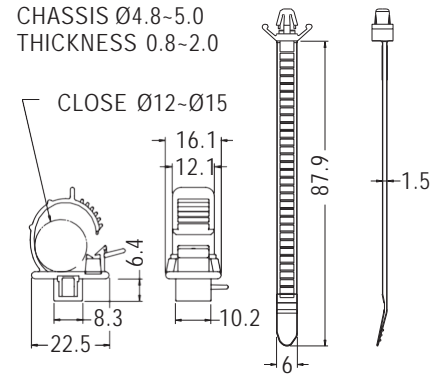
# WIRE MOUNT

**NEW**

- ◆ MATERIAL: NYLON 66 (UL)
- ◆ FLAME CLASS: 94V-2/94V-0
- ◆ COLOR: BLACK
- ◆ UNIT: mm



PART NO	PACKAGE
SWPL-57	100



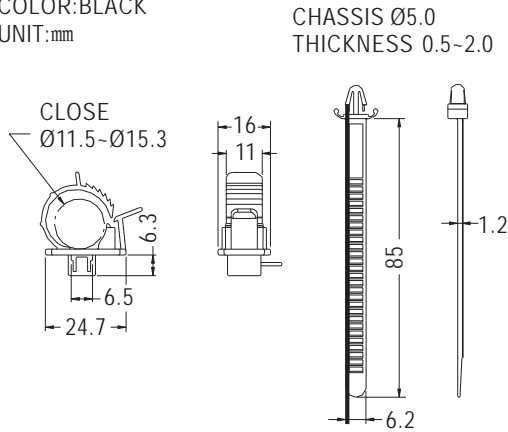
PART NO	PACKAGE
SWPL-58	100

4

# WIRE MOUNT

**NEW**

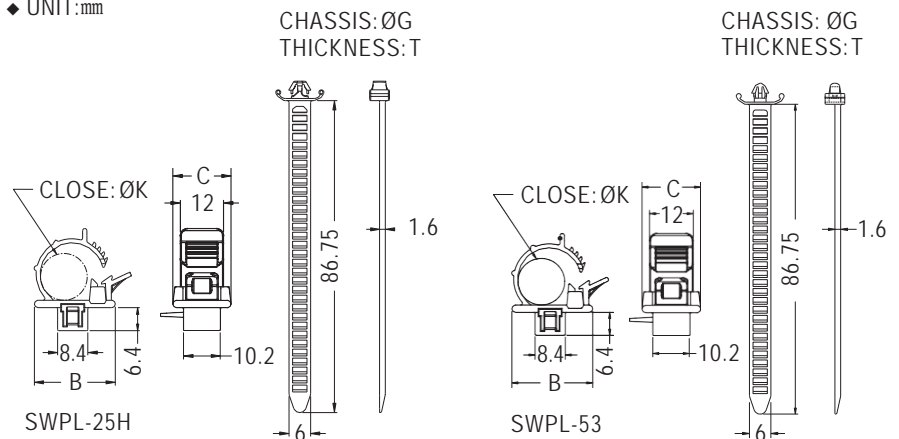
- ◆ MATERIAL: NYLON 66 (UL)
- ◆ FLAME CLASS: 94V-2/94V-0
- ◆ COLOR: BLACK
- ◆ UNIT: mm



PART NO	PACKAGE
SWPL-65	100

# WIRE MOUNT

- ◆ MATERIAL: NYLON 66 (UL)
- ◆ FLAME CLASS: 94V-2/94V-0
- ◆ COLOR: BLACK
- ◆ UNIT: mm



SWPL-25H

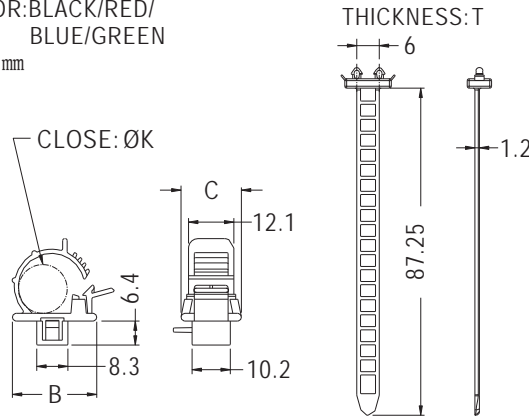
SWPL-53

PART NO	B	C	G	K	T	PACKAGE
SWPL-25H	22.5	16.1	4.8	11.0~13.0	0.8~2.0	100
SWPL-53	22.5	16.1	3.5	11.0~13.0	0.8~2.0	



# WIRE MOUNT

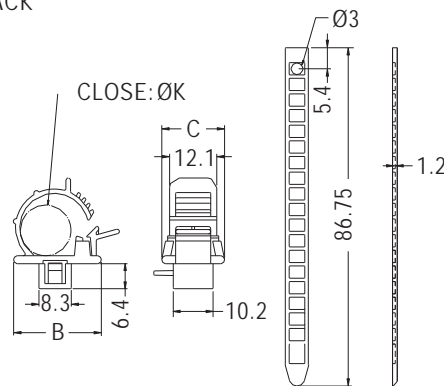
- ◆ MATERIAL: NYLON 66 (UL)
- ◆ FLAME CLASS: 94V-2/94V-0
- ◆ COLOR: BLACK/RED/  
BLUE/GREEN
- ◆ UNIT: mm



PART NO	B	C	G	K	T	PACKAGE
SWPL-15S	22.5	16.1	2.2	11.0~13.0	0.8~1.0	100

# WIRE MOUNT

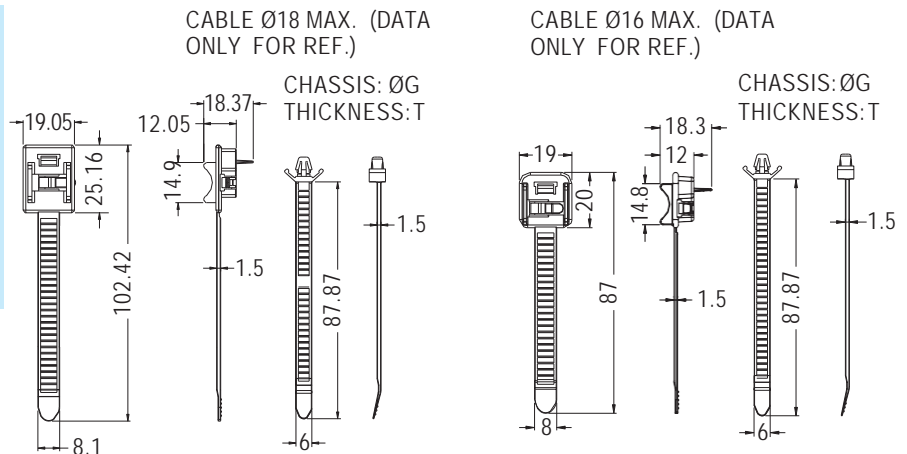
- ◆ MATERIAL: NYLON 66 (UL)
- ◆ FLAME CLASS: 94V-2/94V-0
- ◆ COLOR: BLACK
- ◆ UNIT: mm



PART NO	B	C	K	PACKAGE
SWPL-19H	22.5	16.1	11.0~13.0	100

# WIRE MOUNT

- ◆ MATERIAL: NYLON 66 (UL)
- ◆ FLAME CLASS: 94V-2/94V-0
- ◆ COLOR: BLACK
- ◆ UNIT: mm



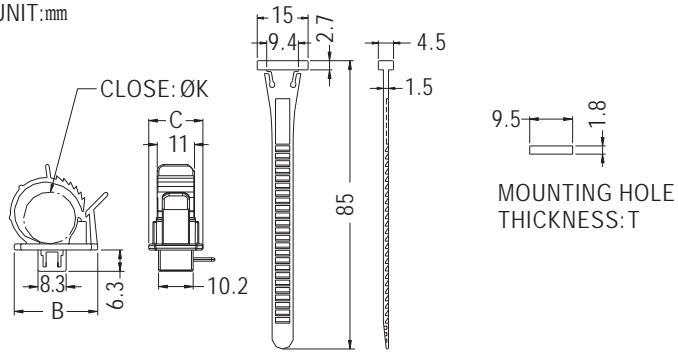
PART NO	G	T	PACKAGE
SWPL-16	4.8	0.8~2.0	500

PART NO	G	T	PACKAGE
SWPL-21	4.8	0.8~2.0	500



# WIRE MOUNT

- ◆ MATERIAL:NYLON 66 (UL)
- ◆ FLAME CLASS:94V-2/94V-0
- ◆ COLOR:BLACK
- ◆ UNIT:mm

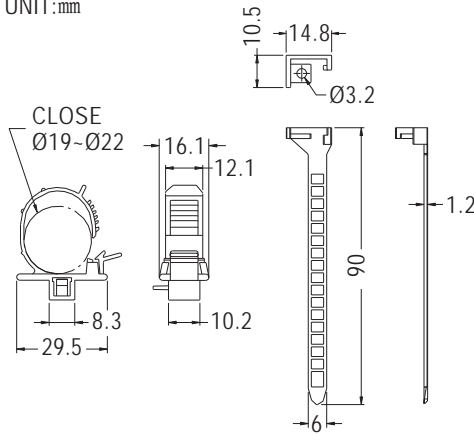


PART NO	B	C	K	T	PACKAGE
SWPL-23	24.7	16.0	11.5-15.3	0.8	100

# WIRE MOUNT



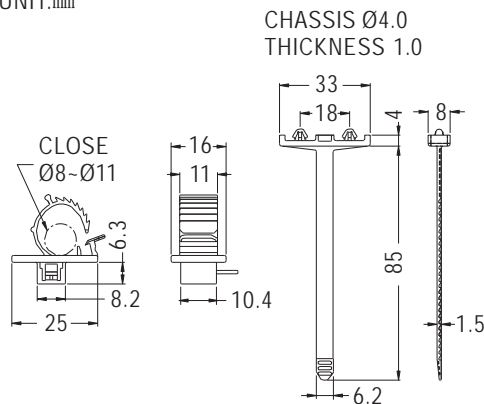
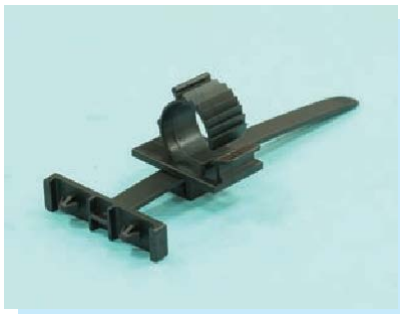
- ◆ MATERIAL:NYLON 66 (UL)
- ◆ FLAME CLASS:94V-2/94V-0
- ◆ COLOR:BLACK
- ◆ UNIT:mm



PART NO	PACKAGE
SWPL-43H	100

# WIRE MOUNT

- ◆ MATERIAL:NYLON 66 (UL)
- ◆ FLAME CLASS:94V-2/94V-0
- ◆ COLOR:BLACK
- ◆ UNIT:mm

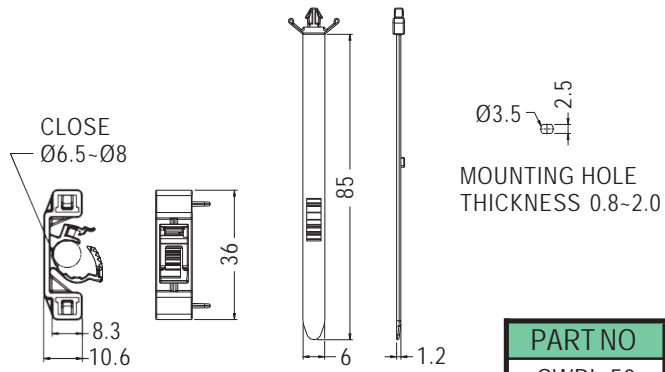


PART NO	PACKAGE
SWPL-46	100



# WIRE MOUNT

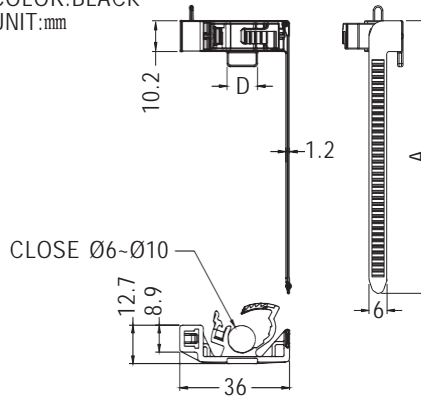
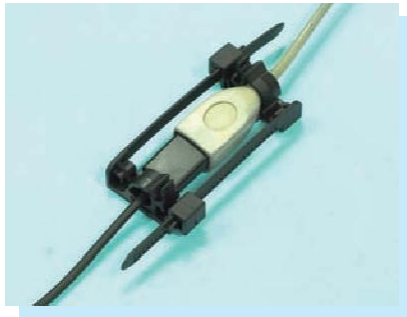
- ◆ MATERIAL: NYLON 66 (UL)
- ◆ FLAME CLASS: 94V-2/94V-0
- ◆ COLOR: BLACK
- ◆ UNIT: mm



PART NO	PACKAGE
SWPL-50	100

# WIRE MOUNT

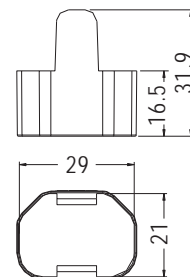
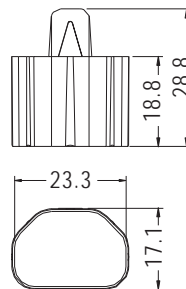
- ◆ MATERIAL: NYLON 66 (UL)
- ◆ FLAME CLASS: 94V-2/94V-0
- ◆ COLOR: BLACK
- ◆ UNIT: mm



PART NO	A	D	PACKAGE
SWPL-52	90.17	10.0	100
★ SWPL-55	90.2		
★ SWPL-59	115.2	10.0	

# POWER PLUG MOUNT

- ◆ MATERIAL: NYLON 66 (UL)
- ◆ FLAME CLASS: 94V-2/94V-0
- ◆ COLOR: NATURAL/BLACK
- ◆ UNIT: mm



PART NO	PACKAGE
SWKL-1	1000

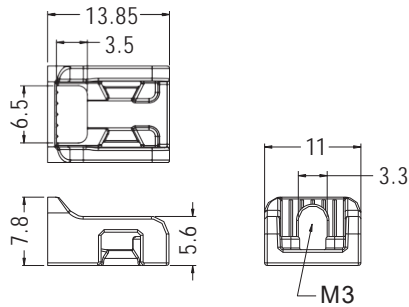
PART NO	PACKAGE
SWKL-2	1000



# HDMI MOUNT

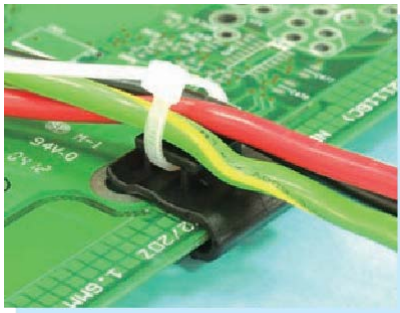


- ◆ MATERIAL:NYLON 66 (UL)
- ◆ FLAME CLASS:94V-2/94V-0
- ◆ COLOR:BLACK
- ◆ UNIT:mm

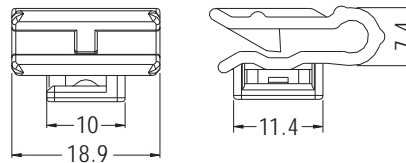


PARTNO	PACKAGE
SWCM-1	1000

# CABLE TIE MOUNT

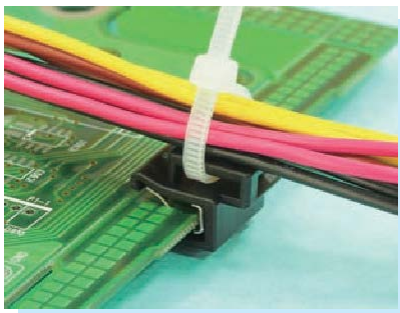


- ◆ MATERIAL:NYLON 66 (UL)
- ◆ FLAME CLASS:94V-2/94V-0
- ◆ COLOR:BLACK
- ◆ UNIT:mm

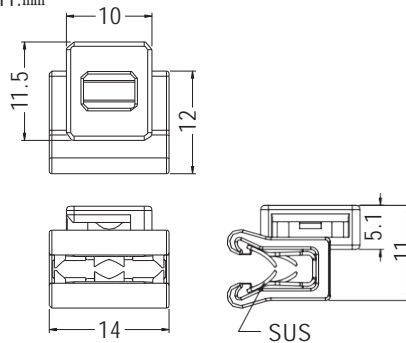


PARTNO	PACKAGE
SWPC-1	500

# CABLE TIE MOUNT



- ◆ MATERIAL:NYLON 66 (UL)
- ◆ FLAME CLASS:94V-2/94V-0
- ◆ COLOR:BLACK
- ◆ UNIT:mm



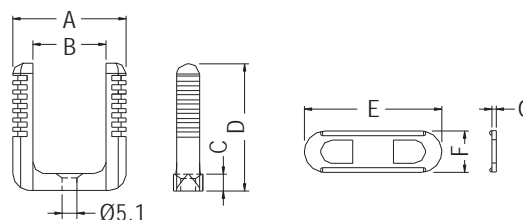
PARTNO	PACKAGE
SWPC-2	1000

RECOMMEND SUITABLE FOR THICKNESS 1.5~2.0

# WIRE MOUNT



- ◆ MATERIAL:NYLON 66 (UL)
- ◆ FLAME CLASS:94V-2/94V-0
- ◆ COLOR:NATURAL/BLACK
- ◆ UNIT:mm

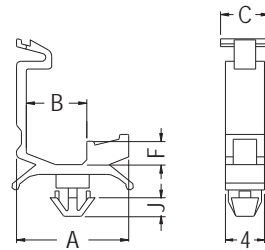
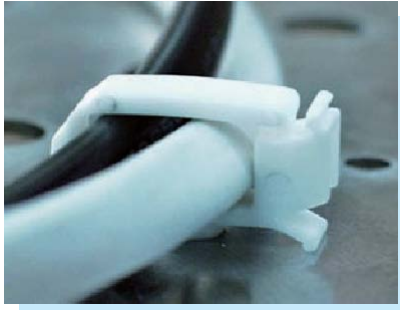


PARTNO	A	B	C	D	E	F	G	PACKAGE
DC-1	38.9	25.1	5.8	43.7	47.2	14.2	1.5	100
DC-1.5	55.2	37.0	7.9	56.6	62.7	17.8	1.2	



# WIRE SADDLE

- ◆ MATERIAL: NYLON 66 (UL)
- ◆ FLAME CLASS: 94V-2/94V-0
- ◆ COLOR: NATURAL/WHITE/BLACK
- ◆ UNIT: mm

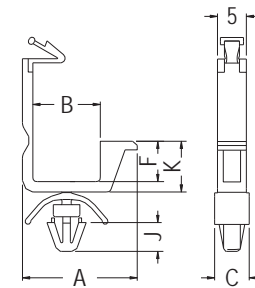


CHASSIS: ØG  
THICKNESS: T

PART NO	A	B	C	F	G	J	T	PACKAGE
CHI-3	11.5	6.2	5.0	2.4	3.5	1.9	0.8-2.2	1000
CHI-6	16.5	11.0	5.0	4.5	3.5	1.9	0.5-1.8	

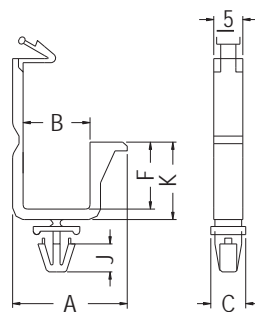
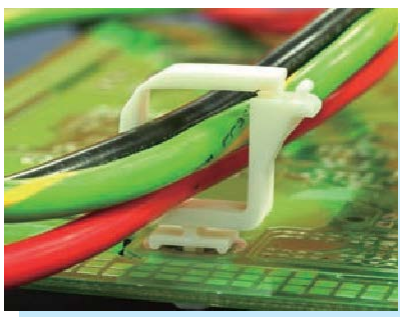
# WIRE SADDLE

- ◆ MATERIAL: NYLON 66 (UL)
- ◆ FLAME CLASS: 94V-2/94V-0
- ◆ COLOR: NATURAL/WHITE/BLACK
- ◆ UNIT: mm



CHASSIS: ØG  
THICKNESS: T

PART NO	A	B	C	F	G	J	K	T	PACKAGE
CHK-6	19.8	11.6	6.0	5.2	4.8	5.0	7.0	0.8-3.5	1000
CHK-8	19.8	11.6	6.0	7.0	4.8	5.0	8.8	0.8-3.5	
CHK-12	19.8	11.6	6.0	12.4	4.8	5.0	14.2	0.8-3.5	500



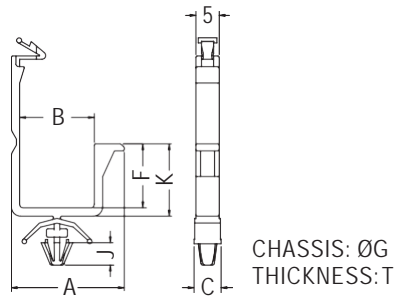
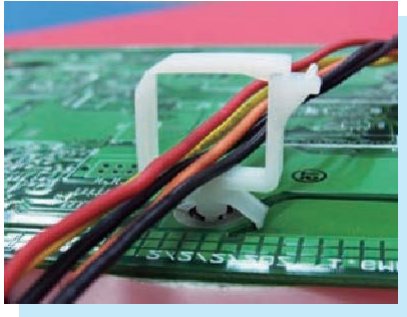
CHASSIS: ØG  
THICKNESS: T

PART NO	A	B	C	F	G	J	K	T	PACKAGE
CHK-13	19.7	11.5	6.0	11.5	4.8	4.8	13.3	1.6	500



# WIRE SADDLE

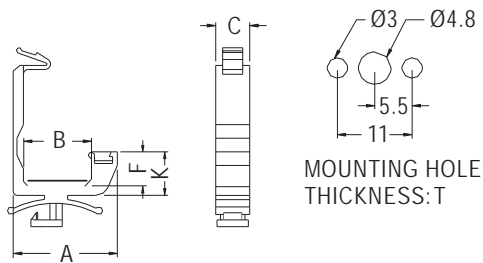
- ◆ MATERIAL: NYLON 66 (UL)
- ◆ FLAME CLASS: 94V-2/94V-0
- ◆ COLOR: NATURAL/BLACK
- ◆ UNIT: mm



PART NO	A	B	C	F	G	J	K	T	PACKAGE
CHK-14	24.2	16.0	5.8	13.7	4.8	4.8	15.5	2.0-3.0	500
CHK-15	26.7	18.5	5.8	22.3	4.8	4.8	24.1	2.0-3.0	

# WIRE MOUNT

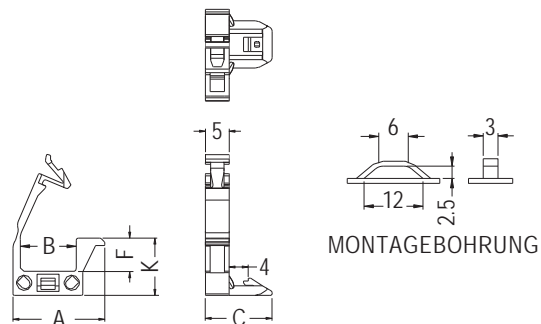
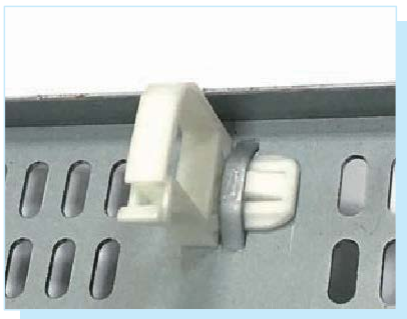
- ◆ MATERIAL: NYLON 66 (UL)
- ◆ FLAME CLASS: 94V-2/94V-0
- ◆ COLOR: NATURAL/BLACK
- ◆ UNIT: mm



PART NO	A	B	C	F	K	T	PACKAGE
CHWA-2	15.3	10.0	5.0	5.0	6.4	0.5-1.6	500

# WIRE MOUNT

- ◆ MATERIAL: NYLON 66 (UL)
- ◆ FLAME CLASS: 94V-2/94V-0
- ◆ COLOR: NATURAL/WHITE/BLACK
- ◆ UNIT: mm

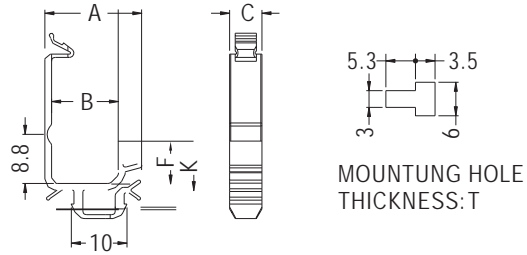


PART NO	A	B	C	F	K	PACKAGE
CHCK-1	19.25	11.74	14.0	6.95	12.0	500
★ CHCK-2	19.25	11.7	14.0	12.65	17.7	



# WIRE MOUNT

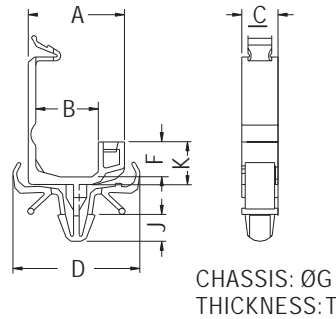
- ◆ MATERIAL: NYLON 66 (UL)
- ◆ FLAME CLASS: 94V-2/94V-0
- ◆ COLOR: NATURAL
- ◆ UNIT: mm



PARTNO	A	B	C	F	K	T	PACKAGE
CHWK-1	17.4	12.0	5.8	7.6	8.8	0.8	500

# WIRE MOUNT

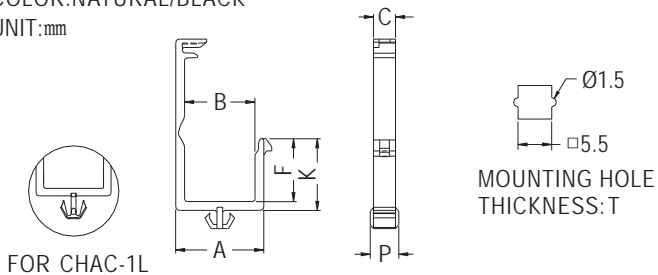
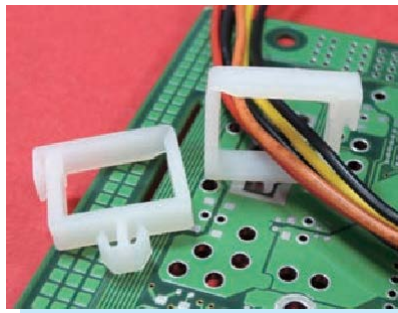
- ◆ MATERIAL: NYLON 66 (UL)
- ◆ FLAME CLASS: 94V-2/94V-0
- ◆ COLOR: NATURAL/BLACK
- ◆ UNIT: mm



PARTNO	A	B	C	D	F	G	J	K	T	PACKAGE
CHWS-6	15.4	10.0	5.8	20.31	5.6	4.8	4.3	6.8	0.8~2.3	1000
★ CHWS-8.5	16.4	11.0	5.8	21.31	8.1	4.8	4.3	9.3	0.8~2.3	
CHWS-12	18.3	12.0	5.8	20.31	11.6	4.8	4.3	13.3	0.8~2.3	500
★ CHWS-14	21.4	16.0	5.8	23.31	13.6	4.8	4.3	14.8	0.8~2.3	
★ CHWS-20	25.4	20.0	5.8	27.31	19.6	4.8	4.3	20.8	0.8~2.3	
★ CHWS-30	31.4	25.6	5.8	33.31	29.4	4.8	4.3	30.8	0.8~2.3	250

# WIRE SADDLE

- ◆ MATERIAL: NYLON 66 (UL)
- ◆ FLAME CLASS: 94V-2/94V-0
- ◆ COLOR: NATURAL/BLACK
- ◆ UNIT: mm



FOR CHAC-1L

PARTNO	A	B	C	F	K	P	T	PACKAGE
CHAC-1	20.0	16.0	5.0	14.3	16.3	6.5	1.0	1000
CHAC-1L	20.0	16.0		14.3	16.3	6.7	2.0	
CHAC-2	15.1	11.1		10.5	12.5	6.5	1.0	
CHAC-3	15.1	11.1		5.3	7.3	6.5	1.0	

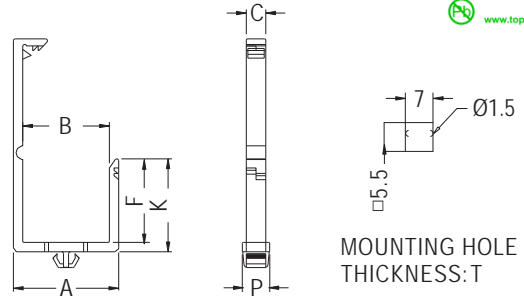




# WIRE SADDLE



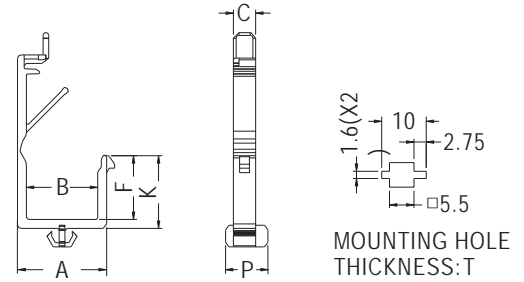
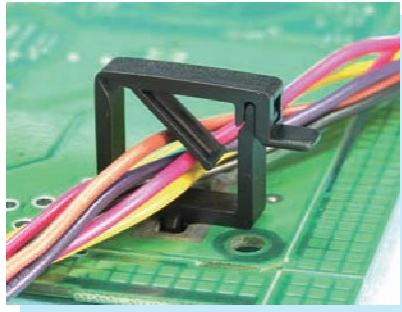
- ◆ MATERIAL: NYLON 66 (UL)
- ◆ FLAME CLASS: 94V-2/94V-0
- ◆ COLOR: NATURAL/BLACK
- ◆ UNIT: mm



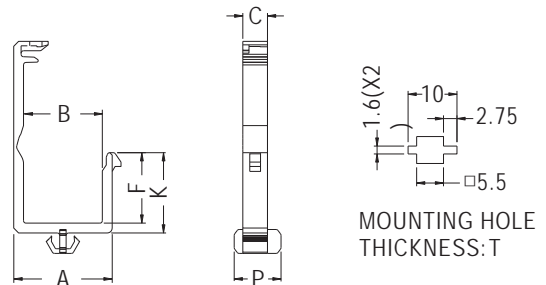
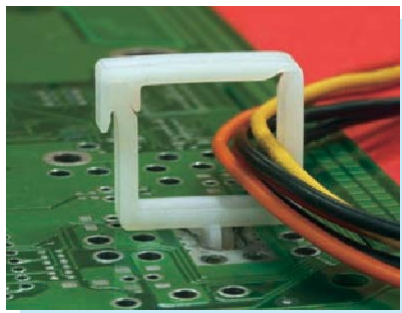
PART NO	A	B	C	F	K	P	T	PACKAGE
CHAC-4	27.0	22.2	5.0	21.4	23.8	7.0	0.8~1.0	500

# WIRE SADDLE

- ◆ MATERIAL: NYLON 66 (UL)
- ◆ FLAME CLASS: 94V-2/94V-0
- ◆ COLOR: NATURAL/BLACK
- ◆ UNIT: mm



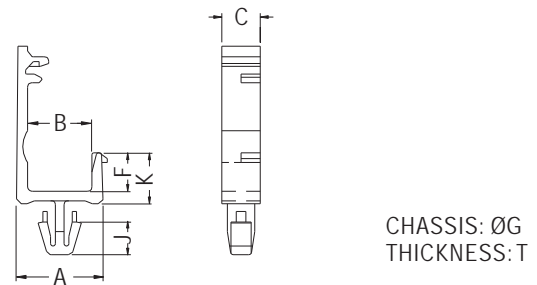
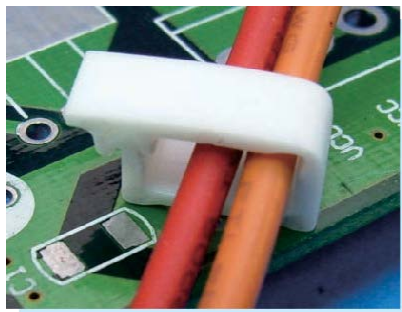
PART NO	A	B	C	F	K	P	T	PACKAGE
CHACA-1	20.0	16.0	5.0	14.3	16.3	9.5	1.0	1000



PART NO	A	B	C	F	K	P	T	PACKAGE
CHAC-5-1	20.0	16.0	5.0	14.3	16.3	9.5	1.0	1000

# WIRE SADDLE

- ◆ MATERIAL: NYLON 66 (UL)
- ◆ FLAME CLASS: 94V-2/94V-0
- ◆ COLOR: NATURAL/BLACK
- ◆ UNIT: mm

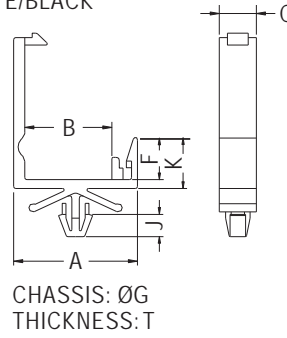


PART NO	A	B	C	F	G	J	K	T	PACKAGE
CHL-3	9.0	6.7	4.0	4.0	3.0	3.4	5.3	1.2~1.7	1000



# WIRE SADDLE

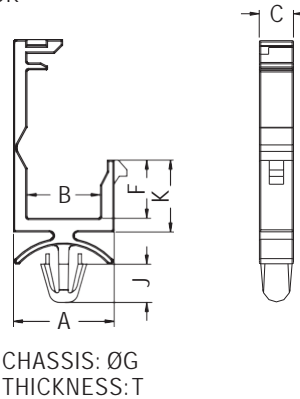
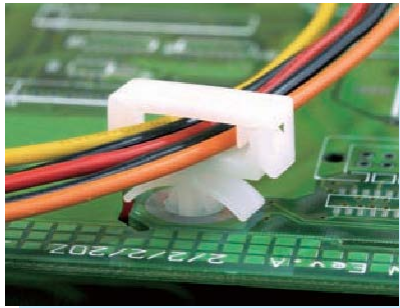
- ◆ MATERIAL: NYLON 66 (UL)
- ◆ FLAME CLASS: 94V-2/94V-0
- ◆ COLOR: NATURAL/WHITE/BLACK
- ◆ UNIT: mm



PARTNO	A	B	C	F	G	J	K	T	PACKAGE
CHJ-3	16.7	11.75	5.0	5.6	3.5	3.0	6.8	0.8-2.0	1000

# WIRE MOUNT

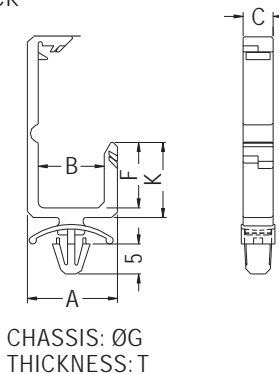
- ◆ MATERIAL: NYLON 66 (UL)
- ◆ FLAME CLASS: 94V-2/94V-0
- ◆ COLOR: NATURAL/BLACK
- ◆ UNIT: mm



PARTNO	A	B	C	F	G	J	K	T	PACKAGE
CHWT-3.4S	17.5	13.5	5.0	3.1	3.5	3.0	5.1	1.8	1000
CHWT-3.4	17.5	13.5	5.0	3.1	4.8	5.6	5.1	2.0	
CHWT-4.8	14.7	10.7	5.0	4.5	4.8	5.6	6.5	2.0	
CHWT-8.8	14.7	10.7	5.0	8.5	4.8	5.6	10.5	2.0	500
CHWT-10	20.3	16.3	5.0	9.7	4.8	5.6	11.7	2.0	
CHWT-14.1	20.3	16.3	5.0	13.8	4.8	5.6	15.8	2.0	
CHWT-21.7	22.0	18.0	5.0	21.4	4.8	5.6	23.4	2.0	

# WIRE MOUNT

- ◆ MATERIAL: NYLON 66 (UL)
- ◆ FLAME CLASS: 94V-2/94V-0
- ◆ COLOR: NATURAL/BLACK
- ◆ UNIT: mm

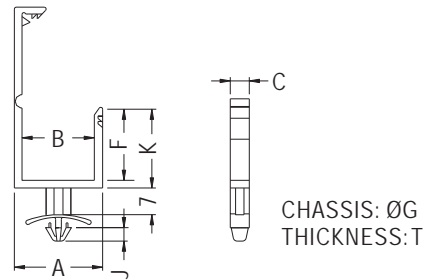
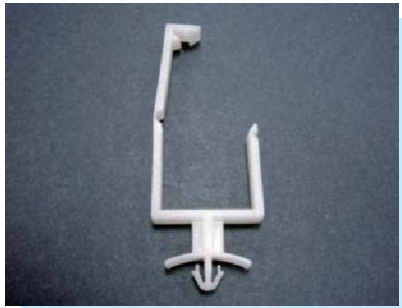


PARTNO	A	B	C	F	G	K	T	PACKAGE
CH-1	15.0	11.0	5.0	10.9	4.8	12.5	0.8-2.0	500



## WIRE MOUNT

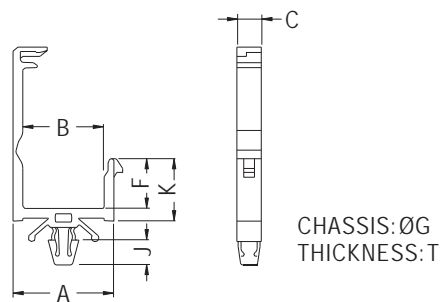
- ◆ MATERIAL:NYLON 66 (UL)
- ◆ FLAME CLASS:94V-2/94V-0
- ◆ COLOR:NATURAL/BLACK
- ◆ UNIT:mm



PARTNO	A	B	C	F	G	J	K	T	PACKAGE
CHH-3	23.2	19.0	5.0	18.7	4.8	3.54	20.7	0.8~1.6	500

## WIRE SADDLE

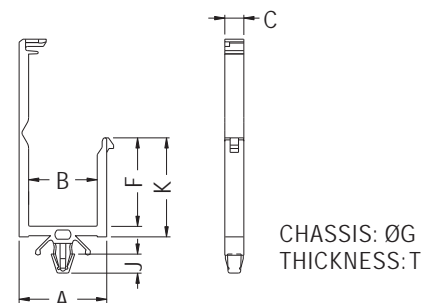
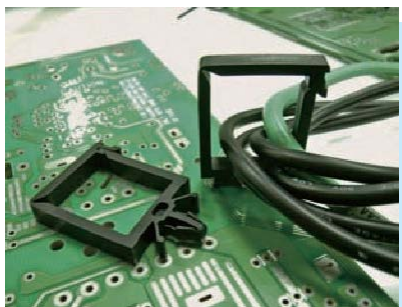
- ◆ MATERIAL:NYLON 66 (UL)
- ◆ FLAME CLASS:94V-2/94V-0
- ◆ COLOR:NATURAL/WHITE/BLACK
- ◆ UNIT:mm



PARTNO	A	B	C	F	G	J	K	T	PACKAGE
CHM-10	20.7	16.7	5.0	10.2	4.8	5.1	12.8	0.5~2.0	1000

## WIRE SADDLE

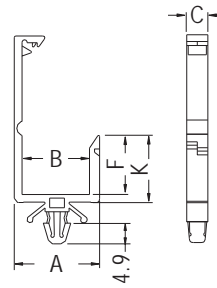
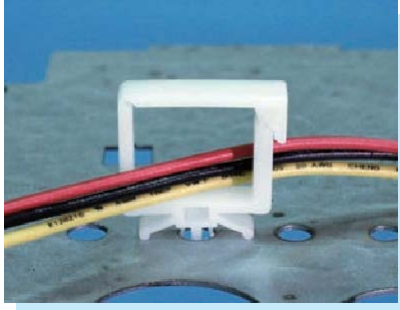
- ◆ MATERIAL:NYLON 66 (UL)
- ◆ FLAME CLASS:94V-2/94V-0
- ◆ COLOR:NATURAL/BLACK
- ◆ UNIT:mm



PARTNO	A	B	C	F	G	J	K	T	PACKAGE
CHM-20	23.0	18.0	5.0	23.2	4.8	5.0	26.0	0.5~2.0	1000

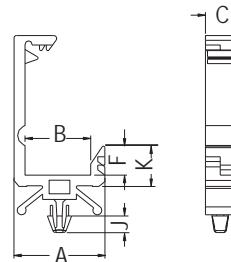
# WIRE SADDLE

- ◆ MATERIAL: NYLON 66 (UL)
- ◆ FLAME CLASS: 94V-2/94V-0
- ◆ COLOR: NATURAL/BLACK
- ◆ UNIT: mm



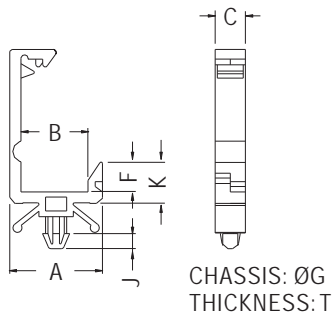
CHASSIS: ØG  
THICKNESS: T

PART NO	A	B	C	F	G	K	T	PACKAGE	UL
CHC-1	20.25	16.0	5.0	14.0	4.8-5.0	15.9	1.2-2.4	500	UL
CHC-2	15.35	11.1	5.0	9.9	4.8-5.0	11.8	1.2-2.4		UL
CHC-3	15.35	11.1	5.0	4.9	4.8-5.0	6.8	1.2-2.4		UL
CHC-5	27.0	22.8	5.0	12.85	4.8	14.85	0.5-1.0		



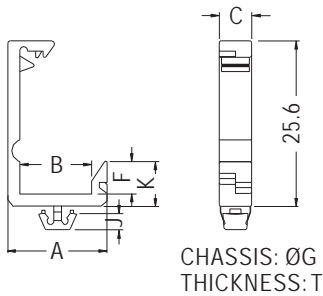
CHASSIS: ØG  
THICKNESS: T

PART NO	A	B	C	F	G	J	K	T	PACKAGE
CHCS-1	15.35	11.1	5.0	4.9	3.0	2.8	6.8	0.8-2.5	500



CHASSIS: ØG  
THICKNESS: T

PART NO	A	B	C	F	G	J	K	T	PACKAGE
CHH-1	15.35	11.1	5.0	4.9	3.5	2.5	6.8	0.8-2.5	500
CHH-2	15.35	11.1	5.0	9.9	3.5	2.5	11.8	0.8-2.5	

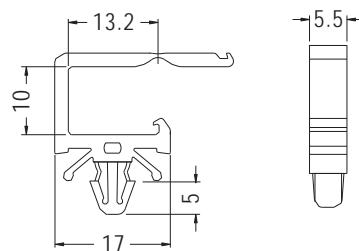
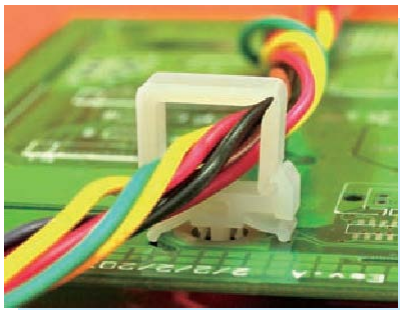


CHASSIS: ØG  
THICKNESS: T

PART NO	A	B	C	F	G	J	K	T	PACKAGE
CHC-4	15.35	11.1	5.0	5.0	4.8	2.5	6.9	1.0	500

# WIRE MOUNT

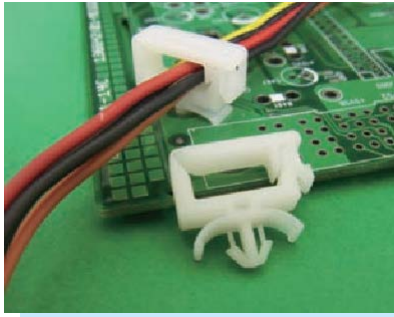
- ◆ MATERIAL: NYLON 66 (UL)
- ◆ FLAME CLASS: 94V-2/94V-0
- ◆ COLOR: NATURAL/BLACK
- ◆ UNIT: mm



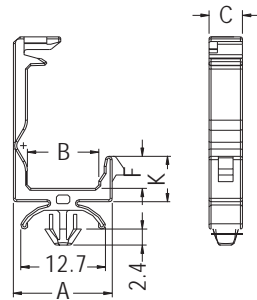
MOUNTING HOLE Ø4.8-Ø5.0  
THICKNESS 1.2-2.4

PART NO	PACKAGE
CHC-6	1000

# WIRE MOUNT



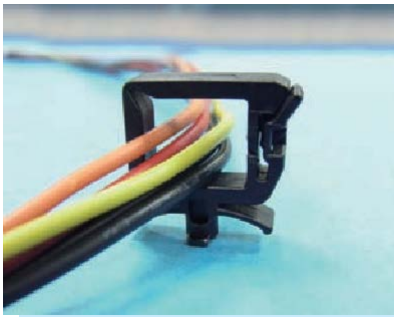
- ◆ MATERIAL: NYLON 66 (UL)
- ◆ FLAME CLASS: 94V-2/94V-0
- ◆ COLOR: NATURAL/BLACK
- ◆ UNIT: mm



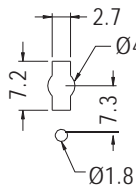
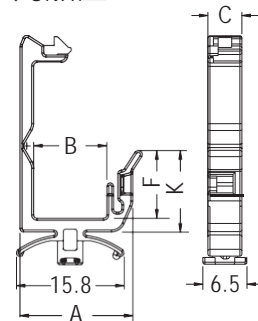
CHASSIS: ØG  
THICKNESS: T

PARTNO	A	B	C	F	G	K	T	PACKAGE
CHZB-1	14.8	10.7	5.0	4.8	4.0	6.8	0.8-2.5	500

# WIRE MOUNT



- ◆ MATERIAL: NYLON 66 (UL)
- ◆ FLAME CLASS: 94V-2/94V-0
- ◆ COLOR: NATURAL/BLACK
- ◆ UNIT: mm



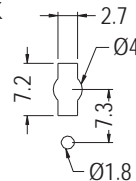
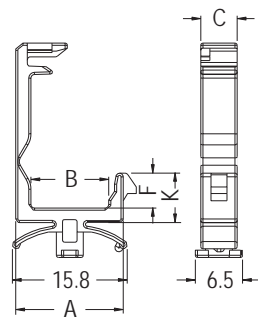
MOUNTING HOLES  
THICKNESS 0.8-1.6

PARTNO	A	B	C	F	K	PACKAGE
CHZ-1	16.5	10.7	5.0	9.95	11.95	500
CHZ-2	22.1	16.3		10.85	12.85	
CHZ-3	22.1	16.3		14.95	16.95	
CHZ-4	23.8	18.0		22.55	24.55	

# WIRE MOUNT



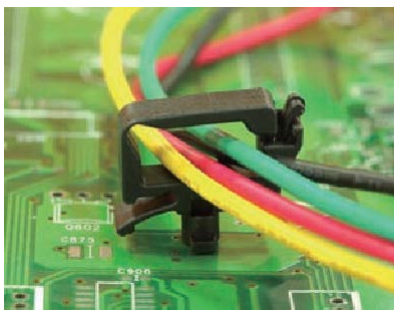
- ◆ MATERIAL: NYLON 66 (UL)
- ◆ FLAME CLASS: 94V-2/94V-0
- ◆ COLOR: NATURAL/BLACK
- ◆ UNIT: mm



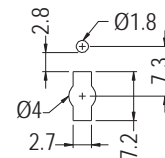
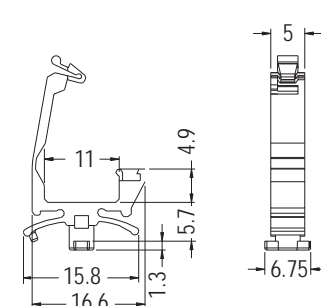
MOUNTING HOLES  
THICKNESS 0.8-1.6

PARTNO	A	B	C	F	K	PACKAGE
CHZA-1	14.8	10.7	5.0	4.8	6.8	500
CHZA-2	14.8	10.7	5.0	9.0	11.0	
CHZA-3	20.4	16.3	5.0	9.9	11.9	
CHZA-4	20.4	16.3	5.0	14.0	16.0	
CHZA-5	22.1	18.0	5.0	21.6	23.6	

# WIRE MOUNT



- ◆ MATERIAL: NYLON 66 (UL)
- ◆ FLAME CLASS: 94V-2/94V-0
- ◆ COLOR: NATURAL/BLACK
- ◆ UNIT: mm



MOUNTING HOLES  
THICKNESS 0.8-2.0

PARTNO	PACKAGE
CHKA-1	1000

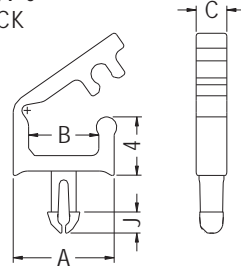




## WIRE MOUNT



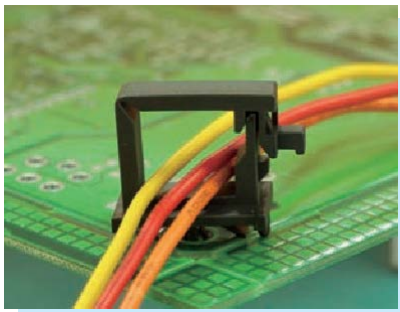
- ◆ MATERIAL: NYLON 66 (UL)
- ◆ FLAME CLASS: 94V-2/94V-0
- ◆ COLOR: NATURAL/BLACK
- ◆ UNIT: mm



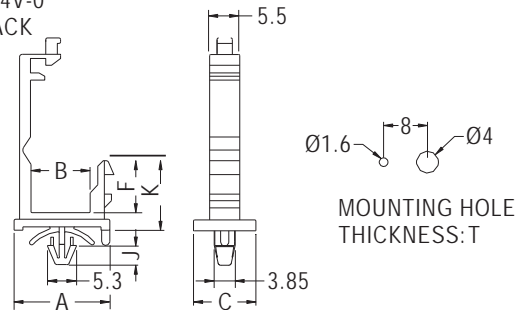
MOUNTING HOLE:  $\varnothing G$   
THICKNESS: T

PART NO	A	B	C	G	J	T	PACKAGE
CHLB-1	6.9	4.8	2.1	1.7	1.5	2.4	1000

## WIRE SADDLE



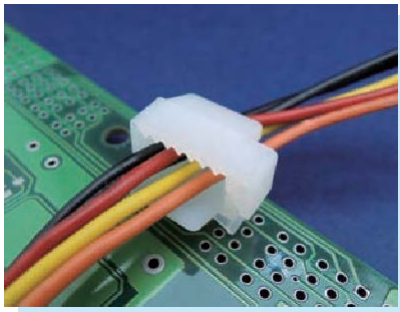
- ◆ MATERIAL: NYLON 66 (UL)
- ◆ FLAME CLASS: 94V-2/94V-0
- ◆ COLOR: NATURAL/BLACK
- ◆ UNIT: mm



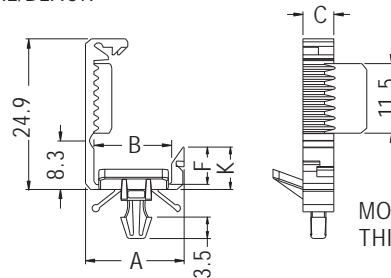
MOUNTING HOLE  
THICKNESS: T

PART NO	A	B	C	F	J	K	T	PACKAGE
CHWE-1	17.5	10.8	11.4	9.5	3.5	12.7	0.8-1.0	1000

## WIRE MOUNT



- ◆ MATERIAL: NYLON 66 (UL)
- ◆ FLAME CLASS: 94V-2/94V-0
- ◆ COLOR: NATURAL/BLACK
- ◆ UNIT: mm



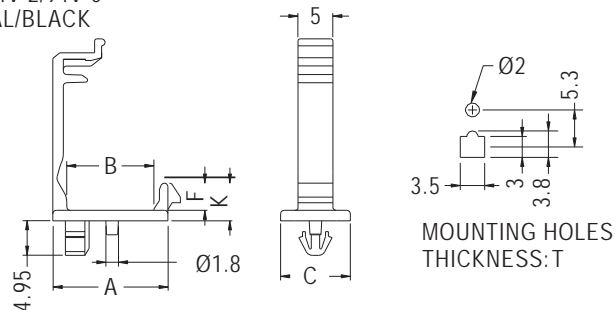
MOUNTING HOLE:  $\varnothing G$   
THICKNESS: T

PART NO	A	B	C	F	G	K	T	PACKAGE
CHCA-1	16.1	12.85	5.1	6.2	3.5	7.0	1.0-2.5	500

## WIRE MOUNT



- ◆ MATERIAL: NYLON 66 (UL)
- ◆ FLAME CLASS: 94V-2/94V-0
- ◆ COLOR: NATURAL/BLACK
- ◆ UNIT: mm



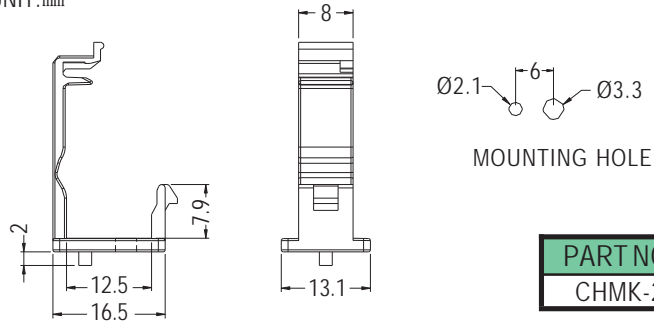
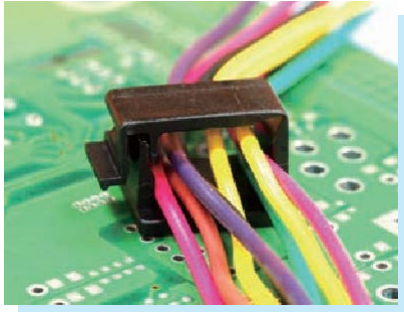
MOUNTING HOLES  
THICKNESS: T

PART NO	A	B	C	F	K	T	PACKAGE
CHMK-1	16.5	12.5	10.0	3.9	5.4	2.0	1000

# WIRE MOUNT

**NEW**

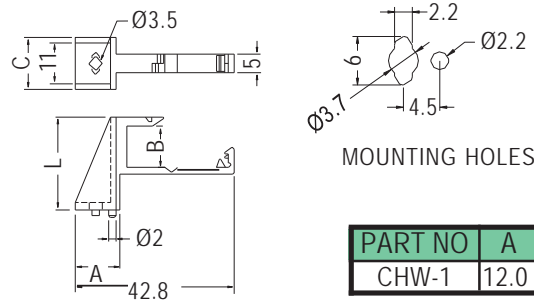
- ◆ MATERIAL: NYLON 66 (UL)
- ◆ FLAME CLASS: 94V-2/94V-0
- ◆ COLOR: NATURAL/BLACK
- ◆ UNIT: mm



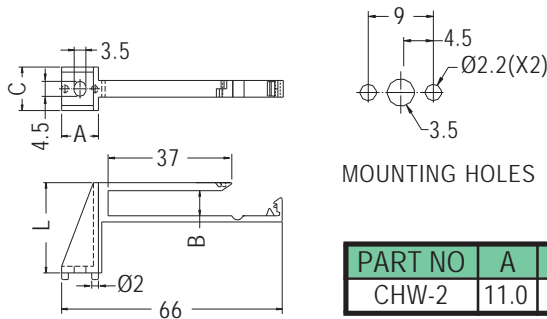
PART NO	PACKAGE
CHMK-2	1000

# HARNESS CLIP STANDOFF

- ◆ MATERIAL: NYLON 66 (UL)
- ◆ FLAME CLASS: 94V-2/94V-0
- ◆ COLOR: NATURAL/BLACK
- ◆ UNIT: mm



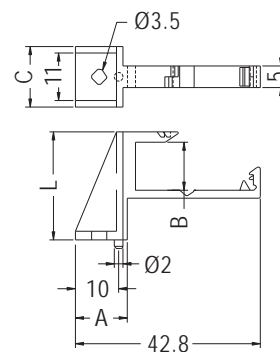
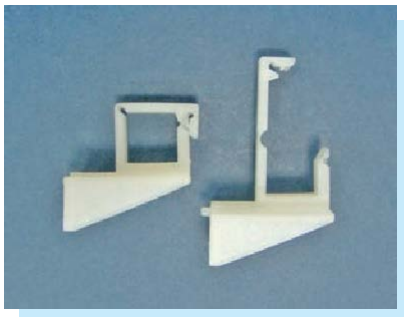
PART NO	A	B	C	L	PACKAGE
CHW-1	12.0	11.1	14.0	25.0	250



PART NO	A	B	C	L	PACKAGE
CHW-2	11.0	7.5	13.0	27.0	250

# HARNESS CLIP STANDOFF

- ◆ MATERIAL: NYLON 66 (UL)
- ◆ FLAME CLASS: 94V-2/94V-0
- ◆ COLOR: NATURAL/BLACK
- ◆ UNIT: mm



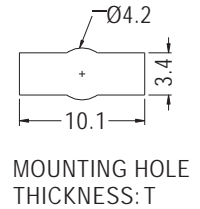
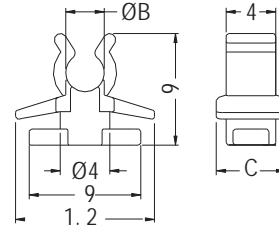
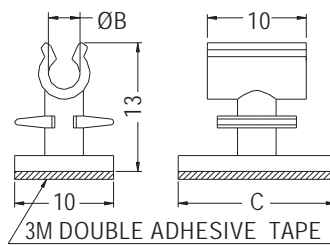
PART NO	A	B	C	L	PACKAGE
CHW-1T	12.0	11.1	14.0	25.0	250



## WIRE MOUNT



- ◆ MATERIAL: NYLON 66 (UL)
- ◆ FLAME CLASS: 94V-2/94V-0
- ◆ COLOR: NATURAL/BLACK
- ◆ UNIT: mm



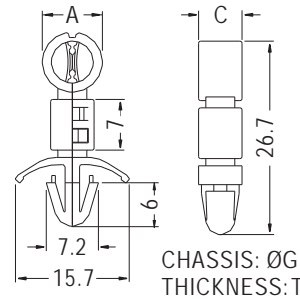
PARTNO	B	C	PACKAGE
THVA-1	3.2	15.9	500

PARTNO	B	C	T	PACKAGE
THVB-1	3.1	5.6	1.2	500

## WIRE MOUNT



- ◆ MATERIAL: NYLON 66 (UL)
- ◆ FLAME CLASS: 94V-2/94V-0
- ◆ COLOR: NATURAL/BLACK
- ◆ UNIT: mm

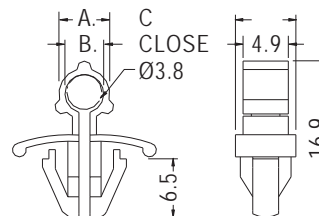


PARTNO	A	C	G	T	PACKAGE
OCSH-14	8.3	6.0	5.5	0.8~2.3	500

## WIRE HOLDER



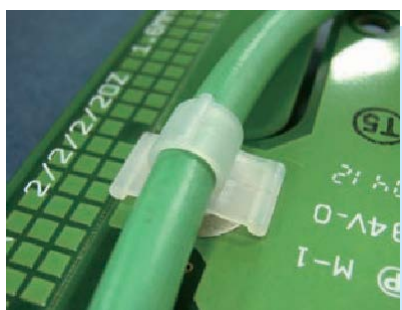
- ◆ MATERIAL: NYLON 66 (UL)
- ◆ FLAME CLASS: 94V-2/94V-0
- ◆ COLOR: NATURAL/BLACK
- ◆ UNIT: mm



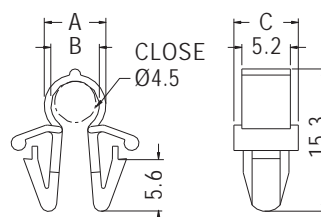
CHASSIS: ØG  
THICKNESS: T

PARTNO	A	B	C	G	T	PACKAGE
OCC-4	5.5	4.2	6.55	6.5	1.2	500

## WIRE HOLDER



- ◆ MATERIAL: NYLON 66 (UL)
- ◆ FLAME CLASS: 94V-2/94V-0
- ◆ COLOR: NATURAL/BLACK
- ◆ UNIT: mm

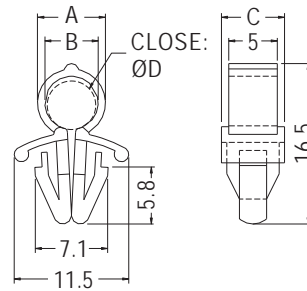


CHASSIS: ØG  
THICKNESS: T

PARTNO	A	B	C	G	T	PACKAGE
OCC-5	6.6	5.2	6.9	6.0	2.0	1000

# WIRE HOLDER

- ◆ MATERIAL: NYLON 66 (UL)
- ◆ FLAME CLASS: 94V-2/94V-0
- ◆ COLOR: NATURAL/BLACK
- ◆ UNIT: mm

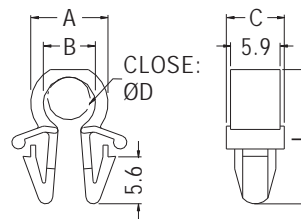


CHASSIS: ØG  
THICKNESS: T

PARTNO	A	B	C	D	G	T	PACKAGE
OCC6.5-5	7.0	5.0	6.5	5.0	6.5	2.0	1000

# WIRE HOLDER

- ◆ MATERIAL: NYLON 66 (UL)
- ◆ FLAME CLASS: 94V-2/94V-0
- ◆ COLOR: NATURAL/BLACK
- ◆ UNIT: mm

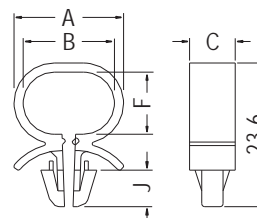
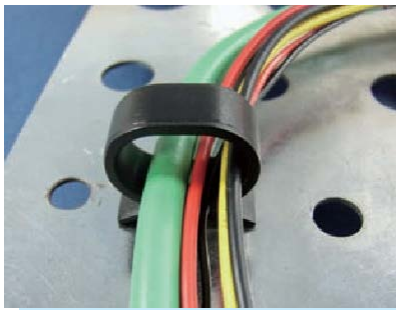


CHASSIS: ØG  
THICKNESS: T

PARTNO	A	B	C	D	G	L	T	PACKAGE
OCC-6	9.2	6.2	6.9	5.0	6.0	16.0	2.0	1000
OCC-8	11.2	8.2	6.9	7.0	6.0	17.6	2.0	500
OCC-10	13.2	10.2	6.9	9.0	6.0	20.1	2.0	

# WIRE HOLDER

- ◆ MATERIAL: NYLON 66 (UL)
- ◆ FLAME CLASS: 94V-2/94V-0
- ◆ COLOR: NATURAL/BLACK
- ◆ UNIT: mm



CHASSIS: ØG  
THICKNESS: T

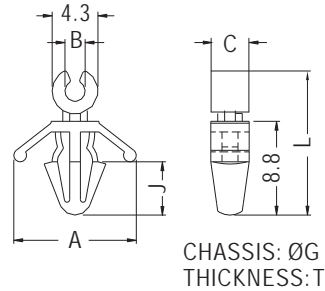
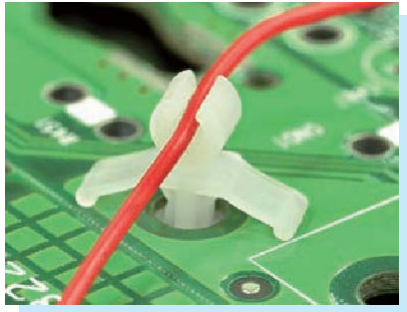
PARTNO	A	B	C	F	G	J	T	PACKAGE
OCCB-15	18.0	15.0	7.5	10.2	6.0-6.5	6.0	0.8-2.5	500



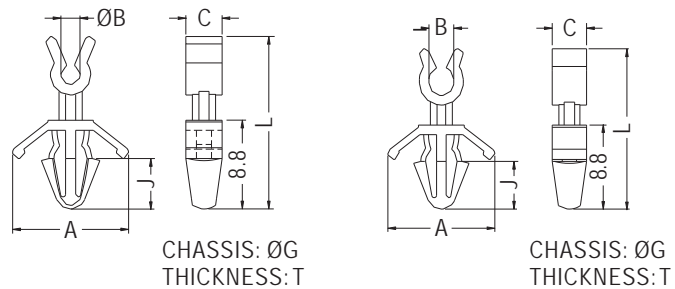


# WIRE MOUNT

- ◆ MATERIAL: NYLON 66 (UL)
- ◆ FLAME CLASS: 94V-2/94V-0
- ◆ COLOR: NATURAL/BLACK
- ◆ UNIT: mm



PART NO	A	B	C	G	J	L	T	PACKAGE
THV-11	11.5	1.9	3.6	4.0	5.0	13.5	0.8~2.5	1000

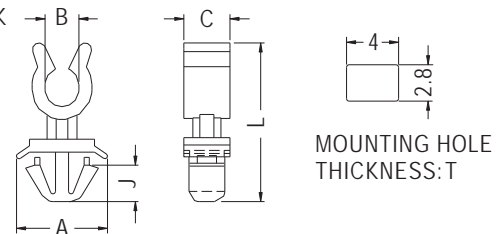


FOR THV-3, THV-4

PART NO	A	B	C	G	J	L	T	PACKAGE
THV-1	11.5	1.9	3.6	4.0	5.0	17.1	0.8~2.5	500
THV-7	11.5	1.9	3.6	4.0	5.0	25.1	0.8~2.5	
THV-3	11.2	2.6	3.6	4.0	5.0	16.8	0.8~2.5	
THV-4	11.2	2.6	3.6	4.0	5.0	20.7	0.8~2.5	

# WIRE MOUNT

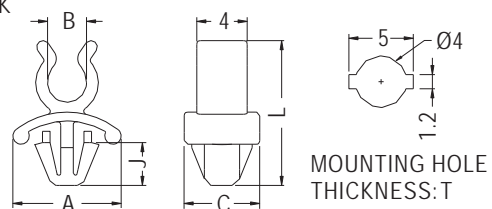
- ◆ MATERIAL: NYLON 66 (UL)
- ◆ FLAME CLASS: 94V-2/94V-0
- ◆ COLOR: NATURAL/BLACK
- ◆ UNIT: mm



PART NO	A	B	C	J	L	T	PACKAGE
THV-5	7.0	2.6	3.6	5.0	12.4	0.6	500

# WIRE MOUNT

- ◆ MATERIAL: NYLON 66 (UL)
- ◆ FLAME CLASS: 94V-2/94V-0
- ◆ COLOR: NATURAL/BLACK
- ◆ UNIT: mm



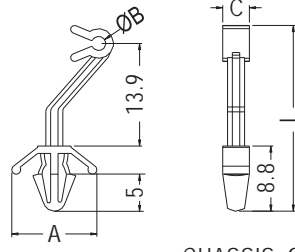
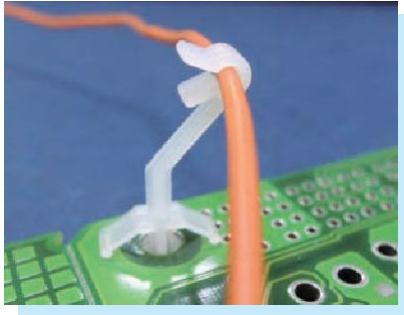
PART NO	A	B	C	J	L	T	PACKAGE
THV-6	8.6	3.3	6.0	3.4	11.6	0.8~1.2	1000





# HARNESS CLIP STANDOFF

- ◆ MATERIAL: NYLON 66 (UL)
- ◆ FLAME CLASS: 94V-2/94V-0
- ◆ COLOR: NATURAL/BLACK
- ◆ UNIT: mm

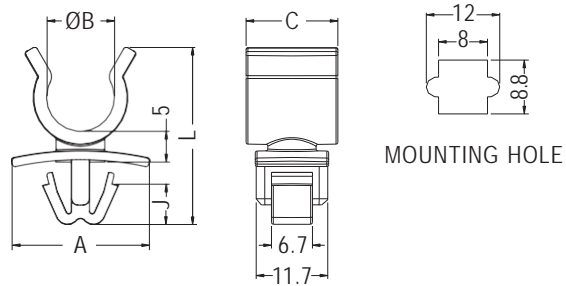


CHASSIS: ØG  
 THICKNESS: T

PART NO	A	B	C	G	L	T	PACKAGE
THV-8	11.5	1.9	3.6	4.0	25.1	0.8-2.5	1000

# WIRE MOUNT

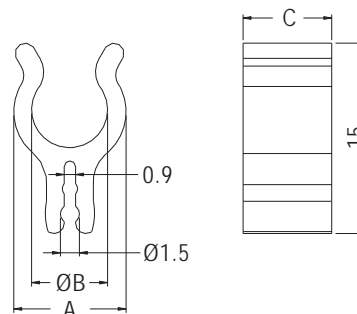
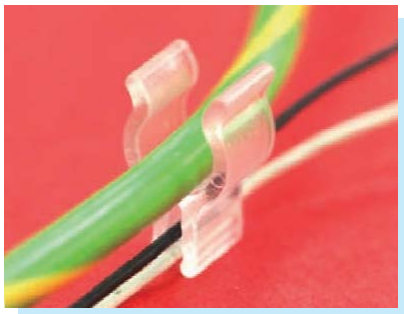
- ◆ MATERIAL: NYLON 66 (UL)
- ◆ FLAME CLASS: 94V-2/94V-0
- ◆ COLOR: NATURAL/BLACK
- ◆ UNIT: mm



PART NO	A	B	C	J	L	PACKAGE
THV-9	22.45	11.0	15.0	6.65	28.9	1000

# WIRE MOUNT

- ◆ MATERIAL: PC (UL)
- ◆ FLAME CLASS: 94V-2
- ◆ COLOR: TRANSPARENT/WHITE
- ◆ UNIT: mm

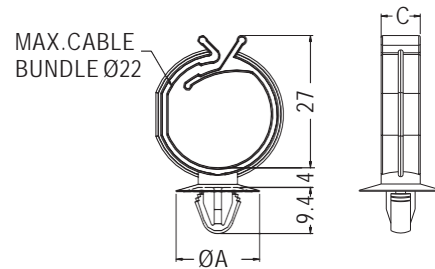


PART NO	A	B	C	PACKAGE
THVD-1	8.9	6.0	7.0	500

# WIRE MOUNT

**NEW**

- ◆ MATERIAL: NYLON 66 (UL)
- ◆ FLAME CLASS: 94V-2/94V-0
- ◆ COLOR: NATURAL/WHITE/BLACK
- ◆ UNIT: mm



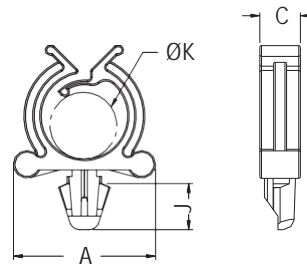
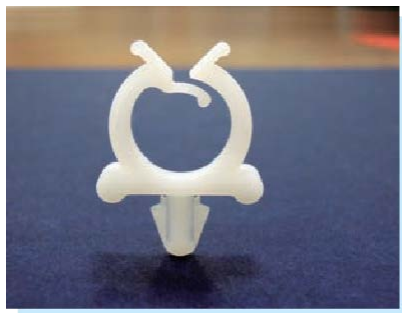
MOUNTING HOLE: ØG  
THICKNESS: T

PART NO	A	C	G	T	PACKAGE
THW-2	17.0	8.0	6.5~7.0	0.6~2.0	500

4

# WIRE MOUNT

- ◆ MATERIAL: NYLON 66 (UL)
- ◆ FLAME CLASS: 94V-2/94V-0
- ◆ COLOR: NATURAL/BLACK
- ◆ UNIT: mm

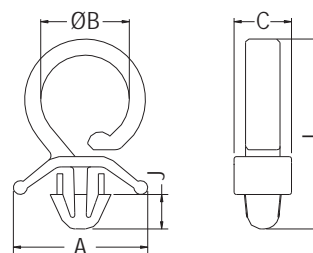
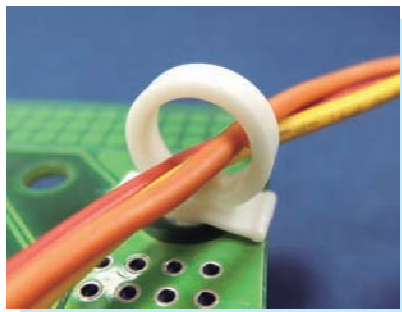


MOUNTING HOLE: ØG  
THICKNESS: T

PART NO	A	C	G	J	K	T	PACKAGE
THW-1	26.2	7.5	6.35	8.7	12.3	0.8~1.6	500

# WIRE MOUNT

- ◆ MATERIAL: NYLON 66 (UL)
- ◆ FLAME CLASS: 94V-2/94V-0
- ◆ COLOR: NATURAL/WHITE/BLACK
- ◆ UNIT: mm



MOUNTING HOLE: ØG  
THICKNESS: T

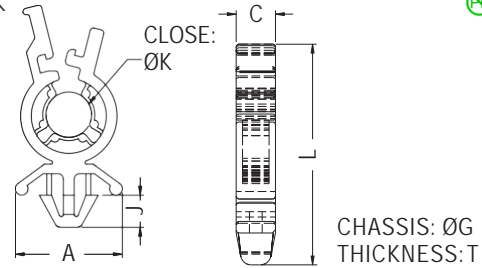
PART NO	A	B	C	G	J	L	T	PACKAGE
SLCB-8	11.7	7.7	5.0	4.0	3.0	16.5	0.6~2.0	1000



## WIRE MOUNT



- ◆ MATERIAL: NYLON 66 (UL)
- ◆ FLAME CLASS: 94V-2/94V-0
- ◆ COLOR: NATURAL/BLACK
- ◆ UNIT: mm

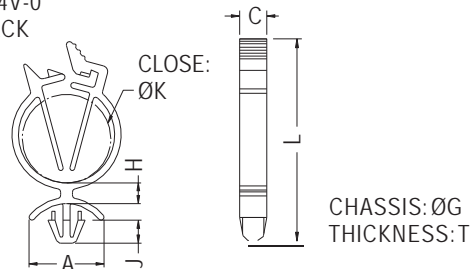


PART NO	A	C	G	J	K	L	T	PACKAGE
SLCPA-1	10.0	3.7	4.0	3.0	3.9	20.8	0.8~2.0	500
SLCPA-2	10.0	3.7	4.0	3.0	3.9	25.85	0.8~2.0	

## WIRE MOUNT



- ◆ MATERIAL: NYLON 66 (UL)
- ◆ FLAME CLASS: 94V-2/94V-0
- ◆ COLOR: NATURAL/BLACK
- ◆ UNIT: mm

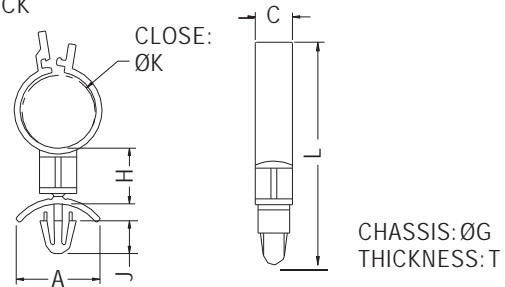


PART NO	A	C	G	H	J	K	L	T	PACKAGE
SLCA-15	12.7	4.6	4.8	3.5	3.9	15.0	34.14	0.8~2.0	500

## WIRE MOUNT

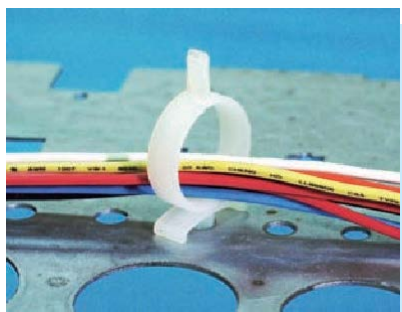


- ◆ MATERIAL: NYLON 66 (UL)
- ◆ FLAME CLASS: 94V-2/94V-0
- ◆ COLOR: NATURAL/BLACK
- ◆ UNIT: mm

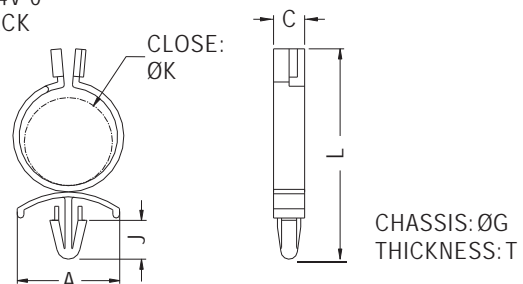


PART NO	A	C	G	H	J	K	L	T	PACKAGE
SLC-19	14.3	6.35	4.8	9.5	5.6	12.5	38.0	0.8~2.0	500

## WIRE HOLDER



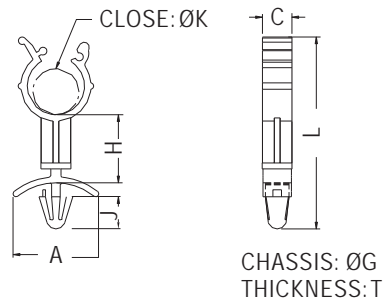
- ◆ MATERIAL: NYLON 66 (UL)
- ◆ FLAME CLASS: 94V-2/94V-0
- ◆ COLOR: NATURAL/BLACK
- ◆ UNIT: mm



PART NO	A	C	G	J	K	L	T	PACKAGE
SLC-17	19.75	6.0	4.8	7.5	17.0	39.3	1.0~3.2	500

# WIRE MOUNT

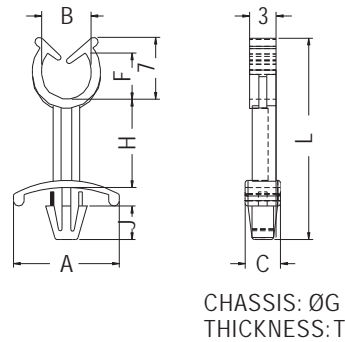
- ◆ MATERIAL: NYLON 66 (UL)
- ◆ FLAME CLASS: 94V-2/94V-0
- ◆ COLOR: NATURAL/BLACK
- ◆ UNIT: mm



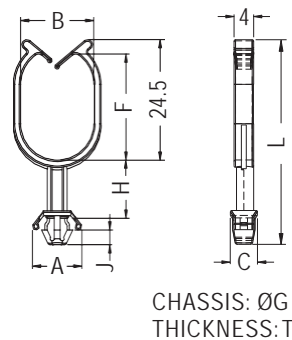
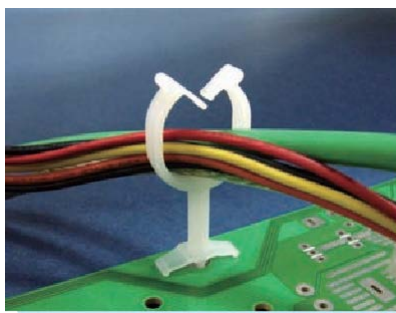
PARTNO	A	C	G	H	J	K	L	T	PACKAGE
SLC-21	16.0	5.5	4.8	12.7	6.0	8.6	35.8	0.8-2.0	500
SLC-22	16.0	5.5	4.8	12.7	6.0	12.2	39.4	0.8-2.0	
SLC-24	16.0	5.5	4.8	6.4	6.0	8.6	29.5	0.8-2.0	
SLC-25	16.0	5.5	4.8	19.1	6.0	8.6	42.2	0.8-2.0	
SLC-26	16.0	5.5	4.8	19.1	6.0	6.1	39.4	0.8-2.0	
SLC-26L	16.0	5.5	4.8	19.1	6.0	6.7	39.4	0.8-2.0	

# HARNESS CLIP STANDOFF

- ◆ MATERIAL: NYLON 66 (UL)
- ◆ FLAME CLASS: 94V-2/94V-0
- ◆ COLOR: NATURAL/BLACK
- ◆ UNIT: mm



PARTNO	A	B	C	F	G	H	J	L	T	PACKAGE
THE-11	12.0	5.6	4.0	5.22	3.5	10.0	3.8	22.9	0.6-1.6	500

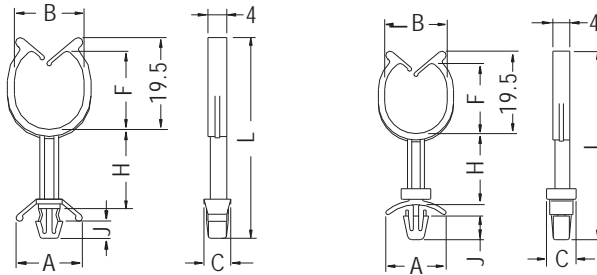
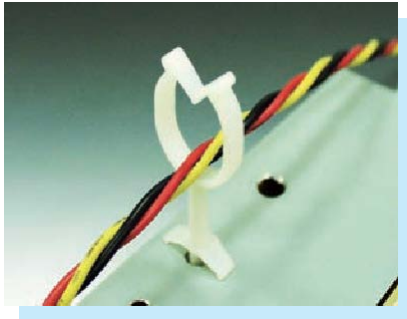


PARTNO	A	B	C	F	G	H	J	L	T	PACKAGE
THE-38	10.0	14.8	5.5	21.6	4.8-5.0	11.8	3.0	41.7	0.5-2.0	500



# HARNESS CLIP STANDOFF

- ◆ MATERIAL: NYLON 66 (UL)
- ◆ FLAME CLASS: 94V-2/94V-0
- ◆ COLOR: NATURAL/BLACK
- ◆ UNIT: mm



CHASSIS: ØG  
THICKNESS: T

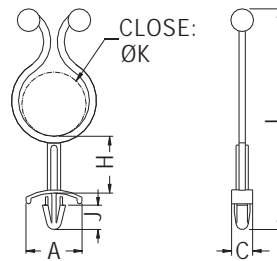
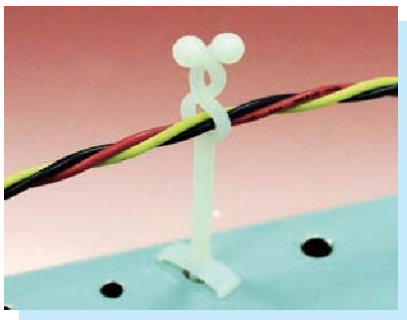
CHASSIS: ØG  
THICKNESS: T  
FOR THE-9

**UL**  
E217732  
UL 1565

PARTNO	A	B	C	F	G	H	J	L	T	PACKAGE
THE-9	14.3	14.8	7.0	16.2	4.8-5.0	9.5	5.6	37.3	0.5-2.3	500
THE-12	14.1	14.8	5.7	16.2	4.8-5.0	12.7	3.6	38.5	0.5-2.3	
THE-17	14.1	14.8	5.7	16.2	4.8-5.0	16.8	3.6	42.6	0.5-2.3	
THE-25	14.1	14.8	5.7	16.2	4.8-5.0	25.0	3.6	50.8	0.5-2.3	
THE-37	14.1	14.8	5.7	16.2	4.8-5.0	36.8	3.6	62.6	0.5-2.3	

# WIRE HOLDER

- ◆ MATERIAL: NYLON 66 (UL)
- ◆ FLAME CLASS: 94V-2/94V-0
- ◆ COLOR: NATURAL/BLACK
- ◆ UNIT: mm



CHASSIS: ØG  
THICKNESS: T

**UL**  
E217732  
UL 1565

PARTNO	A	C	G	H	J	K	L	T	PACKAGE	UL
THA-1	16.1	6.0	4.8-5.0	3.1	7.3	6.1	33.8	0.8-3.0	1000	UL
THA-2	16.0	5.9	4.8-5.0	20.0	7.3	6.1	51.0	0.8-3.0	500	UL
THA-3	16.0	5.9	4.8-5.0	35.3	7.3	6.1	66.0	0.8-3.0		UL
THA-4	16.0	6.0	4.8-5.0	2.8	7.3	9.8	39.6	0.8-3.0	1000	UL
THA-5	16.0	6.0	4.8-5.0	20.0	7.3	9.8	56.8	0.8-3.0	500	UL
THA-6	16.2	5.9	4.8-5.0	35.2	7.3	9.8	71.5	0.8-3.0		UL
THA-7	16.0	5.9	4.8-5.0	3.0	7.3	13.8	42.0	0.8-3.0	1000	UL
THA-8	16.1	6.0	4.8-5.0	20.4	7.3	13.8	59.3	0.8-3.0	500	UL
THA-9	16.0	5.9	4.8-5.0	35.8	7.3	13.8	74.7	0.8-3.0		UL
THA-10	16.0	6.0	4.8-5.0	16.2	7.3	18.4	63.5	0.8-3.0		UL
THA-11	16.0	5.4	4.8-5.0	3.0	7.3	22.3	56.8	0.8-2.5		UL
THA-12	16.0	6.0	4.8-5.0	15.8	7.3	9.7	53.1	0.8-3.0		UL
THA-14	16.0	6.0	4.8-5.0	8.0	7.3	18.7	55.3	0.8-3.0		UL
THA-15	16.4	6.0	4.8-5.0	10.5	7.3	6.8	43.8	0.8-3.0		
THA-16	10.5	6.0	4.8-5.0	5.6	7.3	7.0	34.7	0.8-2.0		
THA-19	13.8	6.0	4.8-5.0	4.4	7.2	9.8	40.9	0.8-2.5		
THA-21	12.9	4.8	3.0	8.0	3.7	7.7	37.7	0.8-2.4	1000	
THA-22	15.5	4.9	3.5	8.1	5.8	18.5	58.2	1.0-2.0	500	

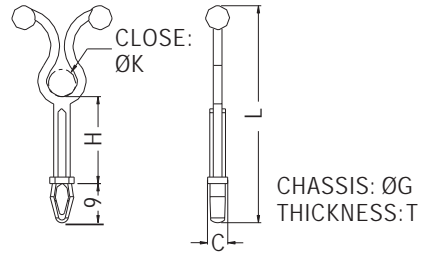




# WIRE SADDLE SIDE ENTRY



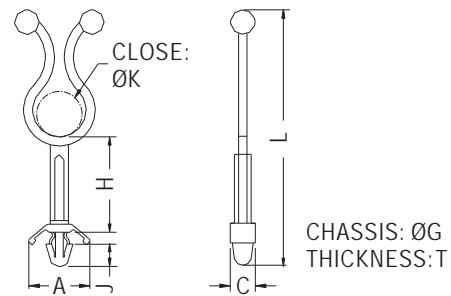
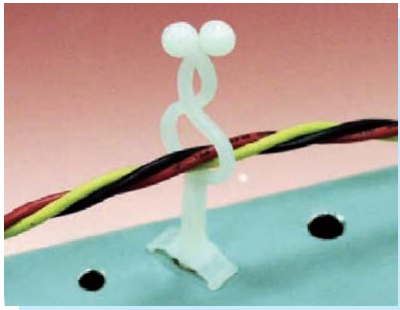
- ◆ MATERIAL: NYLON 66 (UL)
- ◆ FLAME CLASS: 94V-2/94V-0
- ◆ COLOR: NATURAL/BLACK
- ◆ UNIT: mm



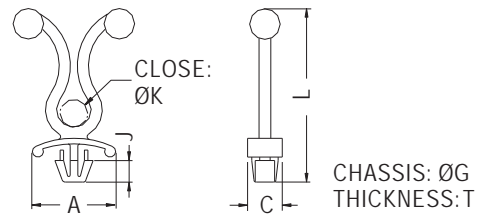
PARTNO	C	G	H	K	L	T	PACKAGE
THN-1	4.6	4.6	20.0	6.0	49.9	2.5	500

# WIRE HOLDER

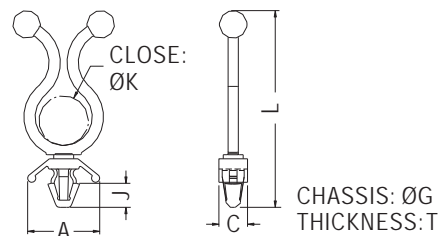
- ◆ MATERIAL: NYLON 66 (UL)
- ◆ FLAME CLASS: 94V-2/94V-0
- ◆ COLOR: NATURAL/BLACK
- ◆ UNIT: mm



PARTNO	A	C	G	H	J	K	L	T	PACKAGE
THC-1	13.8	5.5	4.8	21.0	5.0	10.4	56.5	0.8-2.2	500
THC-1S	9.2	4.9	4.0	3.0	3.1	7.2	26.7	0.8-2.2	1000
THC-2	13.8	5.6	4.8	34.0	5.0	5.0	59.8	0.8-2.2	500
THC-3	14.0	5.6	4.8	4.5	5.0	10.4	37.7	0.8-2.2	1000
THC-4	13.5	5.7	4.8	43.5	4.9	10.1	78.1	0.8-2.2	250



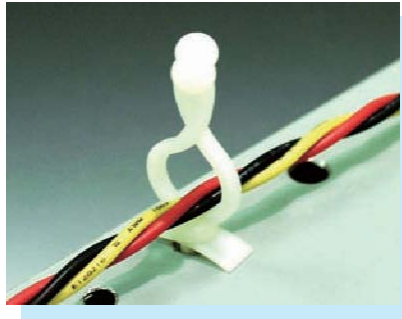
PARTNO	A	C	G	J	K	L	T	PACKAGE
THC-5	12.0	5.0	4.0	3.1	4.0	25.0	0.8-2.0	1000



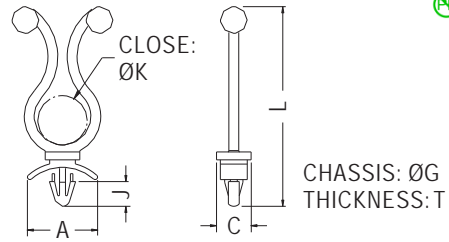
PARTNO	A	C	G	J	K	L	T	PACKAGE
THC-6	14.1	5.6	4.8	4.7	9.7	38.5	0.8-2.5	1000



# HARNESS CLIP STANDOFF

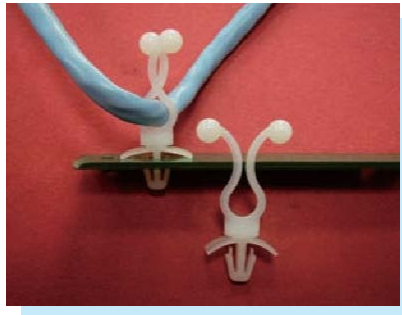


- ◆ MATERIAL: NYLON 66 (UL)
- ◆ FLAME CLASS: 94V-2/94V-0
- ◆ COLOR: NATURAL/BLACK
- ◆ UNIT: mm

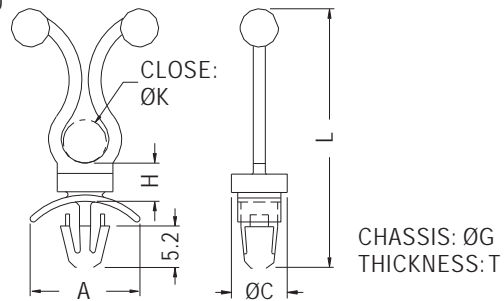


PARTNO	A	C	G	J	K	L	T	PACKAGE
THI-4	14.2	7.0	4.0	5.0	10.0	40.4	0.8-2.0	500

# HARNESS CLIP STANDOFF



- ◆ MATERIAL: NYLON 66 (UL)
- ◆ FLAME CLASS: 94V-2/94V-0
- ◆ COLOR: NATURAL/BLACK
- ◆ UNIT: mm

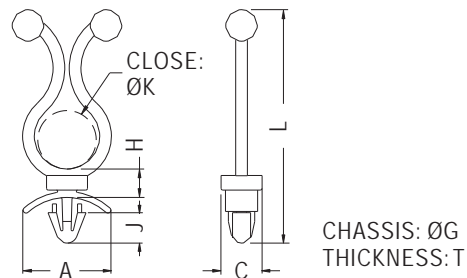


PARTNO	A	C	G	H	K	L	T	PACKAGE
THL-4.8	13.8	7.0	4.8	4.8	5.2	32.5	0.8-2.0	1000

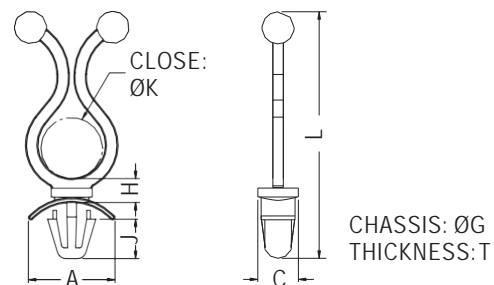
# HARNESS CLIP STANDOFF



- ◆ MATERIAL: NYLON 66 (UL)
- ◆ FLAME CLASS: 94V-2/94V-0
- ◆ COLOR: NATURAL/BLACK
- ◆ UNIT: mm



PARTNO	A	C	G	H	J	K	L	T	PACKAGE
THD-1	15.0	7.0	4.8-5.0	4.9	5.2	9.8	40.2	0.8-2.0	500
THD-2	15.0	7.0	4.8-5.0	4.9	5.2	17.1	49.4	0.8-2.0	
THD-4	15.0	7.0	4.8-5.0	4.85	3.6	17.5	47.6	0.8-2.0	



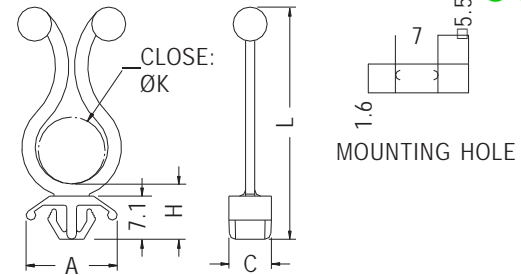
PARTNO	A	C	G	H	J	K	L	T	PACKAGE
THD-3	15.9	6.8	6.0	4.0	6.6	10.2-12.7	41.4	0.78-2.0	500



# HARNESS CLIP STANDOFF



- ◆ MATERIAL: NYLON 66 (UL)
- ◆ FLAME CLASS: 94V-2/94V-0
- ◆ COLOR: NATURAL/BLACK
- ◆ UNIT: mm

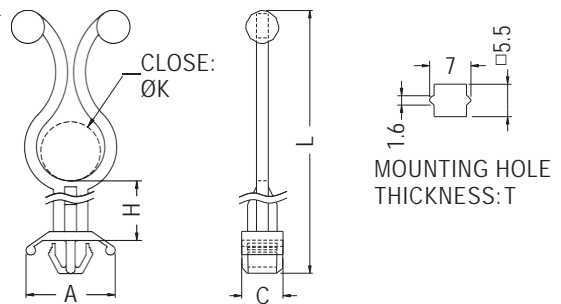


PART NO	A	C	H	K	L	PACKAGE
THG-12	15.0	7.0	3.5	11.0	38.3	500

# HARNESS CLIP STANDOFF

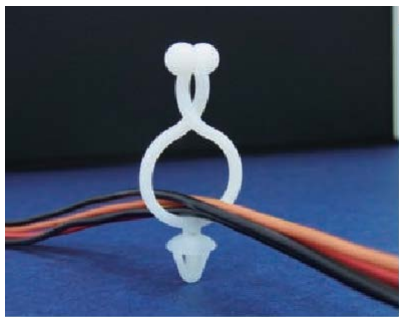


- ◆ MATERIAL: NYLON 66 (UL)
- ◆ FLAME CLASS: 94V-2/94V-0
- ◆ COLOR: NATURAL/BLACK
- ◆ UNIT: mm

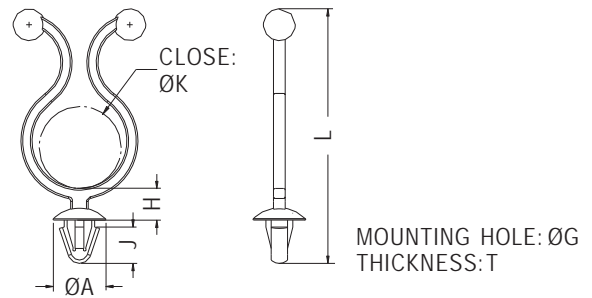


PART NO	A	C	H	K	L	T	PACKAGE
THG-13	15.0	7.0	47.0	10.0	81.45	0.8~1.6	500
THG-14			6.0	18.0	52.2	1.0~2.0	

# WIRE MOUNT

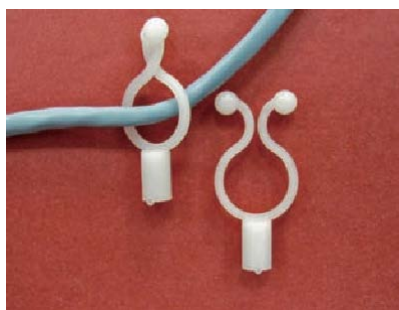


- ◆ MATERIAL: NYLON 66 (UL)
- ◆ FLAME CLASS: 94V-2/94V-0
- ◆ COLOR: NATURAL/BLACK
- ◆ UNIT: mm

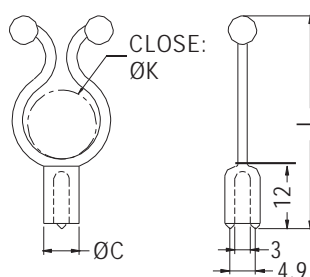


PART NO	A	G	H	J	K	L	T	PACKAGE
THCA-1	9.0	4.8~5.0	5.4	6.3	14.0	43.48	1.2~2.0	500

# HARNESS CLIP STANDOFF



- ◆ MATERIAL: NYLON 66 (UL)
- ◆ FLAME CLASS: 94V-2/94V-0
- ◆ COLOR: NATURAL/BLACK
- ◆ UNIT: mm



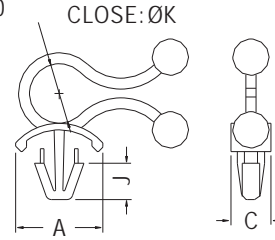
PART NO	C	K	L	PACKAGE
THJ-15	6.8	13.5	41.0	500



# WIRE HOLDER



- ◆ MATERIAL: NYLON 66 (UL)
- ◆ FLAME CLASS: 94V-2/94V-0
- ◆ COLOR: NATURAL/BLACK
- ◆ UNIT: mm



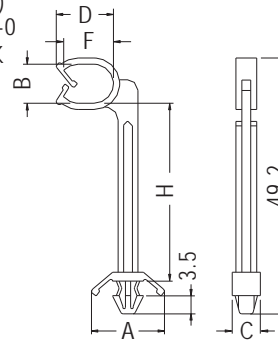
CHASSIS: ØG  
THICKNESS: T

PARTNO	A	C	G	J	K	T	PACKAGE
THH-8	12.0	5.5	4.0	5.0	6.7	1.6~4.0	500
THH-9	12.0	5.5	3.0	3.5	6.7	0.8~2.0	

# HARNESS CLIP STANDOFF



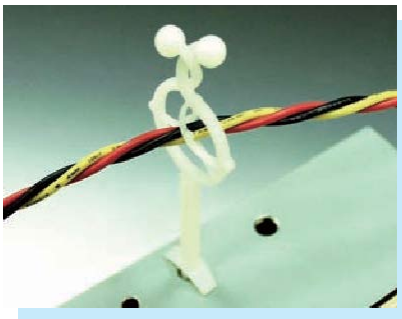
- ◆ MATERIAL: NYLON 66 (UL)
- ◆ FLAME CLASS: 94V-2/94V-0
- ◆ COLOR: NATURAL/BLACK
- ◆ UNIT: mm



CHASSIS: ØG  
THICKNESS: T

PARTNO	A	B	C	D	F	G	H	T	PACKAGE
THEL-41	14.0	7.5	5.4	11.0	9.5	4.8~5.0	34.2	0.5~2.1	500

# TWIST LOCK STANDOFF



- ◆ MATERIAL: NYLON 66 (UL)
- ◆ FLAME CLASS: 94V-2/94V-0
- ◆ COLOR: NATURAL/BLACK
- ◆ UNIT: mm



CHASSIS: ØG  
THICKNESS: T

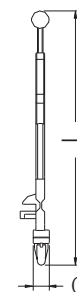
**UL**  
E217732  
UL 1565

PARTNO	A	B	C	G	H	J	T	PACKAGE
THF-1	14.1	20.5	5.7	4.8~5.0	32.1	3.6	0.5~2.3	500

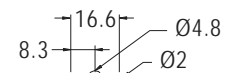
# TWISTLOCK STANDOFF



- ◆ MATERIAL: NYLON 66 (UL)
- ◆ FLAME CLASS: 94V-2/94V-0
- ◆ COLOR: NATURAL/BLACK
- ◆ UNIT: mm



CABLE BUNDLE RANGE  
3.5 TO 12mm DIAMETER



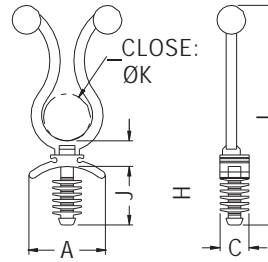
MOUNTING HOLES  
THICKNESS: T

PARTNO	A	B	C	H	J	L	T	PACKAGE
THFA-1	16.0	20.0	5.5	39.4	7.0	87.0	0.8~2.0	500



# WIRE HOLDER

- ◆ MATERIAL: NYLON 66 (UL)
- ◆ FLAME CLASS: 94V-2/94V-0
- ◆ COLOR: NATURAL/BLACK
- ◆ UNIT: mm

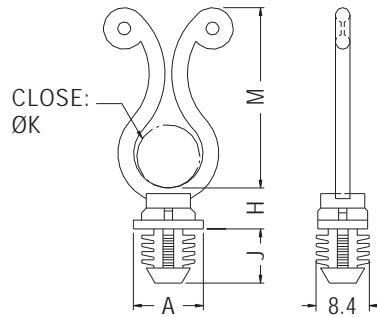


CHASSIS: ØG

PART NO	A	C	G	H	J	K	PACKAGE
WKL-10	14.6	5.5	5.0	4.9	11.2	9.0	500
WKL-10A	14.6	5.0	4.5	4.9	11.2	9.0	

# WIRE SADDLE SIDE ENTRY

- ◆ MATERIAL: NYLON 66 (UL)
- ◆ FLAME CLASS: 94V-2/94V-0
- ◆ COLOR: NATURAL/BLACK
- ◆ UNIT: mm

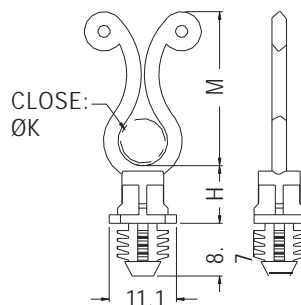


CHASSIS: ØG  
PANEL THICKNESS: T MIN.

PART NO	A	G	H	J	K	M	T	PACKAGE
WTL-11	11.1	7.9	6.5	8.6	11.0	28.6	6.4	500
WTL-19					19.0	37.5		

# HARNESS CLIP STANDOFF

- ◆ MATERIAL: NYLON 66 (UL)
- ◆ FLAME CLASS: 94V-2/94V-0
- ◆ COLOR: NATURAL/BLACK
- ◆ UNIT: mm



CHASSIS Ø7.9  
PANEL THICKNESS 6.4 MIN.

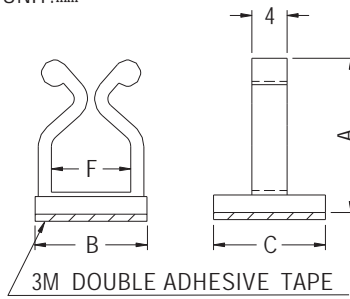
PART NO	H	K	M	PACKAGE
WTL-764	6.4	7.6~10.2	25.4	500
WTL-795	9.5			
WTL-7127	12.7			
WTL-7159	15.9	10.2~12.7	28.6	
WTL-1064	6.4			
WTL-1095	9.5			
WTL-10127	12.7			
WTL-10159	15.9	17.8~20.3	38.1	
WTL-1764	6.4			
WTL-1795	9.5			
WTL-17127	12.7			
WTL-17159	15.9			





# WIRE MOUNT

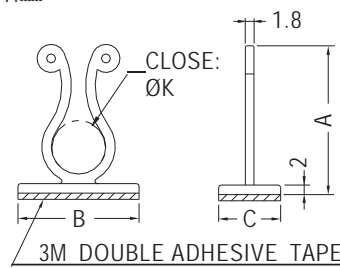
- ◆ MATERIAL: NYLON 66 (UL)
- ◆ FLAME CLASS: 94V-2/94V-0
- ◆ COLOR: NATURAL/BLACK
- ◆ UNIT: mm



PART NO	A	B	C	F	PACKAGE
MWS-26	17.51	12.7	12.7	9.0	1000

# WIRE HOLDER

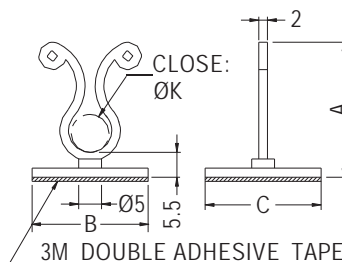
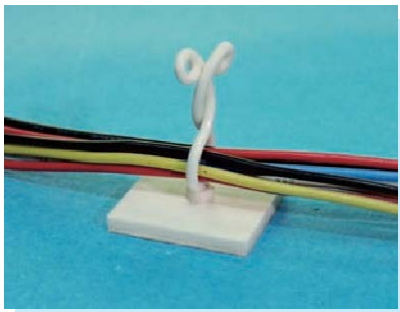
- ◆ MATERIAL: NYLON 66 (UL)
- ◆ FLAME CLASS: 94V-2/94V-0
- ◆ COLOR: NATURAL/BLACK
- ◆ UNIT: mm



PART NO	A	B	C	K	PACKAGE
KLF-11	31.2	25.4	13.0	11.43	500

# WIRE HOLDER

- ◆ MATERIAL: NYLON 66 (UL)
- ◆ FLAME CLASS: 94V-2/94V-0
- ◆ COLOR: NATURAL/BLACK
- ◆ UNIT: mm

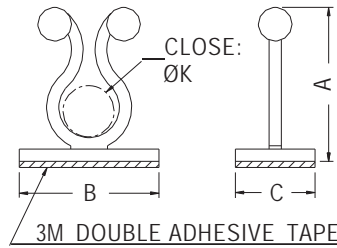
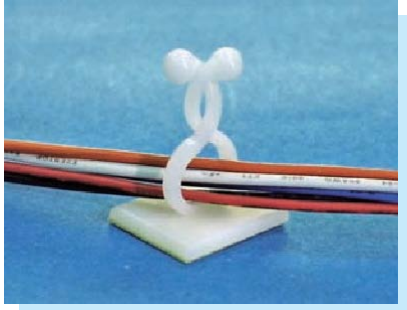


PART NO	A	B	C	K	PACKAGE
KLS-1	30.2	25.4	25.4	8.3	250



# WIRE HOLDER

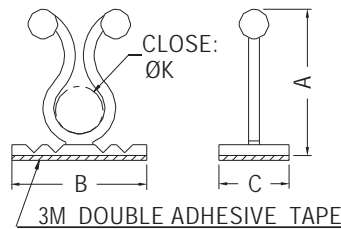
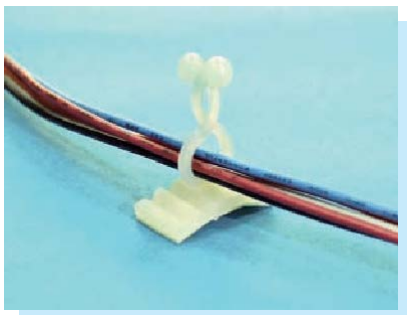
- ◆ MATERIAL: NYLON 66 (UL)
- ◆ FLAME CLASS: 94V-2/94V-0
- ◆ COLOR: NATURAL/BLACK
- ◆ UNIT: mm



PART NO	A	B	C	K	PACKAGE	UL
KL-1	31.9	20.0	20.0	13.8	250	UL
KL-2	26.2	20.0	14.0	8.5	500	UL
KL-2L	27.9	25.0	13.0	8.2		UL
KL-3	28.2	21.0	19.0	10.0		UL
KL-4	27.3	18.5	21.0	10.0		
KL-5	56.2	38.0	20.0	34.0	100	UL
KL-6	27.6	10.0	19.8	5.8	500	
KL-7	21.9	20.0	13.0	7.2		UL
KL-11	30.0	21.0	19.0	10.0		
KL-14	34.8	22.1	13.0	12.5	250	
KL-16	37.0	25.0	13.0	17.0		UL
KL-19	39.0	25.0	13.0	20.0		UL
KL-22	41.0	28.0	15.0	23.0		UL
KL-23	34.7	25.0	20.0	13.2		

# WIRE HOLDER

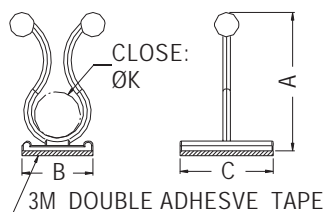
- ◆ MATERIAL: NYLON 66 (UL)
- ◆ FLAME CLASS: 94V-2/94V-0
- ◆ COLOR: NATURAL/BLACK
- ◆ UNIT: mm



PART NO	A	B	C	K	PACKAGE
KLB-1	27.4	25.0	13.0	8.4	500

# WIRE HOLDER

- ◆ MATERIAL: NYLON 66 (UL)
- ◆ FLAME CLASS: 94V-2/94V-0
- ◆ COLOR: NATURAL/BLACK
- ◆ UNIT: mm

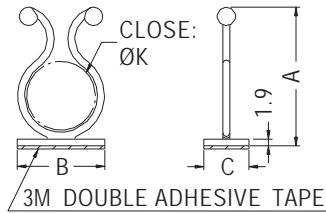


PART NO	A	B	C	K	PACKAGE
KLC-1	31.2	16.0	21.0	10.4	250

# WIRE HOLDER



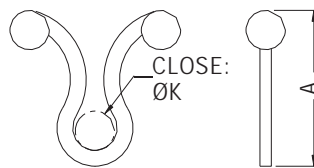
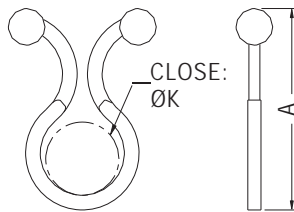
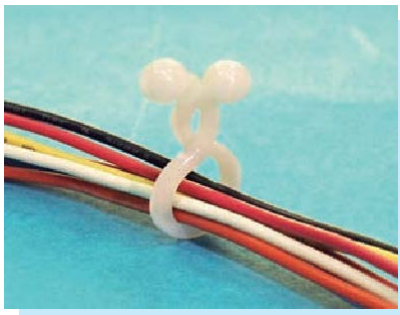
- ◆ MATERIAL: NYLON 66 (UL)
- ◆ FLAME CLASS: 94V-2/94V-0
- ◆ COLOR: NATURAL/BLACK
- ◆ UNIT: mm



PART NO	A	B	C	K	PACKAGE
KLR-1	39.9	25.2	13.0	19.0	500

# WIRE LOCK

- ◆ MATERIAL: NYLON 66 (UL)
- ◆ FLAME CLASS: 94V-2/94V-0
- ◆ COLOR: NATURAL/BLACK
- ◆ UNIT: mm

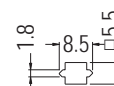
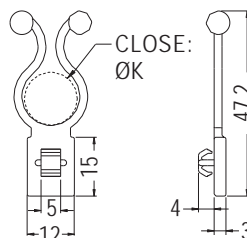
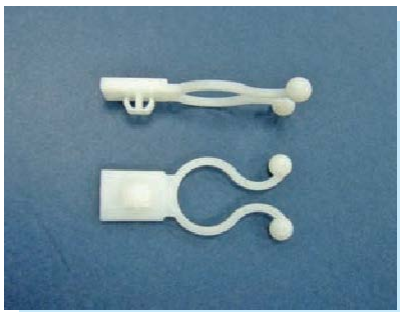


FOR TL-12, TL-34

PART NO	A	K	PACKAGE	UL
TL-1	17.8	4.0	1000	UL
TL-2	23.8	7.3		UL
TL-3A	27.5	10.0		UL
TL-4	30.4	13.8		UL
TL-5	35.0	17.2		UL
TL-6	41.4	24.2	500	UL
TL-7	42.0	19.5		UL
TL-8	16.5	5.0		
TL-9	30.0	9.7		
TL-10	38.5	16.3		
TL-11	22.0	4.2		
TL-12	26.0	8.0		
TL-13	32.5	11.5		
TL-14	35.1	14.5		
TL-27	46.0	27.0		
TL-28	55.5	26.8		
TL-29	40.0	17.0		
TL-31	40.0	20.0		
TL-32	35.0	13.5		
TL-34	17.8	4.0		

# WIRE SADDLE SIDE ENTRY

- ◆ MATERIAL: NYLON 66 (UL)
- ◆ FLAME CLASS: 94V-2/94V-0
- ◆ COLOR: NATURAL/BLACK
- ◆ UNIT: mm



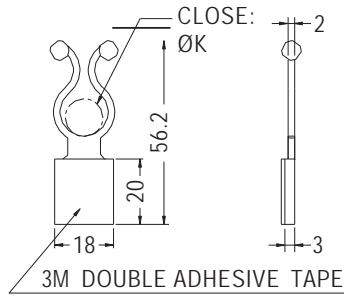
MOUNTING HOLE THICKNESS: T

PART NO	K	T	PACKAGE
THJA-1	13.5	0.8-1.6	500

# WIRE SADDLE SIDE ENTRY

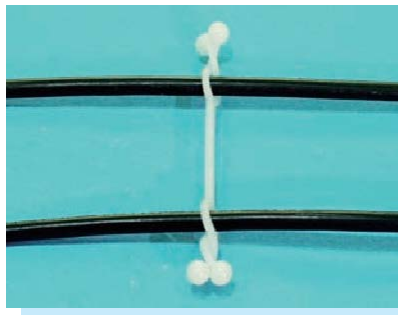


- ◆ MATERIAL: NYLON 66 (UL)
- ◆ FLAME CLASS: 94V-2/94V-0
- ◆ COLOR: NATURAL/BLACK
- ◆ UNIT: mm

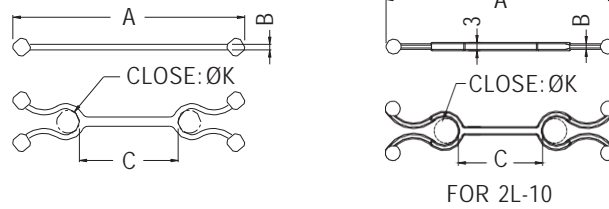


PART NO	K	PACKAGE
THM-1	13.0	1000

# WIRE LOCK SPACER



- ◆ MATERIAL: NYLON 66 (UL)
- ◆ FLAME CLASS: 94V-2/94V-0
- ◆ COLOR: NATURAL/BLACK
- ◆ UNIT: mm



**UL**  
E217732  
UL1565

PARTNO	A	B	C	K	PACKAGE	UL
2L-7	75.0	1.8	33.2	6.3	500	UL
2L-8	56.0	1.6	13.2	8.5		UL
2L-10	82.2	2.0	30.0	8.6		

# ANTI-EARTHQUAKE FASTENER

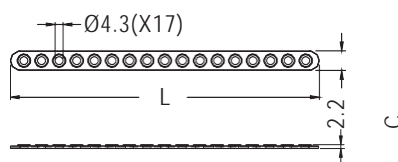


- ◆ MATERIAL: NYLON 66 (UL)
- ◆ FLAME CLASS: 94V-0/94V-2
- ◆ COLOR: NATURAL/BLACK
- ◆ UNIT: mm

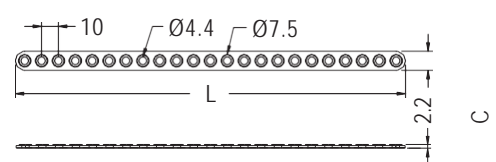


PART NO	C	L	POLES	PACKAGE
CCHD-172	10.0	172.75	19.0	500
CCHD-210	10.0	210.0	22.0	

PART NO	C	L	PACKAGE
CCHD-220	8.5	220.0	500



PART NO	C	L	PACKAGE
CCHD-175	11.0	175.0	500

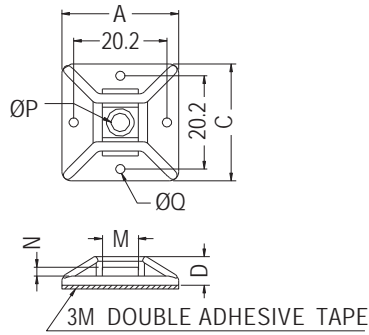


PART NO	C	L	PACKAGE
CCHD-231	11.0	231.0	500



# CABLE TIE MOUNT

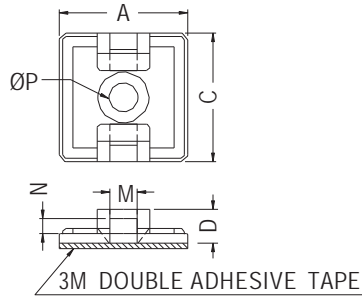
- ◆ MATERIAL: NYLON 66 (UL)
- ◆ FLAME CLASS: 94V-2/94V-0
- ◆ COLOR: NATURAL/BLACK
- ◆ UNIT: mm



PART NO	A	C	D	M	N	P	Q	PACKAGE
CM-1	25.3	25.3	6.2	7.8	1.9	4.0	2.0	500

# CABLE TIE MOUNT

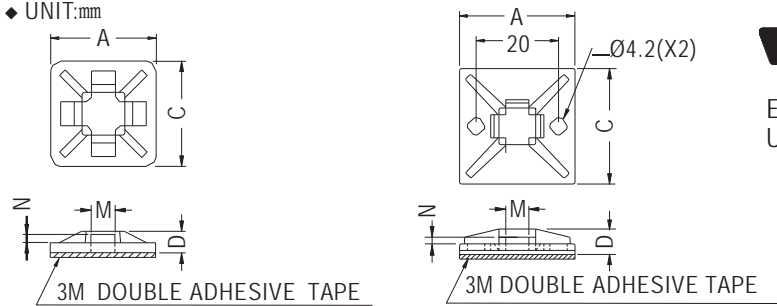
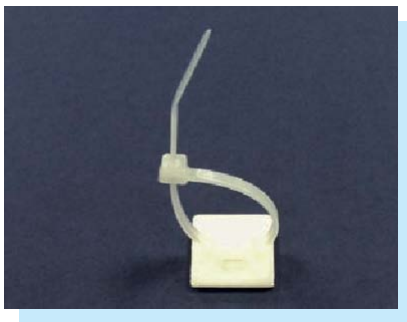
- ◆ MATERIAL: NYLON 66 (UL)
- ◆ FLAME CLASS: 94V-2/94V-0
- ◆ COLOR: NATURAL/BLACK
- ◆ UNIT: mm



PART NO	A	C	D	M	N	P	PACKAGE
CM-18	18.8	18.8	4.95	4.0	2.25	4.25	1000

# CABLE TIE MOUNT

- ◆ MATERIAL: NYLON 66 (UL)
- ◆ FLAME CLASS: 94V-2/94V-0
- ◆ COLOR: NATURAL/BLACK
- ◆ UNIT: mm



**UL**  
E217732  
UL 1565

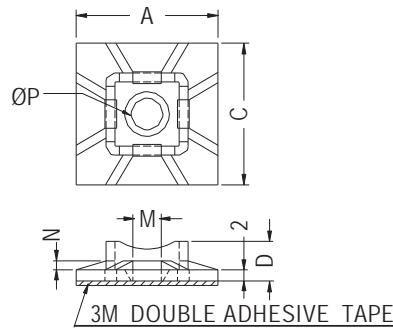
PARTNO	A	C	D	M	N	PACKAGE	UL
CM-13	13.0	13.0	3.2	3.2	1.3	1000	UL
CM-16	16.0	16.0	4.0	3.8	1.5		
CM-19	19.1	19.1	4.0	4.0	1.6	500	UL
CM-19L	19.5	19.5	4.8	5.0	1.7		
CM-20	20.0	20.0	4.2	4.8	1.6		UL
CM-28S	28.0	28.0	5.2	5.6	1.6	250	





# CABLE TIE MOUNT

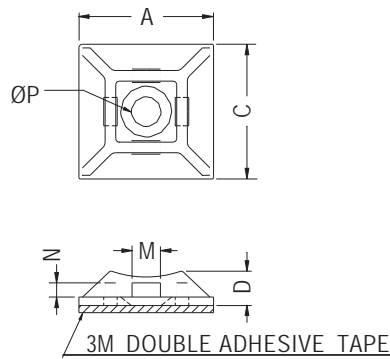
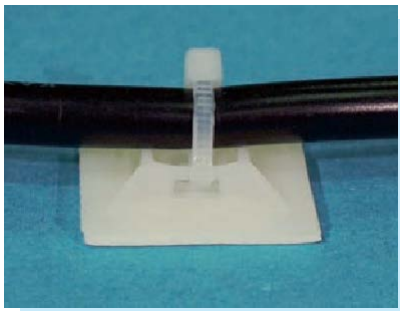
- ◆ MATERIAL: NYLON 66 (UL)
- ◆ FLAME CLASS: 94V-2/94V-0
- ◆ COLOR: NATURAL/BLACK
- ◆ UNIT: mm



PART NO	A	C	D	M	N	P	PACKAGE
CM-25	25.4	25.4	7.1	5.1	1.6	5.7	500

# CABLE TIE MOUNT

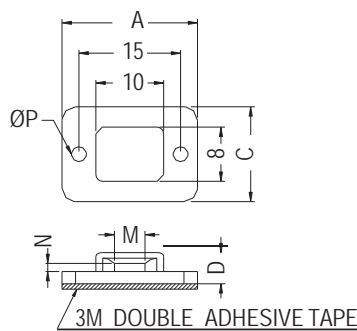
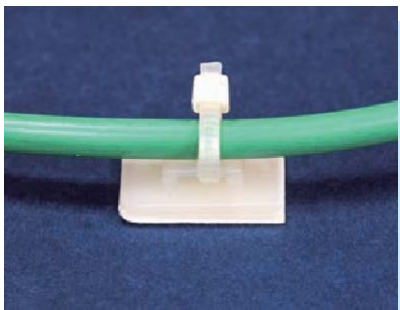
- ◆ MATERIAL: NYLON 66 (UL)
- ◆ FLAME CLASS: 94V-2/94V-0
- ◆ COLOR: NATURAL/BLACK
- ◆ UNIT: mm



PART NO	A	C	D	M	N	P	PACKAGE
CM-19S	19.0	19.0	5.0	4.0	1.9	4.0	500
CM-28	27.8	27.8	5.5	6.0	2.0	5.6	250

# CABLE TIE MOUNT

- ◆ MATERIAL: NYLON 66 (UL)
- ◆ FLAME CLASS: 94V-2/94V-0
- ◆ COLOR: NATURAL/BLACK
- ◆ UNIT: mm

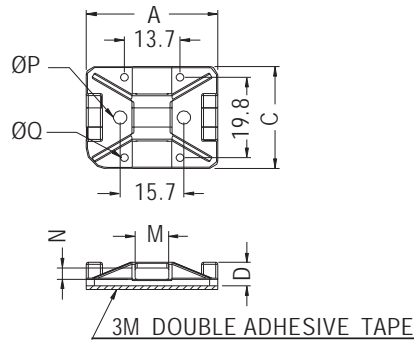


PART NO	A	C	D	M	N	P	PACKAGE
CM-29	20.0	14.0	4.6	4.5	1.2	2.2	1000



# CABLE TIE MOUNT

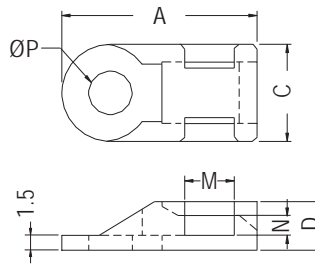
- ◆ MATERIAL: NYLON 66 (UL)
- ◆ FLAME CLASS: 94V-2/94V-0
- ◆ COLOR: NATURAL/BLACK
- ◆ UNIT: mm



PARTNO	A	C	D	M	N	P	Q	PACKAGE
CM-30	32.4	25.1	5.8	8.3	2.8	3.3	1.9	1000

# CABLE TIE MOUNT

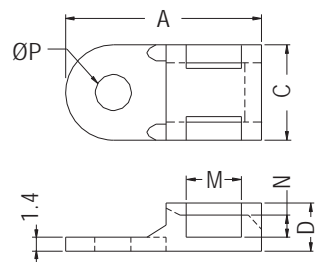
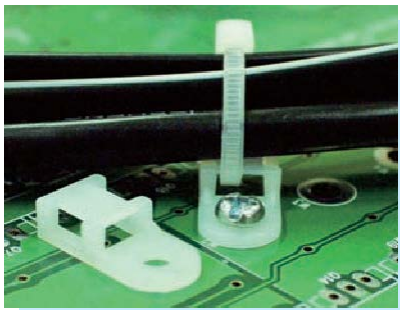
- ◆ MATERIAL: NYLON 66 (UL)
- ◆ FLAME CLASS: 94V-2/94V-0
- ◆ COLOR: NATURAL/BLACK
- ◆ UNIT: mm



PARTNO	A	C	D	M	N	P	PACKAGE
TH-1	19.5	9.6	4.9	5.0	2.0	4.4	1000

# CABLE TIE MOUNT

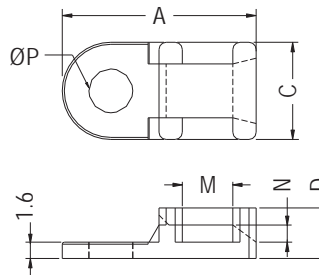
- ◆ MATERIAL: NYLON 66 (UL)
- ◆ FLAME CLASS: 94V-2/94V-0
- ◆ COLOR: NATURAL/BLACK
- ◆ UNIT: mm



PARTNO	A	C	D	M	N	P	PACKAGE
TH-3	19.5	9.5	4.8	5.5	2.2	3.6	1000
TH-3L	19.5	9.5	4.8	5.5	2.2	4.7	

# CABLE TIE MOUNT

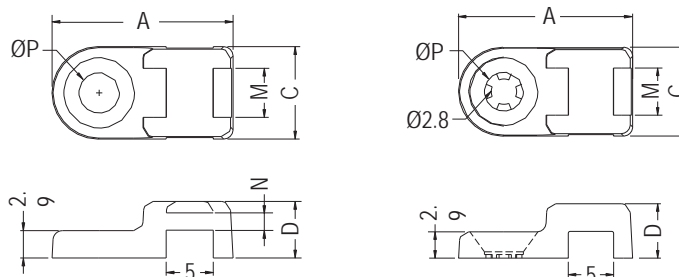
- ◆ MATERIAL: NYLON 66 (UL)
- ◆ FLAME CLASS: 94V-2/94V-0
- ◆ COLOR: NATURAL/BLACK
- ◆ UNIT: mm



PART NO	A	C	D	M	N	P	PACKAGE
TH-4	19.0	9.52	4.95	4.95	1.68	4.3	1000
TH-7						6.5	

# CABLE TIE MOUNT

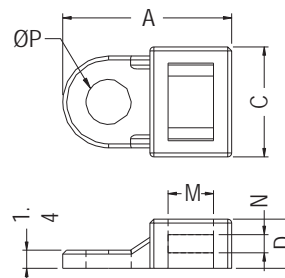
- ◆ MATERIAL: NYLON 66 (UL)
- ◆ FLAME CLASS: 94V-2/94V-0
- ◆ COLOR: NATURAL/BLACK
- ◆ UNIT: mm



PART NO	A	C	D	M	N	P	PACKAGE
TH-5	19.2	9.8	6.0	5.2	1.9	4.3	1000
TH-5-1	19.2	9.8	6.0	5.2		4.3	

# CABLE TIE MOUNT

- ◆ MATERIAL: NYLON 66 (UL)
- ◆ FLAME CLASS: 94V-2/94V-0
- ◆ COLOR: NATURAL/BLACK
- ◆ UNIT: mm

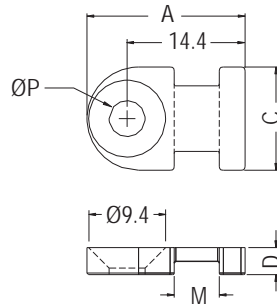


PART NO	A	C	D	M	N	P	PACKAGE
TH-6	13.07	8.5	3.8	3.52	1.4	3.5	1000



## CABLE TIE MOUNT

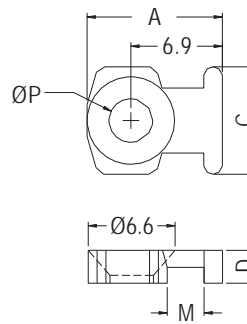
- ◆ MATERIAL: NYLON 66 (UL)
- ◆ FLAME CLASS: 94V-2/94V-0
- ◆ COLOR: NATURAL/BLACK
- ◆ UNIT: mm



PARTNO	A	C	D	M	P	PACKAGE
TH-8	19.3	12.6	3.3	5.5	4.4	1000

## CABLE TIE MOUNT

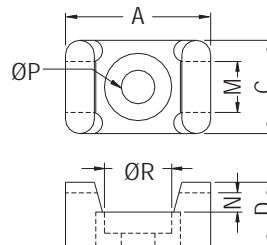
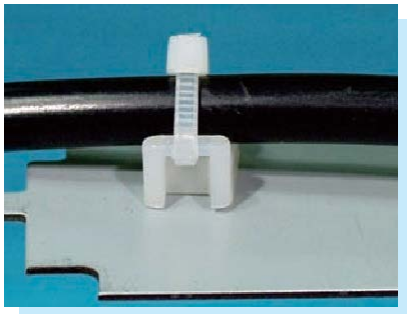
- ◆ MATERIAL: NYLON 66 (UL)
- ◆ FLAME CLASS: 94V-2/94V-0
- ◆ COLOR: NATURAL/BLACK
- ◆ UNIT: mm



PARTNO	A	C	D	M	P	PACKAGE
TH-9	10.2	8.1	2.5	2.8	3.3	1000

## CABLE TIE MOUNT

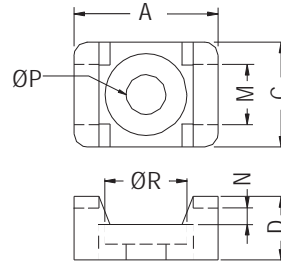
- ◆ MATERIAL: NYLON 66 (UL)
- ◆ FLAME CLASS: 94V-2/94V-0
- ◆ COLOR: NATURAL/BLACK
- ◆ UNIT: mm



PARTNO	A	C	D	M	N	P	R	PACKAGE
TH-2	15.2	9.7	6.6	5.2	2.0	3.5	6.9	1000
TH-2S	13.3	8.2	5.85	3.6	1.75	3.2	5.9	

# CABLE TIE MOUNT

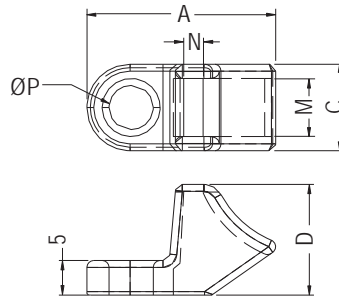
- ◆ MATERIAL: NYLON 66 (UL)
- ◆ FLAME CLASS: 94V-2/94V-0
- ◆ COLOR: NATURAL/BLACK
- ◆ UNIT: mm



PART NO	A	C	D	M	N	P	R	PACKAGE
TM-2S6	14.9	9.6	7.2	5.6	1.5	3.7	7.8	1000
TM-2S8	14.9	9.6	7.2	5.6	1.5	4.5	7.8	
TM-3S8	22.0	16.0	9.6	9.2	2.3	4.5	8.0	500
TM-3S10	22.0	16.0	9.6	9.2	2.3	4.8	9.6	
TM-3S25	22.0	16.0	9.6	9.2	2.3	6.4	12.7	

# CABLE TIE MOUNT

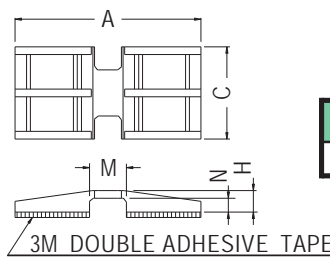
- ◆ MATERIAL: NYLON 66 (UL)
- ◆ FLAME CLASS: 94V-2/94V-0
- ◆ COLOR: NATURAL/BLACK
- ◆ UNIT: mm



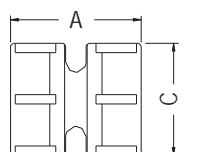
PART NO	A	C	D	M	N	P	PACKAGE
THMA-1	27.3	12.5	16.0	8.4	3.0	6.4	1000

# CABLE TIE MOUNT

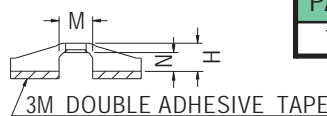
- ◆ MATERIAL: NYLON 66 (UL)
- ◆ FLAME CLASS: 94V-2/94V-0
- ◆ COLOR: NATURAL/BLACK
- ◆ UNIT: mm



PART NO	A	C	H	M	N	PACKAGE
THU-1	24.2	12.0	2.8	4.8	1.8	1000



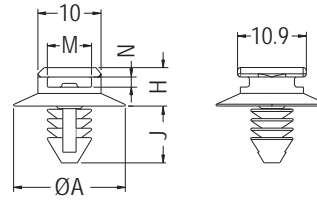
PART NO	A	C	H	M	N	PACKAGE
THU-2	14.0	12.0	3.0	3.6	2.0	1000





# CABLE TIE MOUNT

- ◆ MATERIAL: NYLON 66 (UL)
- ◆ FLAME CLASS: 94V-2/94V-0
- ◆ COLOR: NATURAL/BLACK
- ◆ UNIT: mm

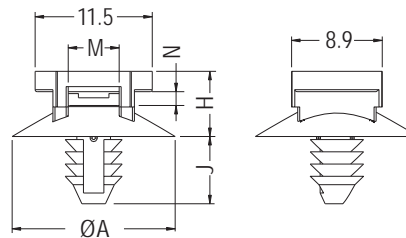


MOUNTING HOLE: ØG  
THICKNESS: T

PARTNO	A	G	H	J	M	N	T	PACKAGE
CCMF-2	17.7	6.0	6.1	9.0	7.0	1.6	0.8-9.0	1000

# CABLE TIE MOUNT

- ◆ MATERIAL: NYLON 66 (UL)
- ◆ FLAME CLASS: 94V-2/94V-0
- ◆ COLOR: NATURAL/BLACK/GRAY
- ◆ UNIT: mm

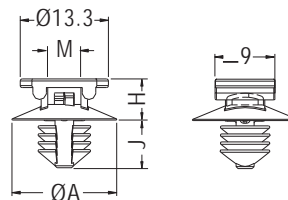


MOUNTING HOLE: ØG  
THICKNESS: T

PARTNO	A	G	H	J	M	N	T	PACKAGE
CCMF-3	16.0	4.5-5.0	6.4	6.6	5.0	1.15	0.8-7.0	1000

# CABLE TIE MOUNT

- ◆ MATERIAL: NYLON 66 (UL)
- ◆ FLAME CLASS: 94V-2/94V-0
- ◆ COLOR: NATURAL/BLACK
- ◆ UNIT: mm

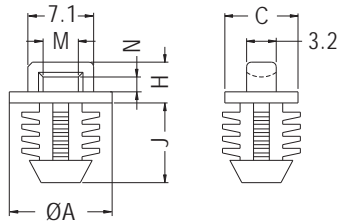


MOUNTING HOLE: ØG  
THICKNESS: T

PART NO	A	G	H	J	M	T	PACKAGE
CCMF-5	15.8	6.5-7.0	6.3	7.2	5.0	0.8-3.0	1000

# CABLE TIE MOUNT

- ◆ MATERIAL: NYLON 66 (UL)
- ◆ FLAME CLASS: 94V-2/94V-0
- ◆ COLOR: NATURAL/BLACK
- ◆ UNIT: mm

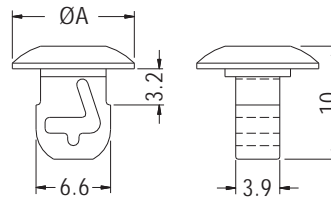
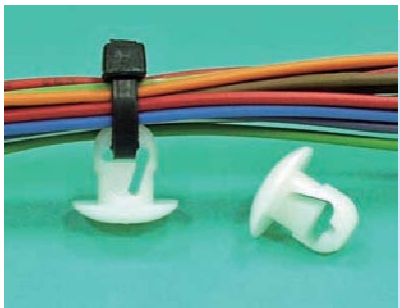


CHASSIS: ØG  
THICKNESS: T MIN.

PART NO	A	C	G	H	J	M	N	T	PACKAGE
CCMF-1	11.1	8.3	7.9	4.4	8.6	3.8	1.6	6.4	1000

# CABLE TIE MOUNT

- ◆ MATERIAL: NYLON 66 (UL)
- ◆ FLAME CLASS: 94V-2/94V-0
- ◆ COLOR: NATURAL/BLACK
- ◆ UNIT: mm

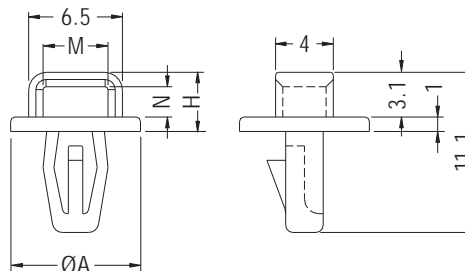


CHASSIS Ø6.4

PART NO	A	PACKAGE
CCM-1	10.8	1000

# CABLE TIE MOUNT

- ◆ MATERIAL: NYLON 66 (UL)
- ◆ FLAME CLASS: 94V-2/94V-0
- ◆ COLOR: NATURAL/BLACK
- ◆ UNIT: mm

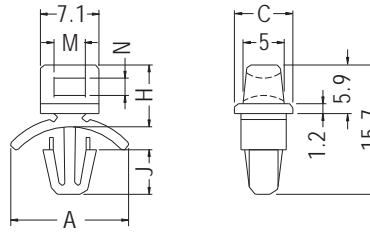


CHASSIS: ØG  
THICKNESS: T

PART NO	A	G	H	M	N	T	PACKAGE
CCMT-2	9.0	4.0	4.1	4.5	2.1	1.6~2.0	1000

# CABLE TIE MOUNT

- ◆ MATERIAL: NYLON 66 (UL)
- ◆ FLAME CLASS: 94V-2/94V-0
- ◆ COLOR: NATURAL/BLACK
- ◆ UNIT: mm

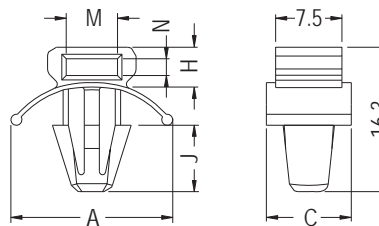
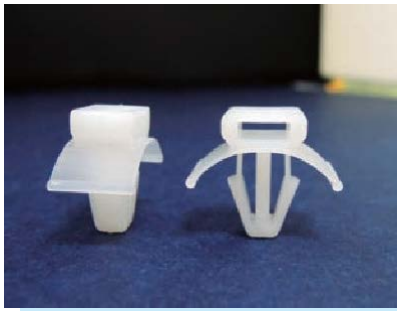


CHASSIS: ØG  
THICKNESS: T

PART NO	A	C	G	H	J	M	N	T	PACKAGE
CCME-1	14.3	7.1	4.8	7.5	5.4	3.8	2.1	0.8~2.0	1000

# CABLE TIE MOUNT

- ◆ MATERIAL: NYLON 66 (UL)
- ◆ FLAME CLASS: 94V-2/94V-0
- ◆ COLOR: NATURAL/BLACK
- ◆ UNIT: mm

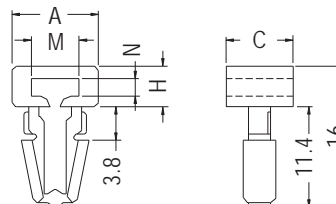


HOLE: ØG  
THICKNESS: T

PART NO	A	C	G	H	J	M	N	T	PACKAGE
CCMW-3	18.3	9.6	6.2~6.35	4.5	7.5	5.8	1.9	0.8~3.6	1000

# CABLE TIE MOUNT

- ◆ MATERIAL: NYLON 66 (UL)
- ◆ FLAME CLASS: 94V-0/94V-2
- ◆ COLOR: NATURAL/BLACK
- ◆ UNIT: mm

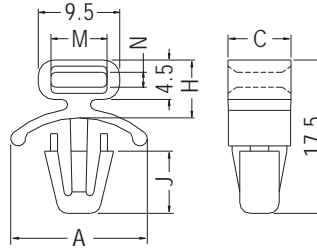
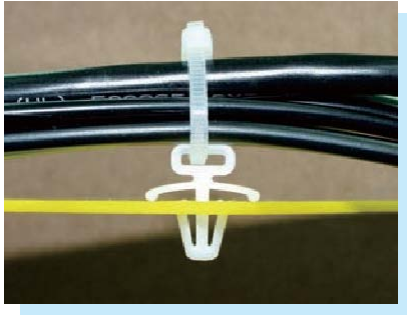


PANEL HOLE DIA: ØG  
PANEL THICKNESS: T MAX.

PART NO	A	C	G	H	M	N	T	PACKAGE
CCMV-1	9.8	7.6	6.4	4.6	5.4	2.0	3.17	1000

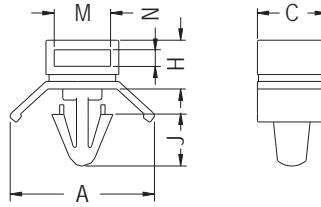
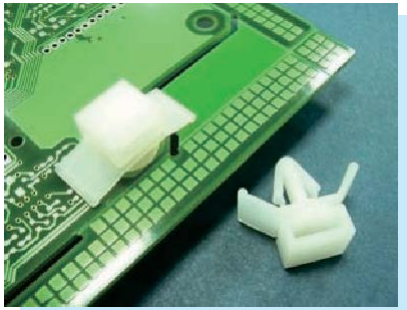
# CABLE TIE MOUNT

- ◆ MATERIAL: NYLON 66 (UL)
- ◆ FLAME CLASS: 94V-0/94V-2
- ◆ COLOR: NATURAL/BLACK
- ◆ UNIT: mm



CHASSIS: ØG  
THICKNESS: T

PART NO	A	C	G	H	J	M	N	T	PACKAGE
CCMW-1	15.6	7.2	6.4	6.6	7.1	6.4	1.7	1.2-2.8	1000

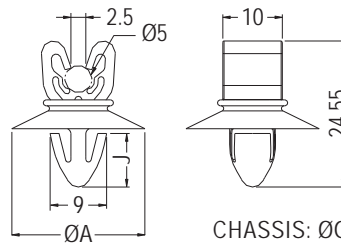


CHASSIS: ØG  
THICKNESS: T

PART NO	A	C	G	H	J	M	N	T	PACKAGE
CCMW-2	21.0	10.0	6.2	7.1	7.5	8.2	2.4	0.8-3.2	1000

# WIRE MOUNT

- ◆ MATERIAL: NYLON 66 (UL)
- ◆ FLAME CLASS: 94V-2/94V-0
- ◆ COLOR: NATURAL/BLACK
- ◆ UNIT: mm



CHASSIS: ØG  
THICKNESS: T

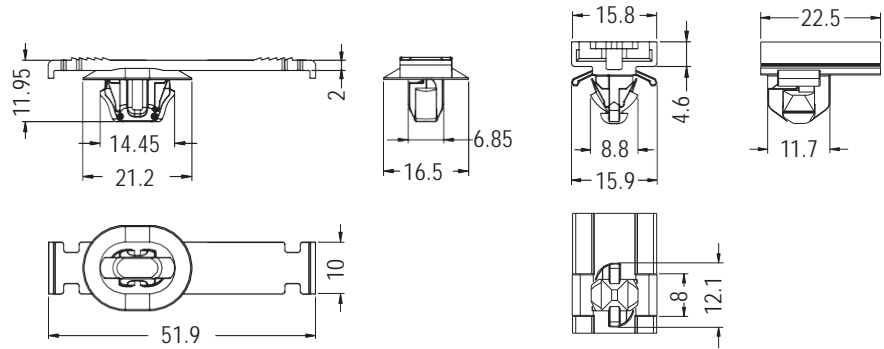
PART NO	A	G	J	T	PACKAGE
CHUK-1	22.4	8.0	9.0	1.2	500



# SOCKET MOUNT



- ◆ MATERIAL:PP (UL)
- ◆ FLAME CLASS:94HB
- ◆ COLOR:NATURAL/BLACK
- ◆ UNIT:mm



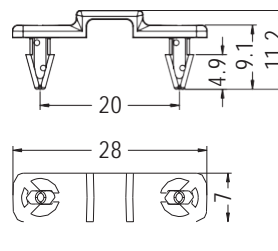
PART NO	PACKAGE
YJECL-1	500

PART NO	PACKAGE
YJECL-2	500



# CABLE CLAMP

- ◆ MATERIAL:PC (UL)
- ◆ FLAME CLASS:94V-2
- ◆ COLOR:NATURAL/TRANSPARENT
- ◆ UNIT:mm

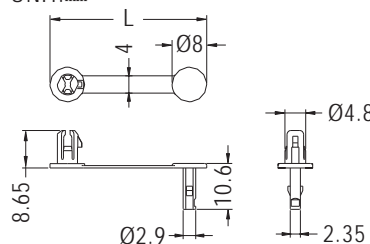


PART NO	G	T	PACKAGE
LPZ-5	3.0	2.4	1000

CHASSIS: ØG  
THICKNESS: T

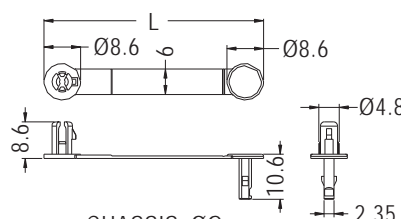
# WIRE BUTTON

- ◆ MATERIAL:NYLON 6/NYLON 66 (UL)
- ◆ FLAME CLASS:94V-2/94V-0
- ◆ COLOR:NATURAL/BLACK
- ◆ UNIT:mm



PART NO	G	L	T	PACKAGE
CCU-1	4.8	36.2	3.5	500

CHASSIS: ØG  
THICKNESS: T



PART NO	G	L	T	PACKAGE
CCU-2	4.8	51.6	0.8~3.2	500
CCU-3		71.6	0.6~3.0	
CCU-4		99.0	0.6~3.0	

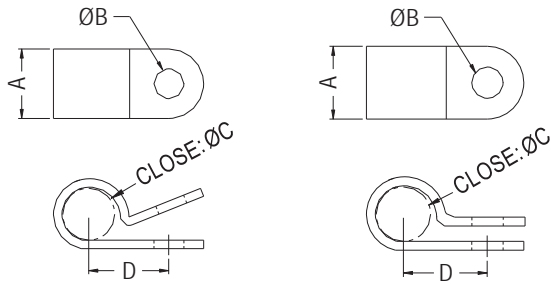
CHASSIS: ØG  
THICKNESS: T



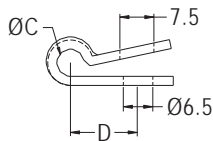
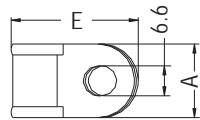


# CABLE CLAMP

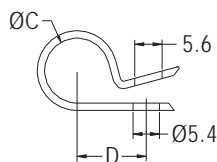
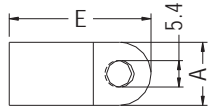
- ◆ MATERIAL: NYLON 66 (UL)
- ◆ FLAME CLASS: 94V-2/94V-0
- ◆ COLOR: NATURAL/BLACK
- ◆ UNIT: mm



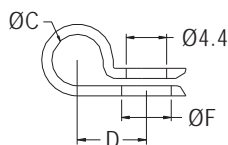
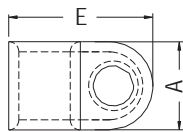
FOR CC-10, CC-35, CC-50



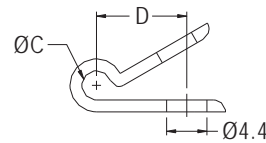
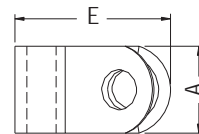
PART NO	A	C	D	E	PACKAGE
CC-21	16.2	6.0	14.9	28.0	500



PART NO	A	C	D	E	PACKAGE
CC-23	12.9	13.3	14.15	29.0	500



PART NO	A	C	D	E	F	PACKAGE
CC-24	9.6	5.6	7.5	15.7	4.4	500
★ CC-45	9.6	5.6	7.5	15.7	4.5	



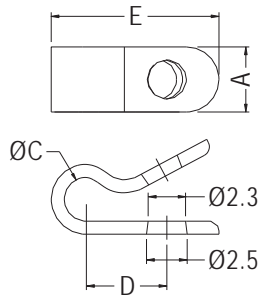
PART NO	A	C	D	E	PACKAGE
CC-25	9.5	3.2	9.86	17.0	500
CC-26	9.5	4.8	11.1	19.0	

PART NO	A	B	C		D	PACKAGE
			mm	inch		
CC-1SS	6.5	3.8	3.2	1/8	6.8	1000
CC-1S	9.2	5.4	3.2	1/8	8.2	
CC-1	13.2	5.4	3.0	1/8	8.9	
CC-2	10.0	5.4	4.5	3/16	10.2	
CC-3	9.3	5.0	6.2	1/4	10.2	
CC-4	9.5	5.0	7.6	5/16	10.5	
CC-4L	9.2	5.4	8.0	5/16	10.7	
CC-5	9.5	4.8	9.0	3/8	12.4	
CC-5L	12.3	5.4	9.0	3/8	13.2	
CC-6	12.7	4.8	11.5	1/2	14.7	
CC-7	12.9	5.4	12.8	1/2	16.0	
CC-7S	12.5	4.8	15.5	5/8	17.1	
CC-8	12.9	5.4	17.0	3/4	20.2	200
CC-9	12.9	5.4	20.0	7/8	21.2	250
CC-10	12.9	5.4	24~27	1-1/8	23.5	200
CC-12	9.9	4.4	3.0	1/8	8.5	1000
CC-13	9.5	3.2	8.3	5/16	12.0	
CC-14	6.3	3.7	3.5	1/7	6.4	
CC-15	9.6	4.4	5.6	1/4	12.1	
CC-16	11.6	6.4	5.6	1/4	12.1	
CC-17	10.0	4.2	5.0	1/4	9.5	
CC-18	10.0	4.2	11.0	7/16	13.0	
CC-19	9.9	4.4	4.5	3/16	7.75	
CC-20	10.0	4.3	6.5	1/4	9.9	
CC-31	10.0	4.2	11.5	1/2	14.0	
CC-32	10.0	4.2	5.0	1/4	9.5	
CC-35	6.5	3.3	3.0	1/8	9.5	
CC-37	10.9	5.0	7.5	5/16	10.5	
CC-38	12.9	6.6	7.5	5/16	10.5	
★ CC-44	10.0	3.5	4.5	3/16	10.2	
★ CC-50	4.0	2.5	3.1	1/8	6.0	

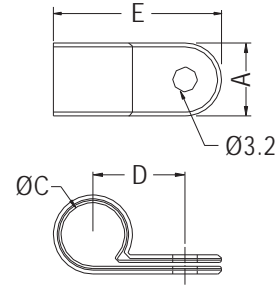


# CABLE CLAMP

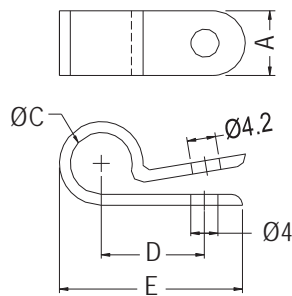
- ◆ MATERIAL: NYLON 66 (UL)
- ◆ FLAME CLASS: 94V-2/94V-0
- ◆ COLOR: NATURAL/BLACK
- ◆ UNIT: mm



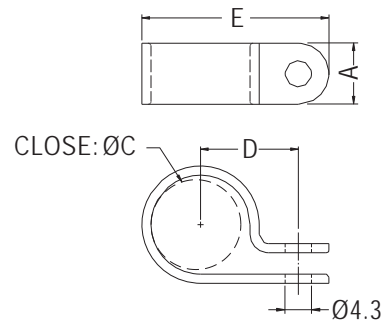
PART NO	A	C	D	E	PACKAGE
CC-28	4.0	2.7	4.95	10.3	1000



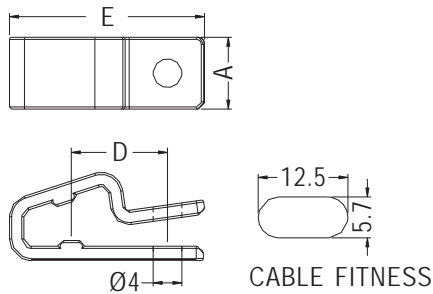
PART NO	A	C	D	E	PACKAGE
CC-29	9.5	8.3	12.0	21.9	1000



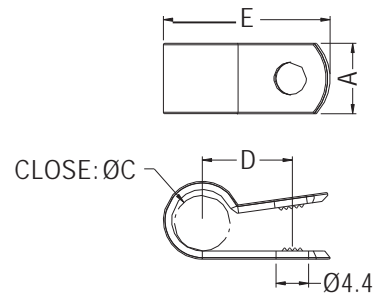
PART NO	A	C	D	E	PACKAGE
CC-42	9.5	9.1	15.15	26.9	1000



PART NO	A	C	D	E	PACKAGE
★ CC-46	10.0	14.7	16.0	30.6	1000



PART NO	A	D	E	PACKAGE
CCP-2	10.0	13.4	27.0	1000



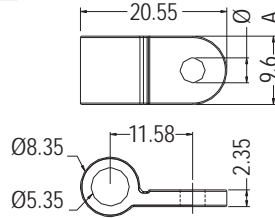
PART NO	A	C	D	E	PACKAGE
CCF-1	9.5	7.5	12.15	22.5	1000



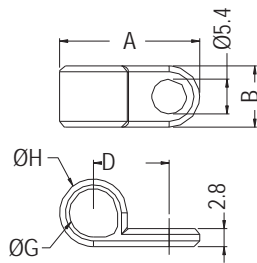
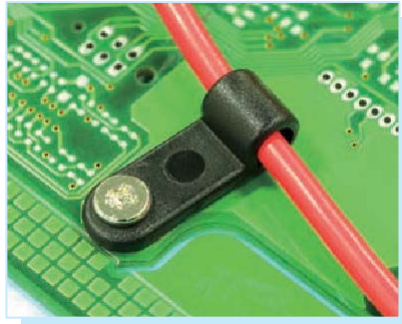
# WIRE MOUNT



- ◆ MATERIAL: NYLON 66 (UL)
- ◆ FLAME CLASS: 94V-2/94V-0
- ◆ COLOR: NATURAL/BLACK
- ◆ UNIT: mm



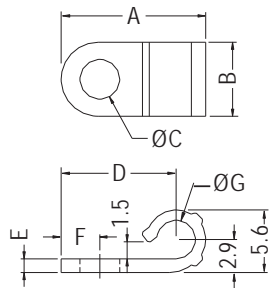
PART NO	A	PACKAGE
CCO-1	3.5	500
CCO-2	4.7	



PART NO	A	B	D	G	H	PACKAGE
CCO-4	21.75	9.5	11.75	7.5	10.5	500
CCO-5	28.2	10.0	19.0	5.4	8.4	

# WIRE MOUNT

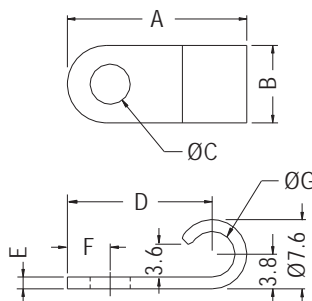
- ◆ MATERIAL: NYLON 66 (UL)
- ◆ FLAME CLASS: 94V-2/94V-0
- ◆ COLOR: NATURAL/BLACK
- ◆ UNIT: mm



PART NO	A	B	C	D	E	F	G	PACKAGE
CD-3.4	12.85	6.5	3.5	10.1	1.2	3.4	3.4	500

# CABLE CLAMP

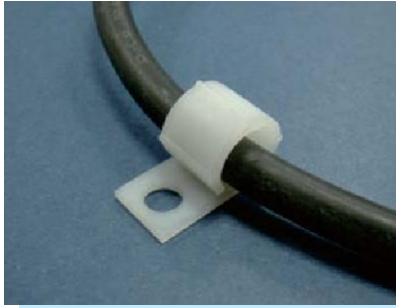
- ◆ MATERIAL: NYLON 66 (UL)
- ◆ FLAME CLASS: 94V-2/94V-0
- ◆ COLOR: NATURAL/BLACK
- ◆ UNIT: mm



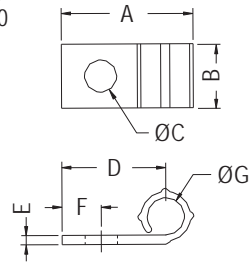
PART NO	A	B	C	D	E	F	G	PACKAGE
CD-5	19.7	8.5	4.4	15.9	1.3	4.7	5.0	500



# WIRE MOUNT



- ◆ MATERIAL: NYLON 66 (UL)
- ◆ FLAME CLASS: 94V-2/94V-0
- ◆ COLOR: NATURAL/BLACK
- ◆ UNIT: mm

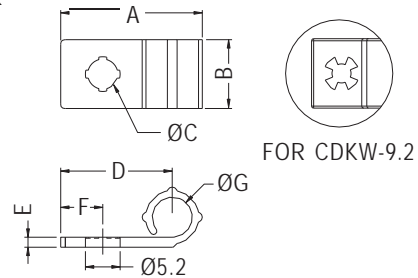


PARTNO	A	B	C	D	E	F	G	PACKAGE
CD-6	21.2	10.3	5.2	16.7	1.5	6.3	6.0	500
CD-6S			3.2					
CD-9.2	20.0	10.2	5.2	14.5	1.3	4.4	9.2	
CD-9.2S			3.2					

# WIRE MOUNT



- ◆ MATERIAL: NYLON 66 (UL)
- ◆ FLAME CLASS: 94V-2/94V-0
- ◆ COLOR: NATURAL/BLACK
- ◆ UNIT: mm

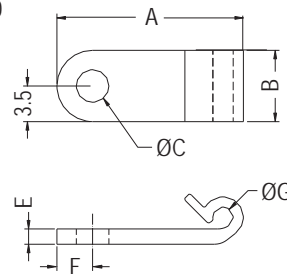


PARTNO	A	B	C	D	E	F	G	PACKAGE
CDKW-6	21.2	10.3	4.5	16.7	1.5	6.3	6.0	1000
CDKW-6-3			3.0					
CDKW-9.2	20.7	10.2	2.8	14.0	1.3	4.4	9.2	

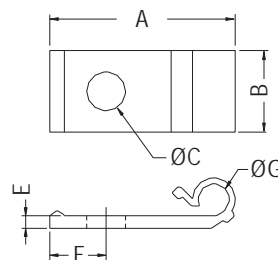
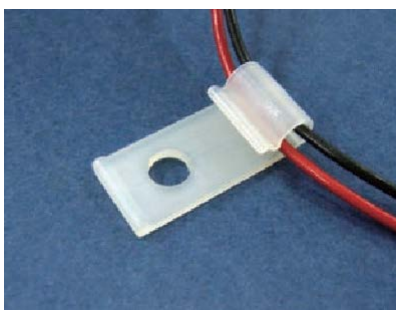
# WIRE MOUNT



- ◆ MATERIAL: NYLON 66 (UL)
- ◆ FLAME CLASS: 94V-2/94V-0
- ◆ COLOR: NATURAL/BLACK
- ◆ UNIT: mm



PARTNO	A	B	C	E	F	G	PACKAGE
CDV-2.3	18.3	7.0	3.2	1.5	3.5	2.0	1000

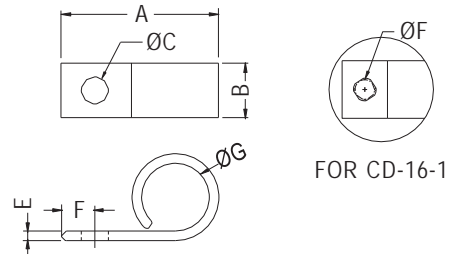
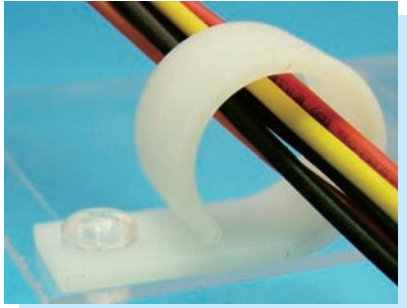


PARTNO	A	B	C	E	F	G	PACKAGE
CDV-3.2	19.1	8.4	4.0	1.3	5.8	3.2	1000



# WIRE MOUNT

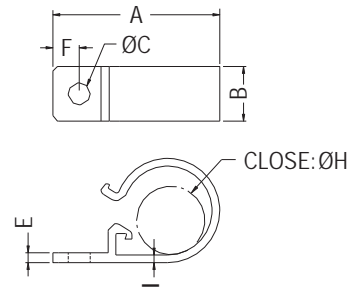
- ◆ MATERIAL: NYLON 66 (UL)
- ◆ FLAME CLASS: 94V-2/94V-0
- ◆ COLOR: NATURAL/BLACK
- ◆ UNIT: mm



PART NO	A	B	C	E	F	G	PACKAGE
CD-12.7	29.5	10.2	5.08	1.8	6.35	12.7	500
CD-12.7-3.2	29.5	10.2	3.2	1.8	6.35	12.7	
CD-16	30.0	12.7	5.0	2.0	5.0	16.0	
CD-16-1	30.0	12.7	5.0	2.0	5.0	16.0	
CD-19	32.54	12.7	5.18	2.03	4.82	19.05	
CD-26	39.85	12.6	5.15	2.2	5.18	26.0	250
CD-40	53.5	12.6	5.0	2.5	4.8	36.9	100

# WIRE MOUNT

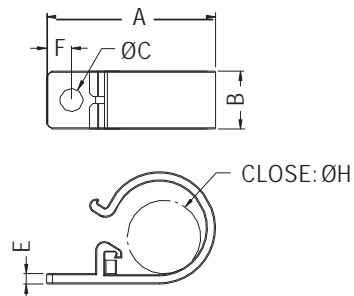
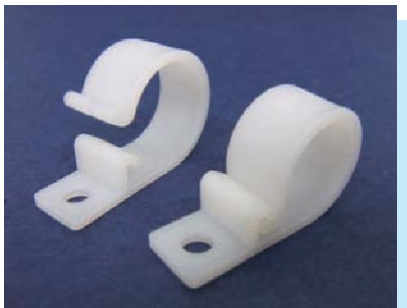
- ◆ MATERIAL: NYLON 66 (UL)
- ◆ FLAME CLASS: 94V-2/94V-0
- ◆ COLOR: NATURAL/BLACK
- ◆ UNIT: mm



PART NO	A	B	C	E	F	H	I	PACKAGE
CCA-1	30.4	9.95	4.0	1.8	4.8	12.5	1.4	1000
CCA-2	30.4	9.95	4.0	1.4	4.8	12.5	1.3	

# WIRE MOUNT

- ◆ MATERIAL: NYLON 66 (UL)
- ◆ FLAME CLASS: 94V-2/94V-0
- ◆ COLOR: NATURAL/BLACK
- ◆ UNIT: mm



PART NO	A	B	C	E	F	H	PACKAGE
CCB-1	29.2	10.0	4.0	1.8	4.3	12.7	500
CCB-2	21.0	10.0	4.0	1.2	6.0	5.5	
CCB-2S	21.0	10.0	3.1	1.2	6.0	5.5	
CCB-3	39.6	12.7	4.0	2.0	4.2	17.8	200
CCB-4	50.0	12.7	4.0	2.2	4.3	25.0	

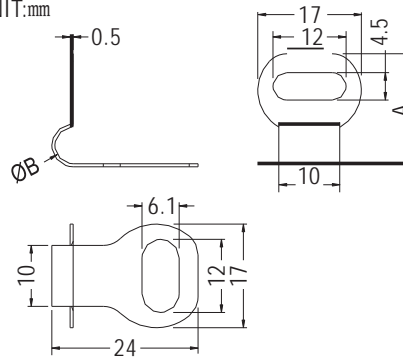




# GROUNDING CABLE CLAMP



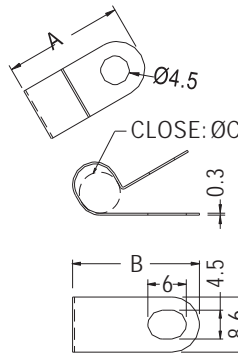
- ◆ MATERIAL:SPTE
- ◆ UNIT:mm



PARTNO	A	B	PACKAGE
KMCC-1	18.55	6.0	500
KMCC-2	19.6	8.0	

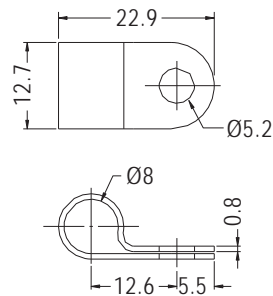
# GROUNDING CABLE CLAMP

- ◆ MATERIAL:STAINLESS
- ◆ UNIT:mm



PARTNO	A	B	C	PACKAGE
KTCC-3	17.20	17.60	3.0	1000
KTCC-4			4.0	
KTCC-5	17.90	18.70	4.8	
KTCC-6	18.70	19.80	6.4	
KTCC-9	18.65	20.62	9.0	

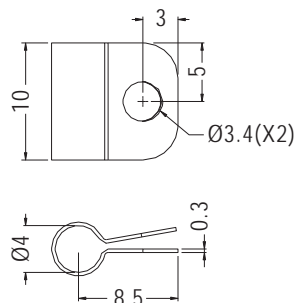
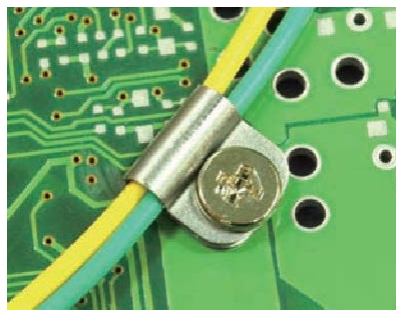
- ◆ MATERIAL:ALUMINIUM
- ◆ UNIT:mm



PARTNO	PACKAGE
★ KTCC-12	1000

# GROUNDING CABLE CLAMP

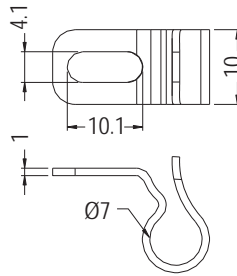
- ◆ MATERIAL:STEEL
- ◆ FINISH:ZINC PLATED
- ◆ UNIT:mm



PARTNO	PACKAGE
KTCC-16	1000

# WIRE MOUNT

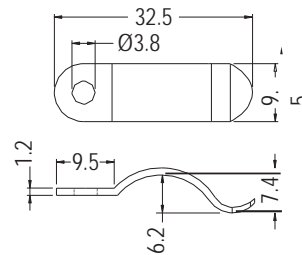
- ◆ MATERIAL: NYLON 66 (UL)
- ◆ FLAME CLASS: 94V-2/94V-0
- ◆ COLOR: NATURAL/BLACK
- ◆ UNIT: mm



PART NO	PACKAGE
CCMG-1	500

# WIRE MOUNT

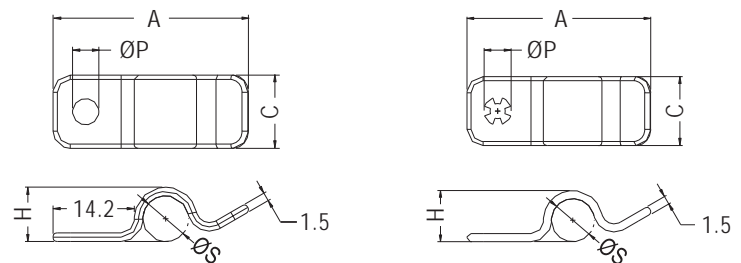
- ◆ MATERIAL: POM (UL)
- ◆ FLAME CLASS: 94HB
- ◆ COLOR: BLACK
- ◆ UNIT: mm



PART NO	PACKAGE
CDK-1	1000

# WIRE MOUNT

- ◆ MATERIAL: NYLON 66 (UL)
- ◆ FLAME CLASS: 94V-2/94V-0
- ◆ COLOR: NATURAL/BLACK
- ◆ UNIT: mm



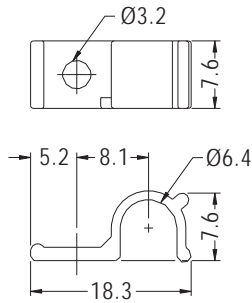
FOR CDK-3-1

PART NO	A	C	H	P	S	PACKAGE
CDK-3	34.15	12.8	9.5	4.6	8.0	1000
CDK-3-1	34.15	12.8	9.5	5.2	8.0	



# WIRE MOUNT

- ◆ MATERIAL: NYLON 66 (UL)
- ◆ FLAME CLASS: 94V-2/94V-0
- ◆ COLOR: NATURAL/BLACK
- ◆ UNIT: mm

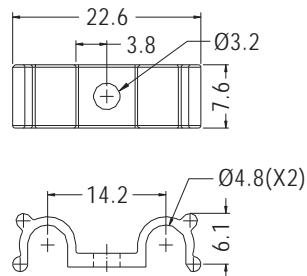


PART NO	PACKAGE
CDK-5	1000

# WIRE MOUNT



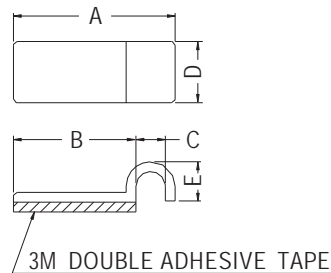
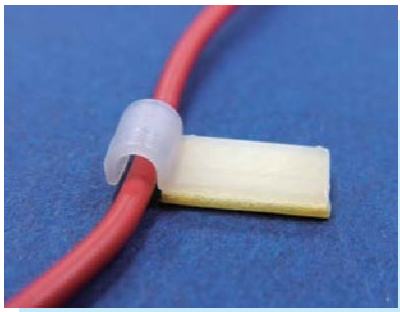
- ◆ MATERIAL: NYLON 66 (UL)
- ◆ FLAME CLASS: 94V-2/94V-0
- ◆ COLOR: NATURAL/BLACK
- ◆ UNIT: mm



PART NO	PACKAGE
CLIA-3	1000

# WIRE MOUNT

- ◆ MATERIAL: NYLON 66 (UL)
- ◆ FLAME CLASS: 94V-2/94V-0
- ◆ COLOR: NATURAL/BLACK
- ◆ UNIT: mm

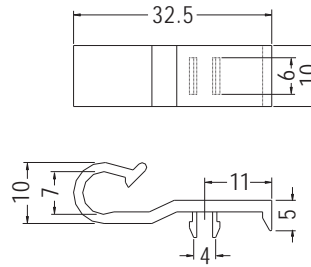


PART NO	A	B	C	D	E	PACKAGE
CDK-2	13.2	10.0	2.4	5.0	3.2	1000
CDK-6	12.3	10.0	1.5	5.0	2.4	



## WIRE MOUNT

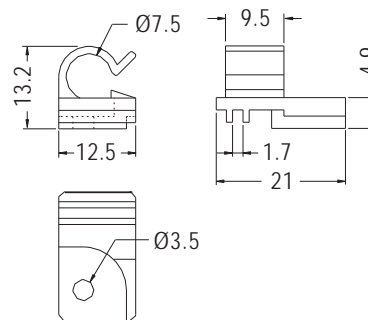
- ◆ MATERIAL: NYLON 66 (UL)
- ◆ FLAME CLASS: 94V-2/94V-0
- ◆ COLOR: NATURAL/BLACK
- ◆ UNIT: mm



PART NO	PACKAGE
WCL-2	500

## WIRE MOUNT

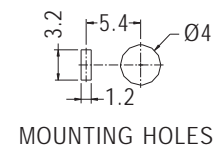
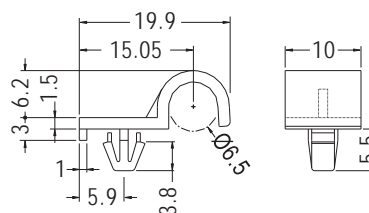
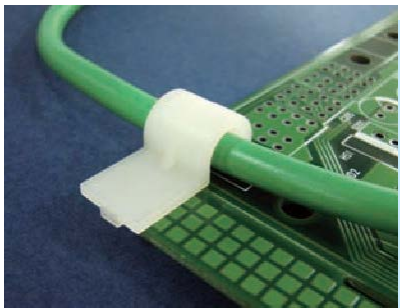
- ◆ MATERIAL: NYLON 66 (UL)
- ◆ FLAME CLASS: 94V-2/94V-0
- ◆ COLOR: NATURAL/BLACK
- ◆ UNIT: mm



PART NO	PACKAGE
WCL-3	500

## WIRE MOUNT

- ◆ MATERIAL: NYLON 66 (UL)
- ◆ FLAME CLASS: 94V-2/94V-0
- ◆ COLOR: NATURAL/BLACK
- ◆ UNIT: mm



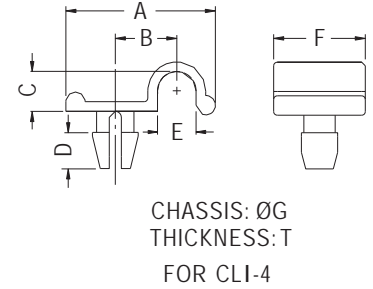
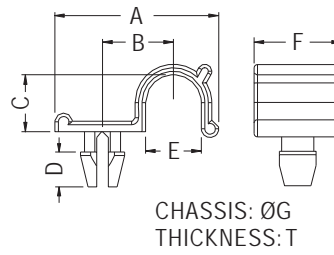
MOUNTING HOLES

PART NO	PACKAGE
CLH-6	500

# WIRE MOUNT



- ◆ MATERIAL: NYLON 66 (UL)
- ◆ FLAME CLASS: 94V-2/94V-0
- ◆ COLOR: NATURAL/BLACK
- ◆ UNIT: mm

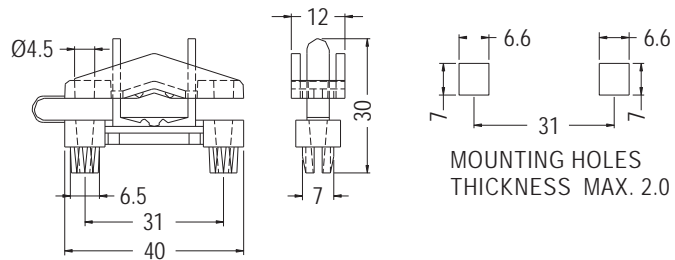


PART NO	A	B	C	D	E	F	G	T	PACKAGE
CLI-4	12.4	5.1	3.3	3.0	3.2	7.6	3.2	1.6	2000
CLI-5	14.1	6.1	4.9	3.0	4.8	7.6	3.2	1.6	
CLI-6	15.8	7.0	6.5	3.0	6.1	7.6	3.2	1.6	

# WIRE MOUNT



- ◆ MATERIAL: NYLON 66 (UL)
- ◆ FLAME CLASS: 94V-2/94V-0
- ◆ COLOR: NATURAL/BLACK
- ◆ UNIT: mm

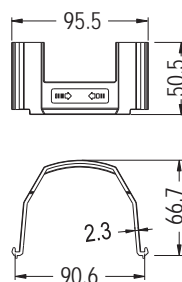


PART NO	PACKAGE
CLU-1	500

# WIRE MOUNT



- ◆ MATERIAL: HIPS (UL)
- ◆ FLAME CLASS: 94HB
- ◆ COLOR: GRAY
- ◆ UNIT: mm

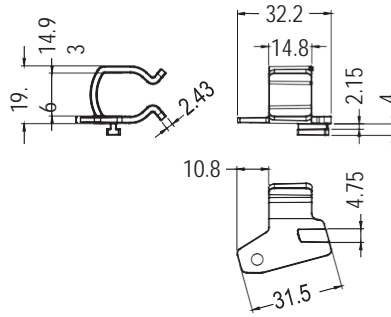


PART NO	PACKAGE
LCDCM-1	100



# WIRE HOLDER

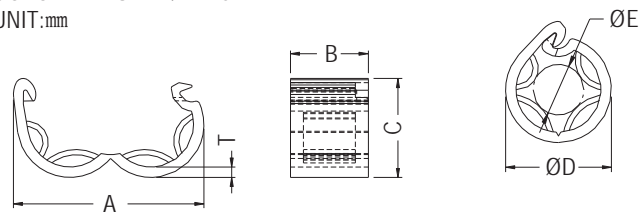
- ◆ MATERIAL: NYLON 66 (UL)
- ◆ FLAME CLASS: 94V-2/94V-0
- ◆ COLOR: NATURAL/BLACK
- ◆ UNIT: mm



PARTNO	PACKAGE
CCMJ-1	1000

# WIRE MOUNT

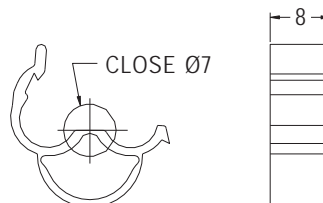
- ◆ MATERIAL: NYLON 66 (UL)
- ◆ FLAME CLASS: 94V-2/94V-0
- ◆ COLOR: NATURAL/BLACK
- ◆ UNIT: mm



PARTNO	A	B	C	D	E	T	PACKAGE
WAL-1	14.65	6.0	7.6	8.15	3.9	0.8	1000
WAL-2	18.34	5.3	11.6	10.2	5.3-5.5	1.0	

# WIRE MOUNT

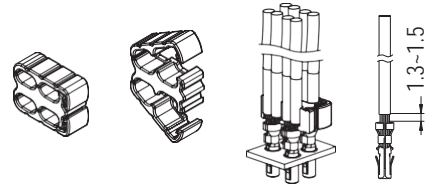
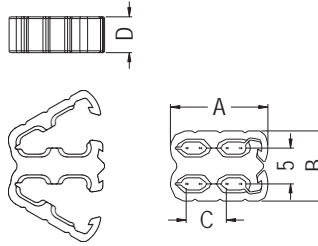
- ◆ MATERIAL: NYLON 66 (UL)
- ◆ FLAME CLASS: 94V-2/94V-0
- ◆ COLOR: NATURAL/BLACK/BLUE
- ◆ UNIT: mm



PARTNO	PACKAGE
WAK-1	1000

# WIRE MOUNT

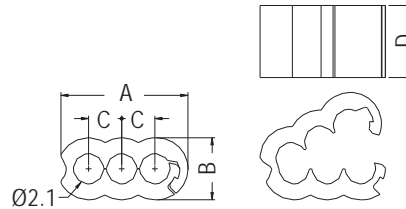
- ◆ MATERIAL: NYLON 66 (UL)
- ◆ FLAME CLASS: 94V-2/94V-0
- ◆ COLOR: NATURAL/BLACK
- ◆ UNIT: mm



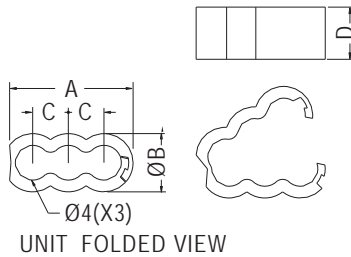
PART NO	A	B	C	D	PACKAGE
2WCA-2	13.6	9.8	5.6	5.0	1000

# WIRE MOUNT

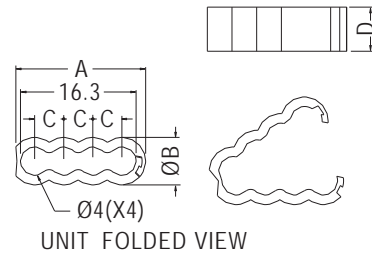
- ◆ MATERIAL: NYLON 66 (UL)
- ◆ FLAME CLASS: 94V-2/94V-0
- ◆ COLOR: NATURAL/BLACK
- ◆ UNIT: mm



PART NO	A	B	C	D	PACKAGE
3WC-2	8.8	4.3	2.3	5.0	1000



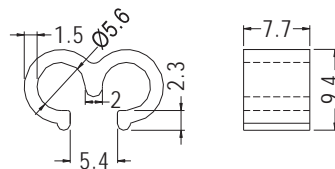
PART NO	A	B	C	D	PACKAGE
3WC-4	14.2	6.9	4.1	6.0	1000



PART NO	A	B	C	D	PACKAGE
4WC-4	18.3	6.9	4.1	6.0	1000

# WIRE MOUNT

- ◆ MATERIAL: NYLON 66 (UL)
- ◆ FLAME CLASS: 94V-2/94V-0
- ◆ COLOR: NATURAL/BLACK
- ◆ UNIT: mm



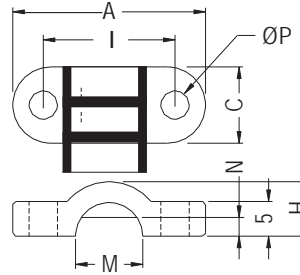
PART NO	PACKAGE
MUB-1	1000



## WIRE MOUNT



- ◆ MATERIAL:ABS (UL)/NYLON 66 (UL)
- ◆ FLAME CLASS:94V-2/94V-0/94HB
- ◆ COLOR:NATURAL/WHITE/BLACK
- ◆ UNIT:mm

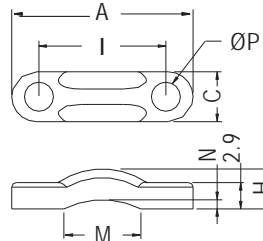


PART NO	A	C	H	I	M	N	P	PACKAGE
CLT-1	27.8	11.0	7.8	19.0	9.7	2.7	4.4	500

## WIRE MOUNT



- ◆ MATERIAL:NYLON 66 (UL)
- ◆ FLAME CLASS:94V-2/94V-0
- ◆ COLOR:NATURAL/WHITE/BLACK
- ◆ UNIT:mm

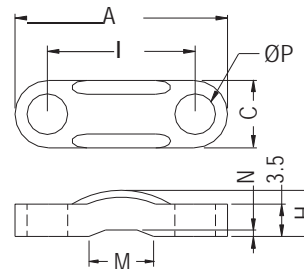


PART NO	A	C	H	I	M	N	P	PACKAGE
CLT-2	20.0	5.5	4.4	14.0	8.5	1.0	3.2	500

## WIRE MOUNT



- ◆ MATERIAL:NYLON 66 (UL)
- ◆ FLAME CLASS:94HB
- ◆ COLOR:BLACK
- ◆ UNIT:mm

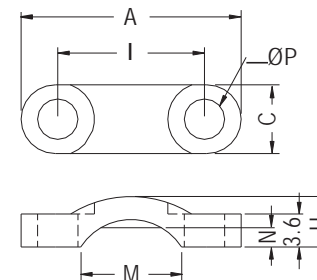


PART NO	A	C	H	I	M	N	P	PACKAGE
CLT-4	23.0	7.3	5.0	16.0	7.0	0.7	4.4	1000

## WIRE MOUNT



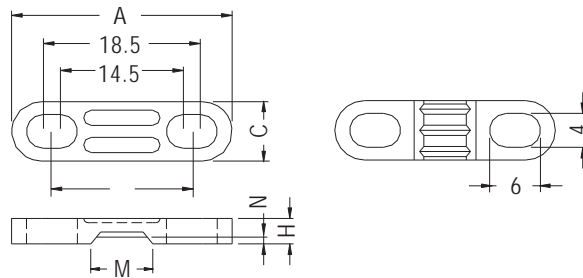
- ◆ MATERIAL:NYLON 66 (UL)
- ◆ FLAME CLASS:94HB
- ◆ COLOR:BLACK
- ◆ UNIT:mm



PART NO	A	C	H	I	M	N	P	PACKAGE
CLT-5	24.0	7.5	5.5	16.0	11.0	2.1	4.4	1000

## WIRE MOUNT

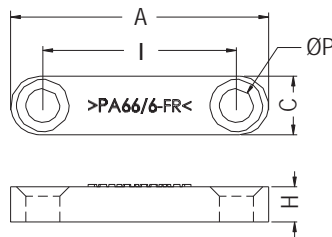
- ◆ MATERIAL: NYLON 66 (UL)
- ◆ FLAME CLASS: 94HB
- ◆ COLOR: BLACK
- ◆ UNIT: mm



PART NO	A	C	H	I	M	N	PACKAGE
CLT-6	26.0	7.0	3.0	16.5	7.3	0.8	1000

## WIRE MOUNT

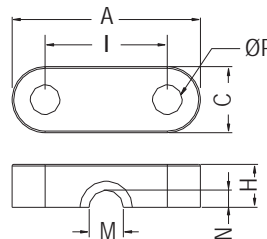
- ◆ MATERIAL: NYLON 66 (UL)
- ◆ FLAME CLASS: 94V-2/94V-0
- ◆ COLOR: NATURAL/BLACK
- ◆ UNIT: mm



PART NO	A	C	H	I	P	PACKAGE
CLT-10	22.0	5.0	3.0	16.5	2.9	1000

## WIRE MOUNT

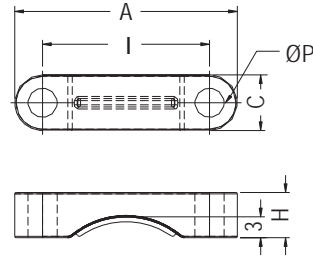
- ◆ MATERIAL: ABS (UL)
- ◆ FLAME CLASS: 94HB
- ◆ COLOR: BLACK
- ◆ UNIT: mm



PART NO	A	C	H	I	M	N	P	PACKAGE
CLT-8	34.2	12.0	7.8	22.2	6.2	2.9	5.4	1000

# WIRE MOUNT

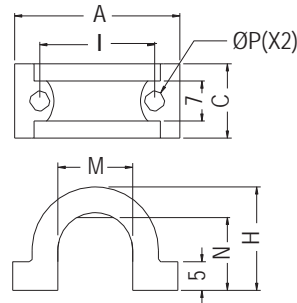
- ◆ MATERIAL: NYLON 66 (UL)
- ◆ FLAME CLASS: 94V-2/94V-0
- ◆ COLOR: NATURAL/BLACK
- ◆ UNIT: mm



PARTNO	A	C	H	I	P	PACKAGE
CLT-14	32.0	8.0	6.5	24.0	4.2	1000

# WIRE MOUNT

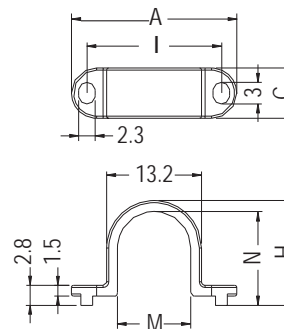
- ◆ MATERIAL: NYLON 66 (UL)
- ◆ FLAME CLASS: 94V-2/94V-0
- ◆ COLOR: NATURAL/BLACK/GRAY
- ◆ UNIT: mm



PARTNO	A	C	H	I	M	N	P	PACKAGE
CLT-7	28.9	13.0	18.2	20.1	13.1	12.7	3.5	500

# WIRE MOUNT

- ◆ MATERIAL: NYLON 66 (UL)
- ◆ FLAME CLASS: 94V-2/94V-0
- ◆ COLOR: NATURAL/BLACK
- ◆ UNIT: mm

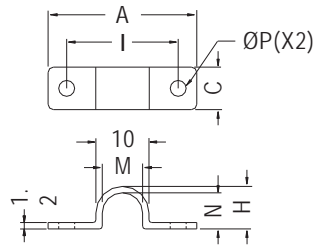


PARTNO	A	C	H	I	M	N	PACKAGE
CLT-9	23.0	7.0	14.6	18.7	10.2	13.1	1000



# WIRE MOUNT

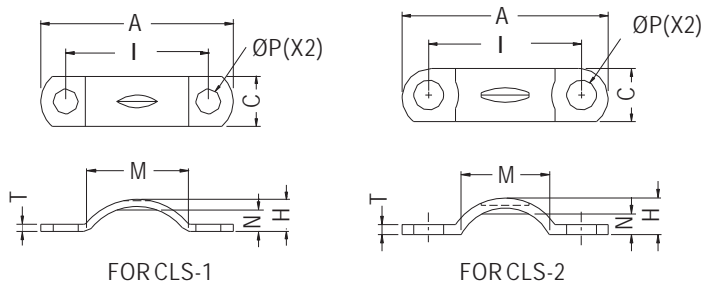
- ◆ MATERIAL: NYLON 66 (UL)
- ◆ FLAME CLASS: 94V-2/94V-0
- ◆ COLOR: NATURAL/BLACK
- ◆ UNIT: mm



PARTNO	A	C	H	I	M	N	P	PACKAGE
CLM-7.5	28.0	8.0	8.0	21.0	7.6	6.8	3.0	1000

# WIRE MOUNT

- ◆ MATERIAL: STEEL
- ◆ UNIT: mm

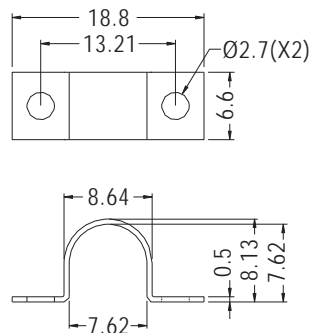


PARTNO	A	C	H	I	M	N	P	T	PACKAGE
CLS-1	27.0	7.0	4.5	20.0	13.5	3.0	3.5	1.0	1000
★ CLS-2	31.0	8.0	5.5	23.0	13.3	3.1	4.5	1.5	1000

# WIRE MOUNT



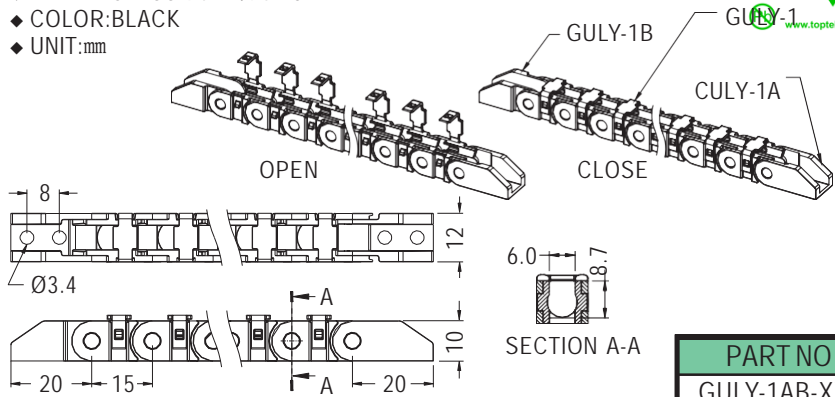
- ◆ MATERIAL: ZINC PLATED STEEL
- ◆ UNIT: mm



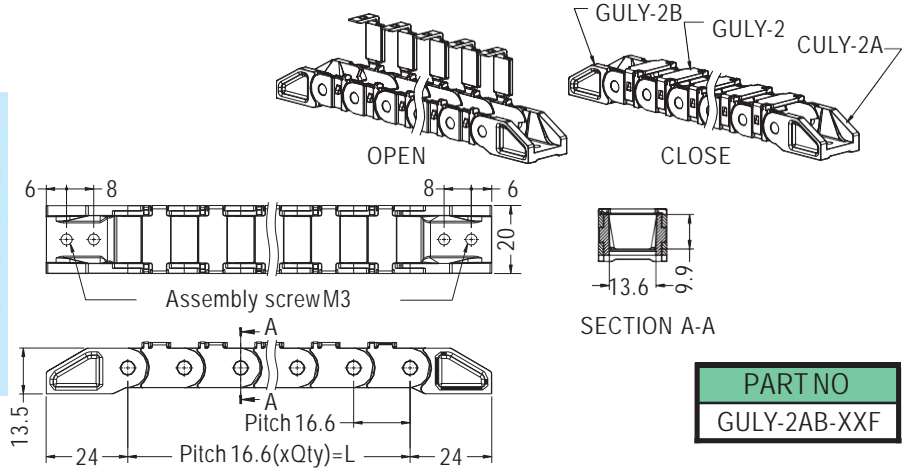
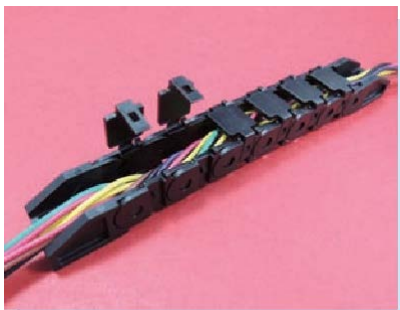
PARTNO	PACKAGE
EM-514H	1000

# TRACK WIRE HOLDER SET

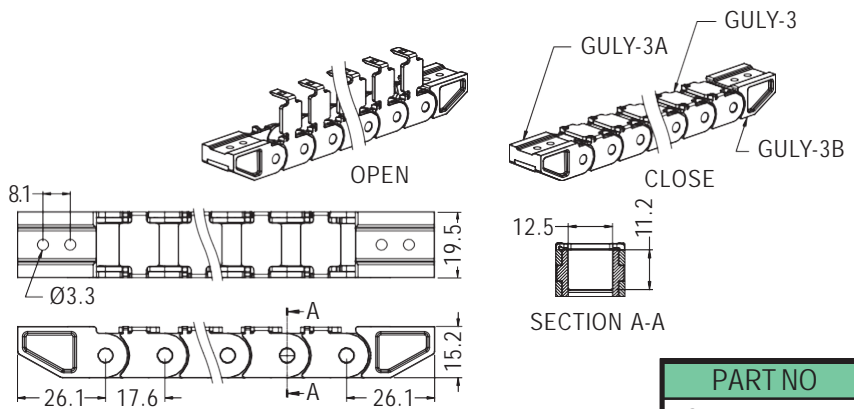
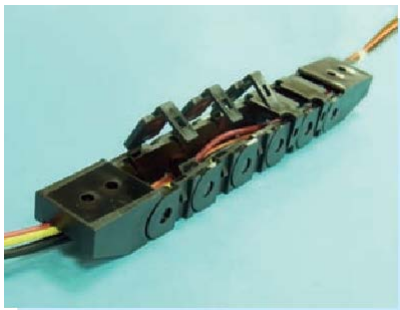
- ◆ MATERIAL: NYLON 66 (UL)
- ◆ FLAME CLASS: 94V-2/94V-0
- ◆ COLOR: BLACK
- ◆ UNIT: mm



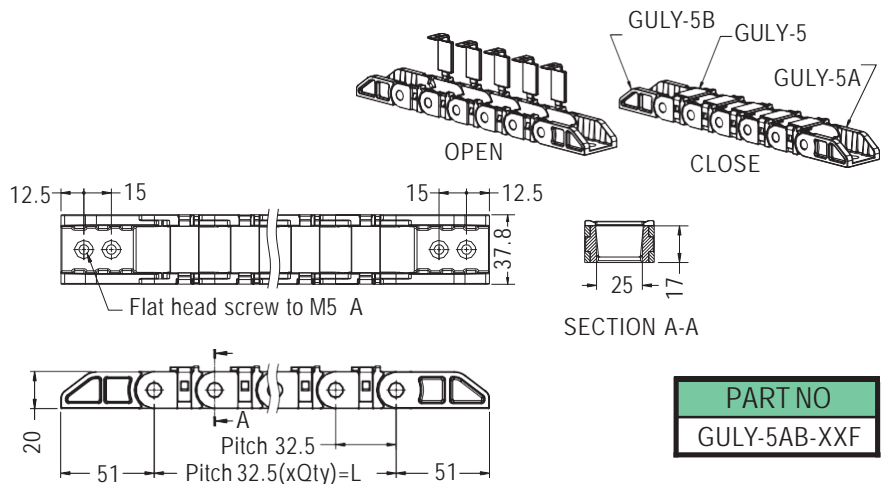
**PART NO**  
**GULY-1AB-XXF**



**PART NO**  
**GULY-2AB-XXF**



**PART NO**  
**GULY-3AB-XXF**

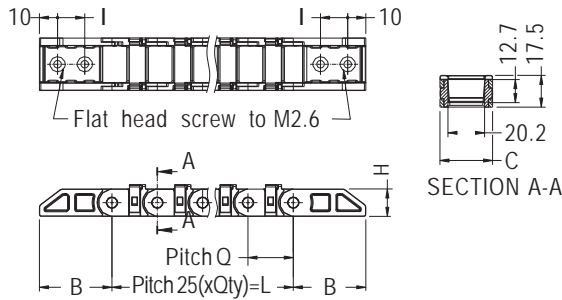
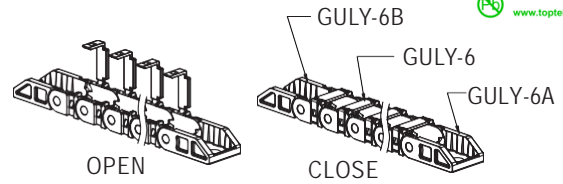


**PART NO**  
**GULY-5AB-XXF**

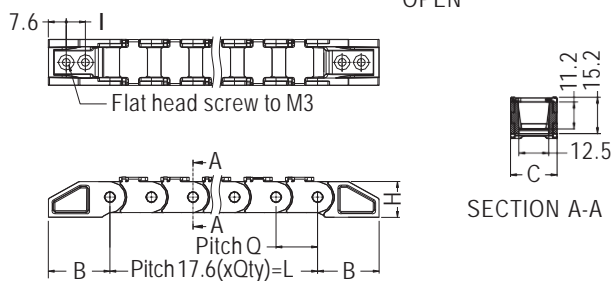
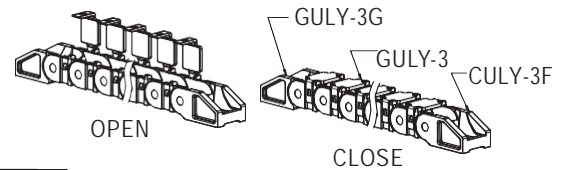
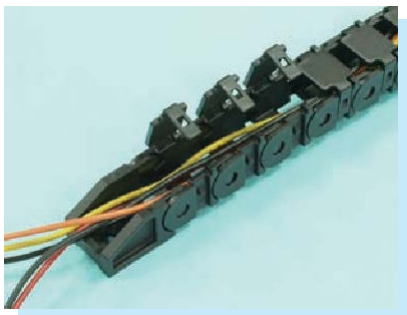


# TRACK WIRE HOLDER SET

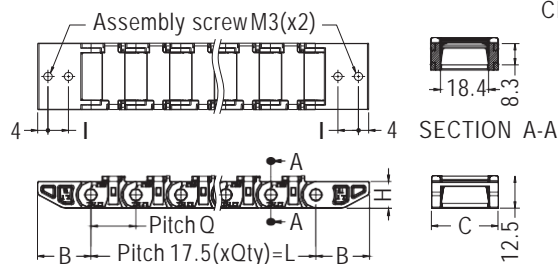
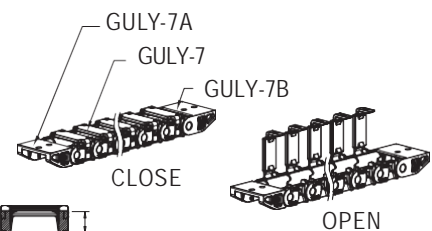
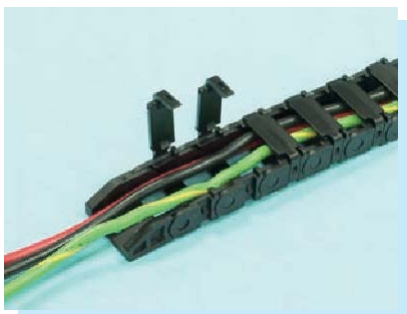
- ◆ MATERIAL: NYLON 66 (UL)
- ◆ FLAME CLASS: 94V-2/94V-0
- ◆ COLOR: BLACK
- ◆ UNIT: mm



PART NO	B	C	H	I	Q
GULY-6AB-XXF	40.0	29.0	15.1	15.0	25.0

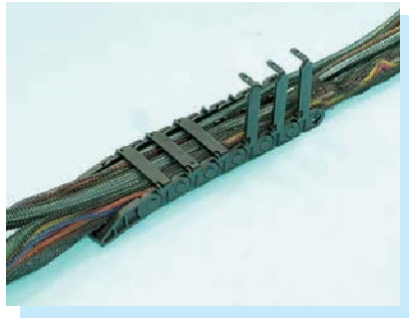


PART NO	B	C	H	I	Q
GULY-3FG-XXF	26.1	19.5	15.2	8.1	17.6

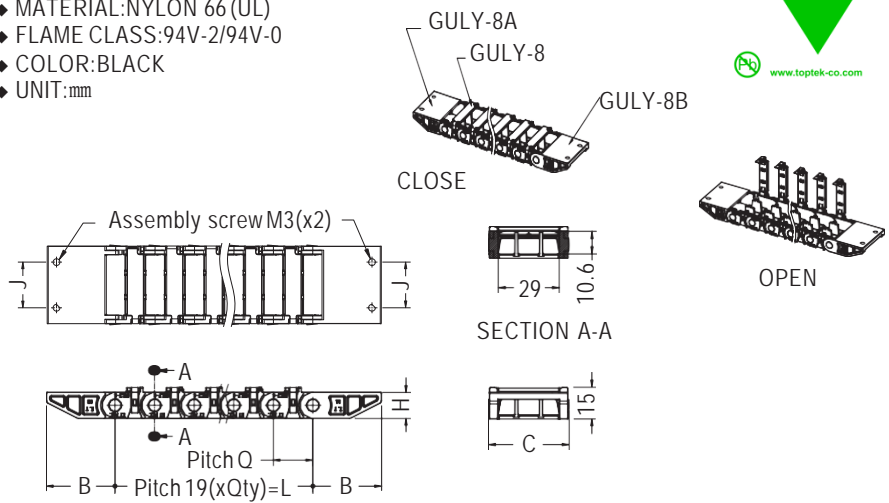


PART NO	B	C	H	I	Q
GULY-7AB-XXF	20.85	26.0	10.3	8.0	17.5

# TRACK WIRE HOLDER SET



- ◆ MATERIAL: NYLON 66 (UL)
- ◆ FLAME CLASS: 94V-2/94V-0
- ◆ COLOR: BLACK
- ◆ UNIT: mm

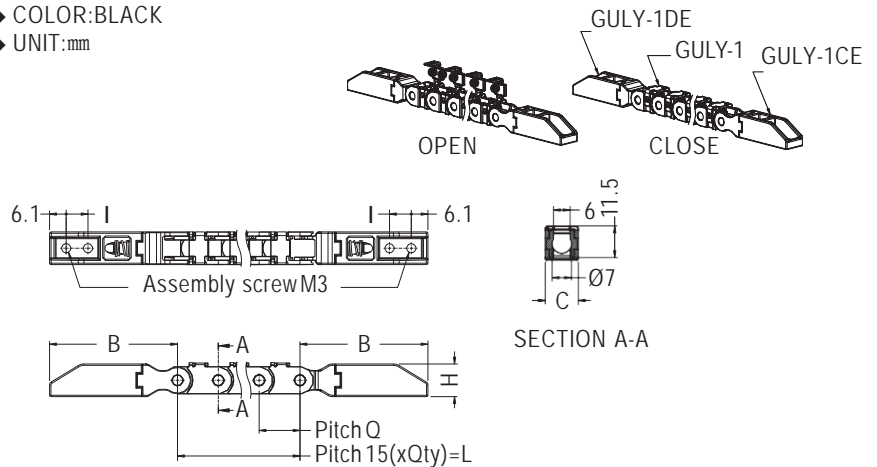


PART NO	B	C	H	J	Q
GULY-8AB-XXF	33.0	38.5	12.6	22.0	19.0

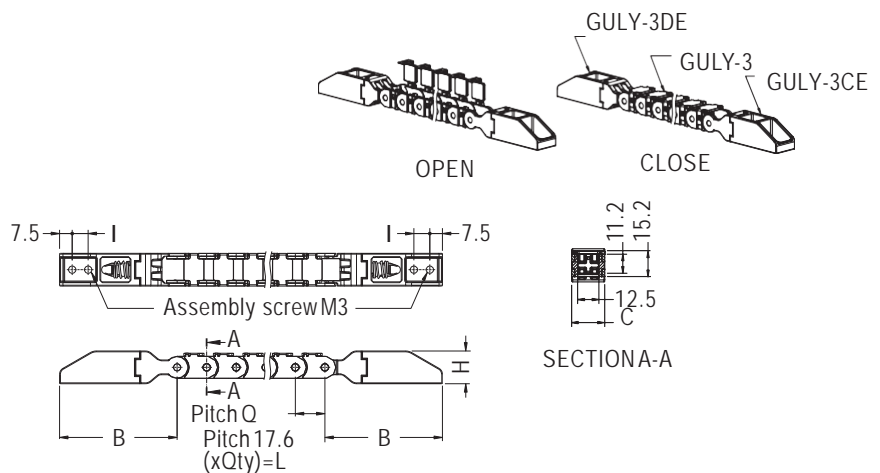
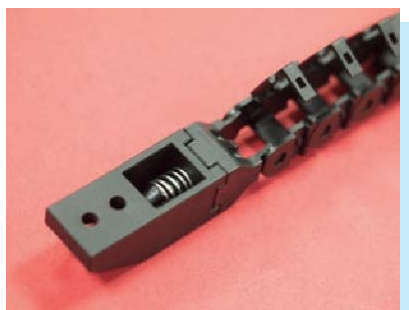
- MATERIAL: NYLON 66 (UL)
- ◆ FLAME CLASS: 94V-2/94V-0

# ROTARY RACK WIRE HOLDER SET

- ◆ MATERIAL: NYLON 66 (UL)
- ◆ COLOR: BLACK
- ◆ UNIT: mm



PART NO	B	C	H	I	Q
GULY-1CDE-XXF	47.0	12.0	12.0	8.0	15.0



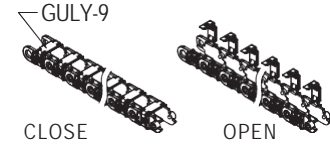
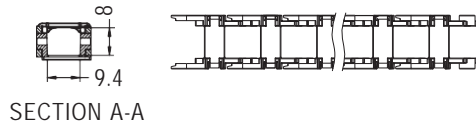
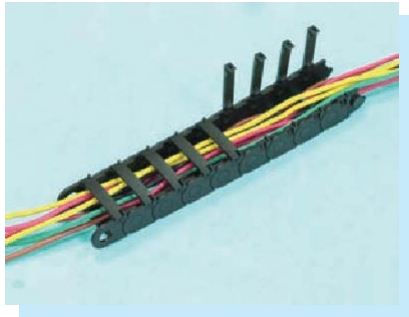
PART NO	B	C	H	I	Q
GULY-3CDE-XXF	70.0	19.5	19.5	9.5	17.6



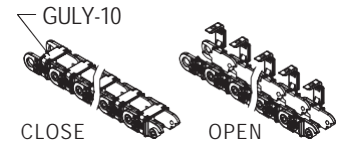
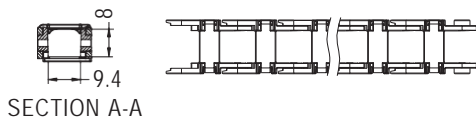
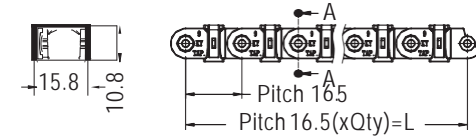
# TRACK WIRE HOLDER SET

**NEW**

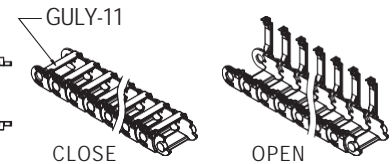
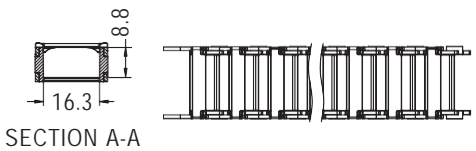
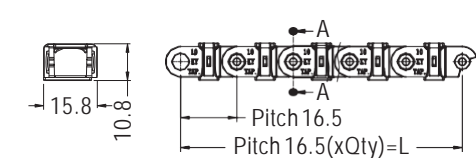
- ◆ MATERIAL: NYLON 66 (UL)
- ◆ FLAME CLASS: 94V-2/94V-0
- ◆ COLOR: BLACK
- ◆ UNIT: mm



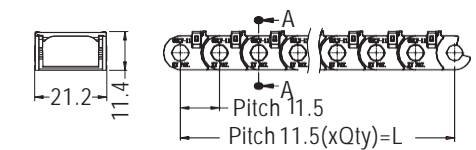
**PART NO**  
**GULY-9-XXF**



**PART NO**  
**GULY-10-XXF**

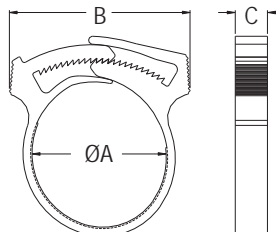


**PART NO**  
**GULY-11-XXF**



# WIRE LOCK

- ◆ MATERIAL: POM (UL)/NYLON 66(UL)
- ◆ FLAME CLASS: 94HB/94V-2/94V-0
- ◆ COLOR: NATURAL/WHITE/BLACK
- ◆ UNIT: mm



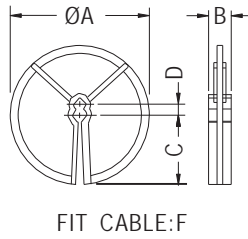
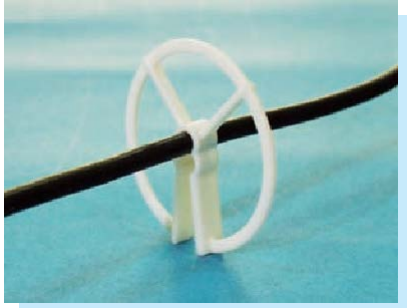
PART NO	A	B	C	PACKAGE
SMAP-7	11.1	28.0	5.9	250
SMAP-10	16.0	25.9	5.9	
SMAP-11	10.0	23.4	5.5	
SMAP-16	18.5	29.8	5.9	
SMAP-18	19.4	33.4	6.0	
SMAP-19	21.8	35.0	5.9	
SMAP-24	25.0	37.8	7.4	
★ SMAP-24S	22.2~25.4	38.7	5.6	
SMAP-28	28.3	40.6	7.3	
SMAP-32	30.9	43.8	7.3	
SMAP-34	38.5	48.6	7.4	



# F.B.T CLIP

- ◆ MATERIAL: NYLON 66 (UL)
- ◆ FLAME CLASS: 94V-2/94V-0
- ◆ COLOR: NATURAL
- ◆ UNIT: mm

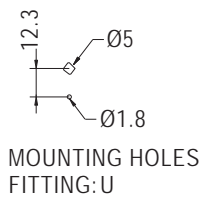
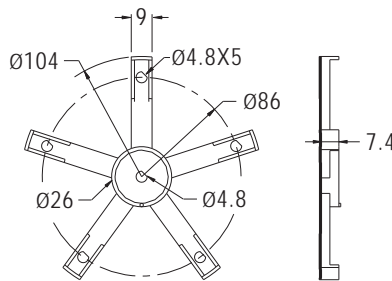
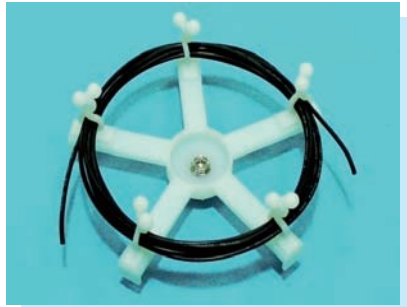
**UL**  
E217732  
UL1565



PARTNO	A	B	C	D	F	PACKAGE
FBT-1	49.5	7.8	22.0	5.0	4.5~5.3	100
FBT-2	49.2	7.8	22.0	5.0	3.5~4.5	
FBT-3	50.2	7.4	23.0	5.0	2.5~3.5	
FBT-4	49.5	8.0	22.5	4.6	4.0~4.5 or 5.0~5.5	
FBT-5	49.2	8.0	22.0	4.7	3.7~4.2 or 4.5~5.2	

# FIBER CABLE HOUSING

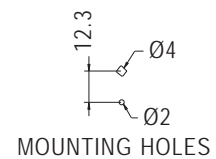
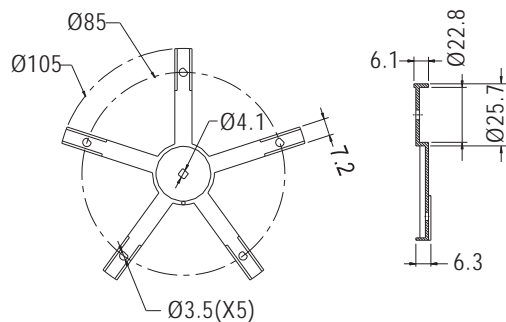
- ◆ MATERIAL: NYLON 66 (UL)
- ◆ FLAME CLASS: 94V-2
- ◆ COLOR: NATURAL
- ◆ UNIT: mm



PARTNO	U	PACKAGE
FSB-1	Screw	50
FSB-1A	Adhesive	

# FIBER CABLE HOUSING

- ◆ MATERIAL: NYLON 66 (UL)
- ◆ FLAME CLASS: 94V-2
- ◆ COLOR: NATURAL
- ◆ UNIT: mm



PARTNO	PACKAGE
FSB-2	50

