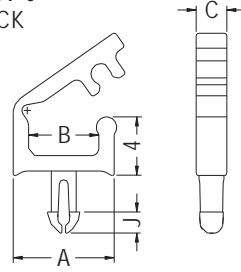


WIRE MOUNT



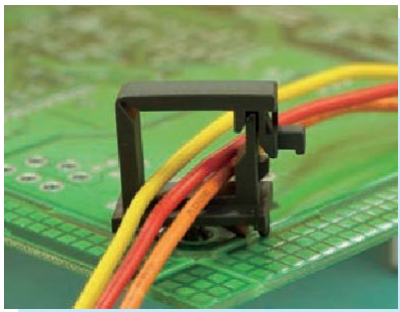
- ◆ MATERIAL: NYLON 66 (UL)
- ◆ FLAME CLASS: 94V-2/94V-0
- ◆ COLOR: NATURAL/BLACK
- ◆ UNIT: mm



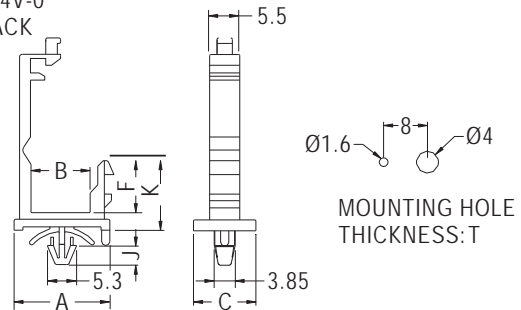
MOUNTING HOLE: $\varnothing G$
THICKNESS: T

PART NO	A	B	C	G	J	T	PACKAGE
CHLB-1	6.9	4.8	2.1	1.7	1.5	2.4	1000

WIRE SADDLE



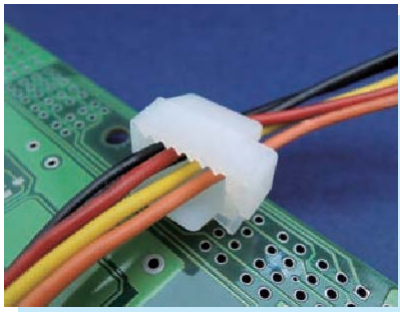
- ◆ MATERIAL: NYLON 66 (UL)
- ◆ FLAME CLASS: 94V-2/94V-0
- ◆ COLOR: NATURAL/BLACK
- ◆ UNIT: mm



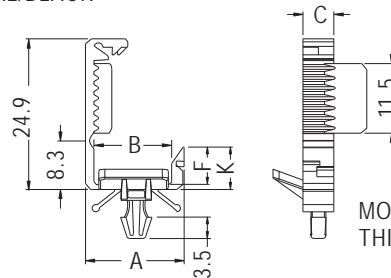
MOUNTING HOLE
THICKNESS: T

PART NO	A	B	C	F	J	K	T	PACKAGE
CHWE-1	17.5	10.8	11.4	9.5	3.5	12.7	0.8-1.0	1000

WIRE MOUNT



- ◆ MATERIAL: NYLON 66 (UL)
- ◆ FLAME CLASS: 94V-2/94V-0
- ◆ COLOR: NATURAL/BLACK
- ◆ UNIT: mm



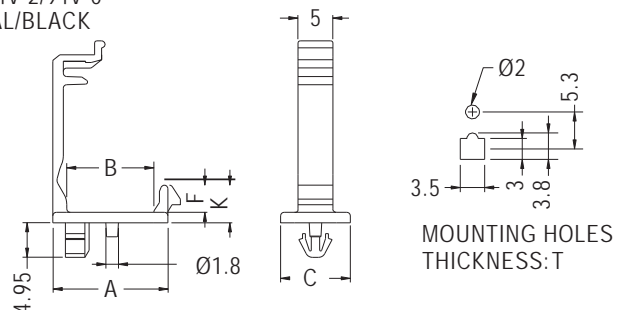
MOUNTING HOLE: $\varnothing G$
THICKNESS: T

PART NO	A	B	C	F	G	K	T	PACKAGE
CHCA-1	16.1	12.85	5.1	6.2	3.5	7.0	1.0-2.5	500

WIRE MOUNT



- ◆ MATERIAL: NYLON 66 (UL)
- ◆ FLAME CLASS: 94V-2/94V-0
- ◆ COLOR: NATURAL/BLACK
- ◆ UNIT: mm



MOUNTING HOLES
THICKNESS: T

PART NO	A	B	C	F	K	T	PACKAGE
CHMK-1	16.5	12.5	10.0	3.9	5.4	2.0	1000