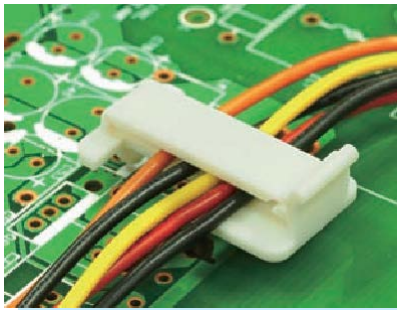
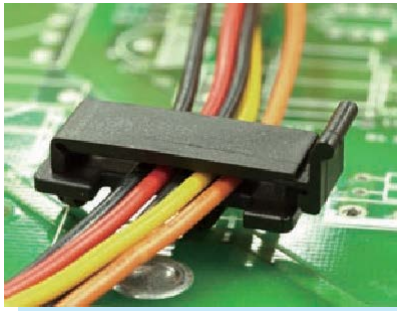
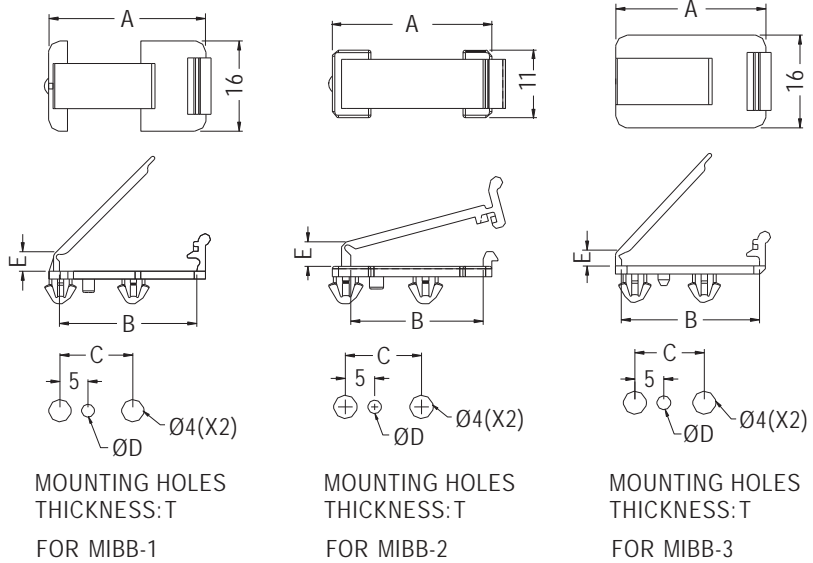


WIRE MOUNT



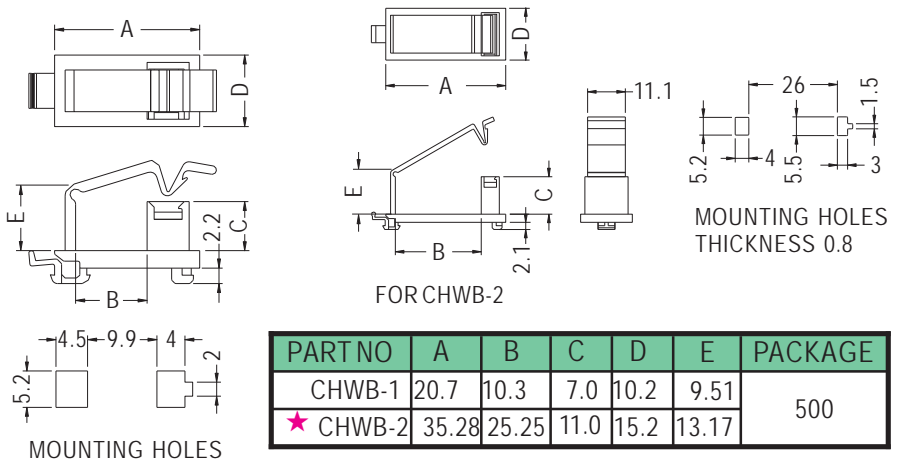
- ◆ MATERIAL: NYLON 66 (UL)
- ◆ FLAME CLASS: 94V-2/94V-0
- ◆ COLOR: NATURAL/BLACK/WHITE
- ◆ UNIT: mm



PART NO	A	B	C	D	E	T	PACKAGE
MIBB-1	27.9	24.5	13.0	2.3	3.5	0.5-0.8	
MIBB-2	26.0	21.6	13.0	2.3	4.0	0.5-0.8	1000
MIBB-3	25.9	23.85	12.0	2.4	3.5	1.0	

WIRE HOLDER

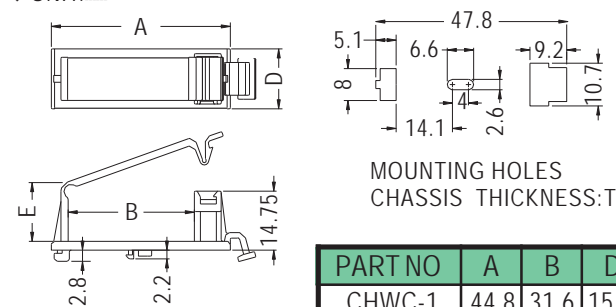
- ◆ MATERIAL: NYLON 66 (UL)
- ◆ FLAME CLASS: 94V-2/94V-0
- ◆ COLOR: NATURAL/BLACK
- ◆ UNIT: mm



PART NO	A	B	C	D	E	PACKAGE
CHWB-1	20.7	10.3	7.0	10.2	9.51	500
★ CHWB-2	35.28	25.25	11.0	15.2	13.17	

WIRE HOLDER

- ◆ MATERIAL: NYLON 66 (UL)
- ◆ FLAME CLASS: 94V-2/94V-0
- ◆ COLOR: NATURAL/BLACK
- ◆ UNIT: mm



PART NO	A	B	D	E	T	PACKAGE
CHWC-1	44.8	31.6	15.0	15.0	0.8	500

