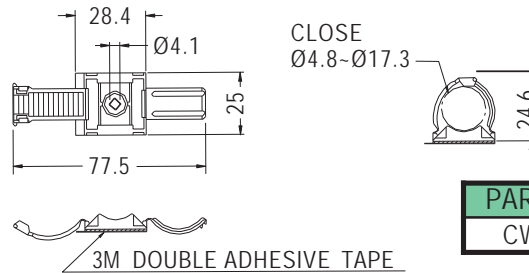


## WIRE MOUNT



- ◆ MATERIAL: NYLON 66 (UL)
- ◆ FLAME CLASS: 94V-2/94V-0
- ◆ COLOR: NATURAL/BLACK/GRAY
- ◆ UNIT: mm

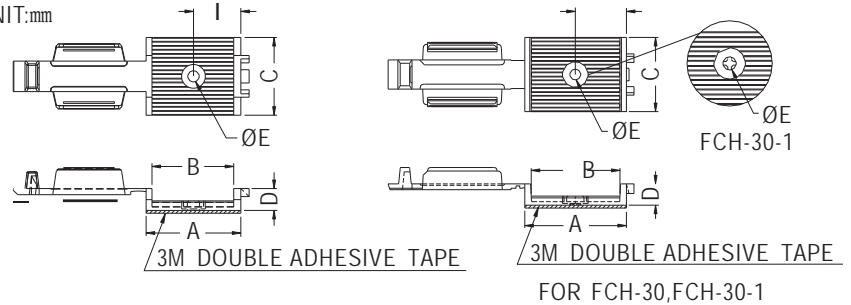


PART NO	PACKAGE
CWK-1	200

## FLAT CABLE CLAMP



- ◆ MATERIAL: NYLON 66 (UL)
- ◆ FLAME CLASS: 94V-2/94V-0
- ◆ COLOR: NATURAL/BLACK/GRAY
- ◆ UNIT: mm

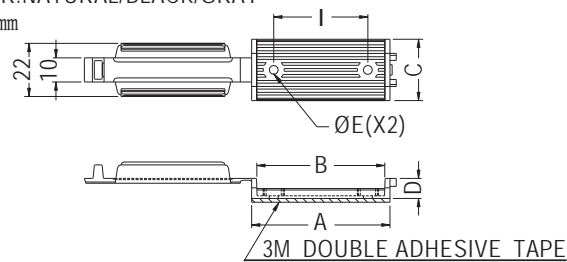


PART NO	A	B	C	D	E	I	PACKAGE
FCH29	30.7	26.5	25.2	7.1	3.7	15.4	
FCH-30	35.0	30.5	25.4	8.2	3.7	17.5	100
FCH-30-1	35.0	30.5	25.4	7.3	3.7	17.5	

## FLAT CABLE CLAMP



- ◆ MATERIAL: NYLON 66 (UL)
- ◆ FLAME CLASS: 94V-2/94V-0
- ◆ COLOR: NATURAL/BLACK/GRAY
- ◆ UNIT: mm

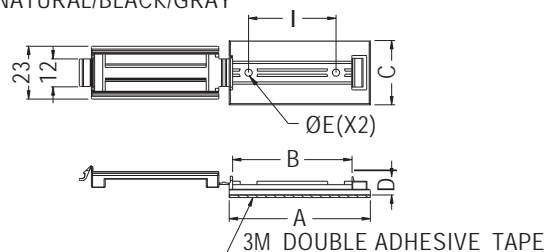


PART NO	A	B	C	D	E	I	PACKAGE
FCH-50	57.3	53.0	25.4	8.3	3.7	39.0	
FCH-80	82.3	78.93	25.4	12.3	3.8	38.7	50

## FLAT CABLE CLAMP



- ◆ MATERIAL: NYLON 66 (UL)
- ◆ FLAME CLASS: 94V-2/94V-0
- ◆ COLOR: NATURAL/BLACK/GRAY
- ◆ UNIT: mm



PART NO	A	B	C	D	E	I	PACKAGE
FCHA-1	61.5	52.0	28.0	8.0	3.2	38.1	50

