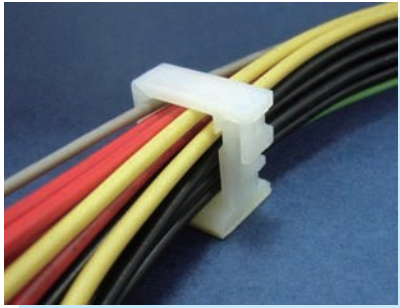
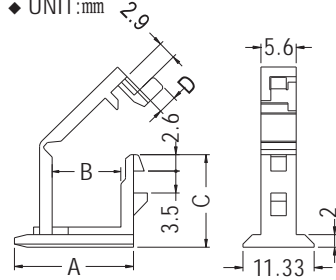


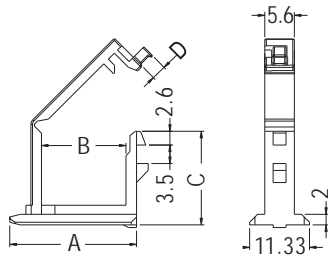
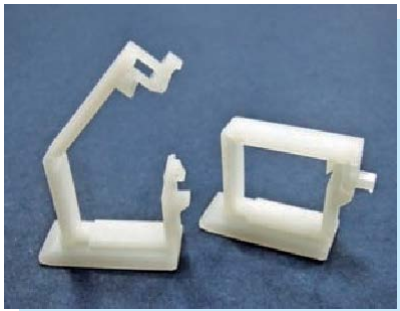
# WIRE MOUNT



- ◆ MATERIAL: NYLON 66 (UL)
- ◆ FLAME CLASS: 94V-2/94V-0
- ◆ COLOR: NATURAL/BLACK
- ◆ UNIT: mm

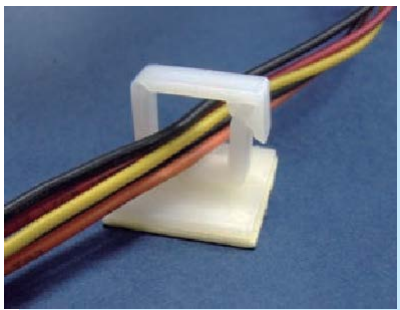


PART NO	A	B	C	D	PACKAGE
WLF-1	19.05	11.0	14.72		500
WLF-2	18.95	11.0	14.72	3.0	

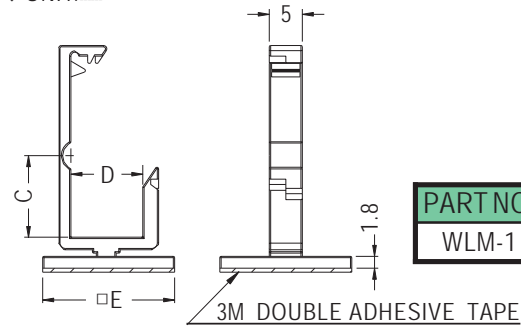


PART NO	A	B	C	D	PACKAGE
WLF-3	24.05	16.0	17.72	2.8	500
WLF-4	19.05	11.05	14.72	2.8	

# WIRE MOUNT

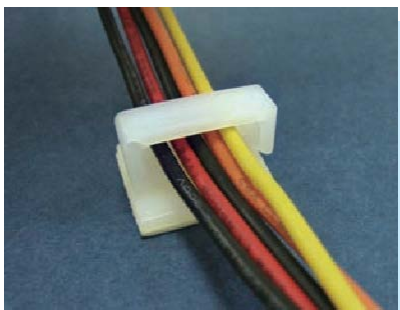


- ◆ MATERIAL: NYLON 66 (UL)
- ◆ FLAME CLASS: 94V-2/94V-0
- ◆ COLOR: NATURAL/BLACK
- ◆ UNIT: mm

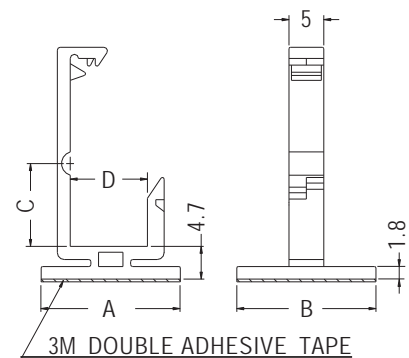
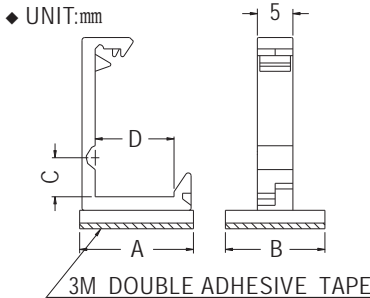


PART NO	C	D	E	PACKAGE
WLM-1	12.35	10.9	20.0	500

# WIRE MOUNT



- ◆ MATERIAL: NYLON 66 (UL)
- ◆ FLAME CLASS: 94V-2/94V-0
- ◆ COLOR: NATURAL/BLACK
- ◆ UNIT: mm



PART NO	A	B	C	D	PACKAGE
WLN-1S	16.0	14.0	5.5	11.1	500
WLN-6	13.0	12.0	6.0	8.1	

PART NO	A	B	C	D	PACKAGE
WLN-1	20.0	20.0	6.7	11.1	500
WLN-2	20.0	20.0	11.9	11.1	
WLN-3	20.0	20.0	15.7	15.7	
WLN-5	15.0	14.0	8.7	10.75	
WLN-7	16.0	12.0	8.7	10.75	

