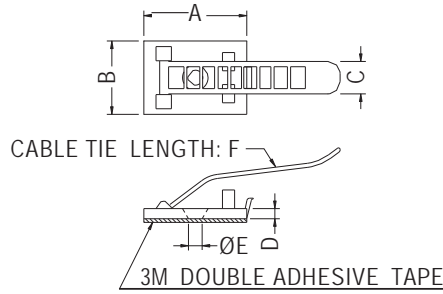


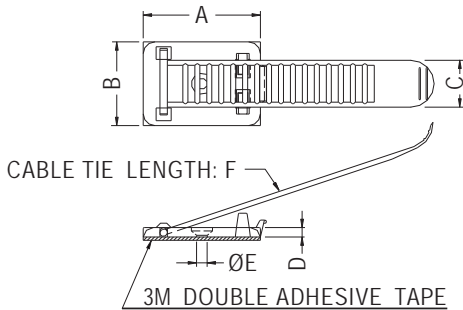
WIRE MOUNT



- ◆ MATERIAL: NYLON 66 (UL)
- ◆ FLAME CLASS: 94V-2/94V-0
- ◆ COLOR: NATURAL/BLACK
- ◆ UNIT: mm



PARTNO	A	B	C	D	E	F	PACKAGE
CL-1	25.4	18.1	8.0	2.5	3.9	64.2	200
CL-2	25.4	18.1	8.0	2.5	3.9	85.0	

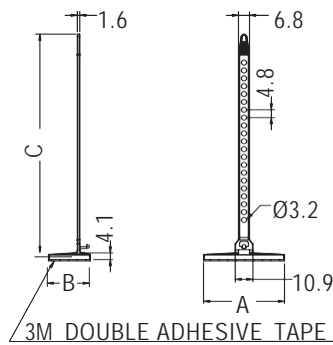


PARTNO	A	B	C	D	E	F	PACKAGE
CL-3	35.0	25.0	14.0	2.8	3.2	88.3	200
CL-4	35.0	25.0	14.0	2.8	3.2	127.0	
CL-5	30.2	21.0	12.0	2.5	3.5	91.0	100
CL-6	30.0	21.0	12.0	2.5	3.7	117.0	
CL-7	20.0	15.0	5.0	2.5	3.4	55.0	200

WIRE MOUNT



- ◆ MATERIAL: NYLON 66 (UL)
- ◆ FLAME CLASS: 94V-2/94V-0
- ◆ COLOR: NATURAL/BLACK
- ◆ UNIT: mm

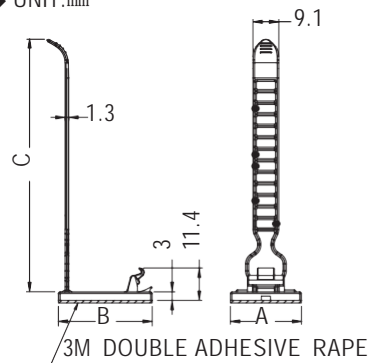


PARTNO	A	B	C	PACKAGE
CLB-1	49.5	25.6	133.5	200

WIRE MOUNT



- ◆ MATERIAL: NYLON 66 (UL)
- ◆ FLAME CLASS: 94V-2/94V-0
- ◆ COLOR: NATURAL/BLACK
- ◆ UNIT: mm



PARTNO	A	B	C	PACKAGE
CLE-1	25.0	33.0	91.2	200

