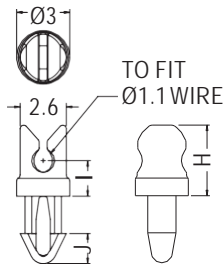


WIRE HOLDER



- ◆ MATERIAL: NYLON 66 (UL)
- ◆ FLAME CLASS: 94V-2/94V-0
- ◆ COLOR: NATURAL/BLACK
- ◆ UNIT: mm



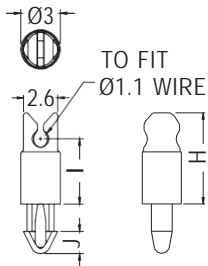
HOLE IN P.C.B: ØG
THICKNESS: T

PART NO	G	H	I	J	T	PACKAGE
CHBB-2	2.0	4.0	2.0	1.7	1.6~2.0	2000
CHBB-2-1					1.0~1.2	
CHBB-2-0.8					0.8	

WIRE HOLDER



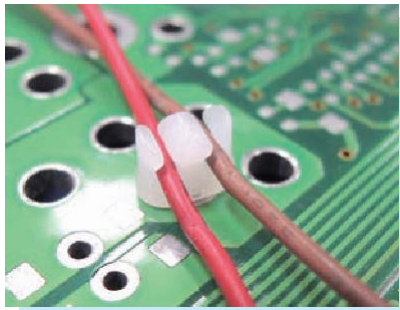
- ◆ MATERIAL: NYLON 66 (UL)
- ◆ FLAME CLASS: 94V-2/94V-0
- ◆ COLOR: NATURAL/BLACK
- ◆ UNIT: mm



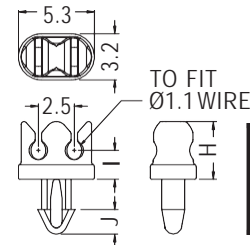
HOLE IN P.C.B: ØG
THICKNESS: T

PART NO	G	H	I	J	T	PACKAGE
CHBB-5	2.0	7.0	5.0	1.7	1.6~2.0	2000
CHBB-5-1					1.0~1.2	
CHBB-5-0.8					0.8	

WIRE MOUNT



- ◆ MATERIAL: NYLON 66 (UL)
- ◆ FLAME CLASS: 94V-2/94V-0
- ◆ COLOR: NATURAL/BLACK
- ◆ UNIT: mm



HOLE IN P.C.B: ØG
THICKNESS: T

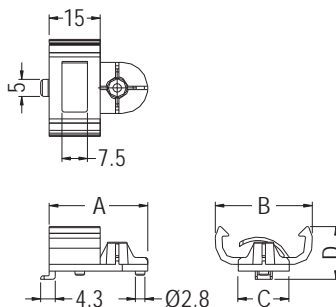
PART NO	G	H	I	J	T	PACKAGE
CHBB2-2	2.0	4.0	2.0	1.7	1.6~2.0	2000
CHBB2-2-0.8					0.8	

T8 MOUNT

NEW



- ◆ MATERIAL: NYLON 66 (UL)
- ◆ FLAME CLASS: 94V-2/94V-0
- ◆ COLOR: NATURAL/WHITE/BLACK
- ◆ UNIT: mm



PART NO	A	B	C	D	PACKAGE
EM-550	31.5	18.3	8.0	14.1	500
EM-551	31.5	28.5	15.0	15.5	
EM-552	31.5	42.85	15.0	15.5	250

