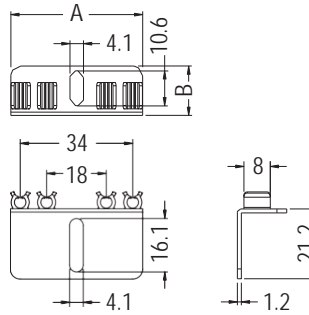
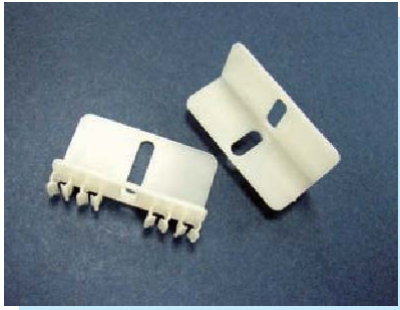


WIRE MOUNT

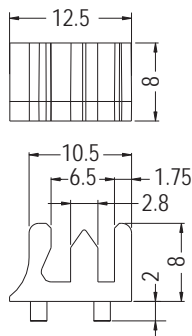
- ◆ MATERIAL: NYLON 66 (UL)
- ◆ FLAME CLASS: 94V-2/94V-0
- ◆ COLOR: NATURAL/BLACK
- ◆ UNIT: mm



PART NO	A	B	PACKAGE
CMG-2	40.0	15.0	500

WIRE MOUNT

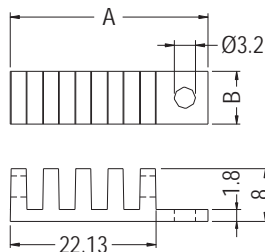
- ◆ MATERIAL: PC+ABS
- ◆ COLOR: GRAY
- ◆ UNIT: mm



PART NO	PACKAGE
CFMG-1	1000

WIRE MOUNT

- ◆ MATERIAL: NYLON 66 (UL)
- ◆ FLAME CLASS: 94V-2/94V-0
- ◆ COLOR: NATURAL/BLACK
- ◆ UNIT: mm



PART NO	A	B	PACKAGE
AIM25071	30.0	8.0	1000