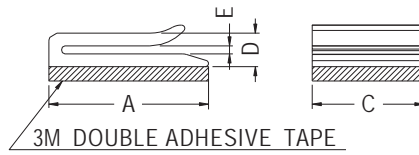


WIRE MOUNT

- ◆ MATERIAL: NYLON 66 (UL)
- ◆ FLAME CLASS: 94V-2/94V-0
- ◆ COLOR: NATURAL/BLACK
- ◆ UNIT: mm

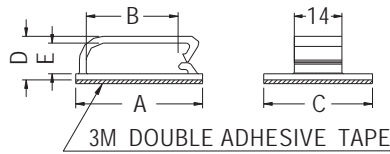
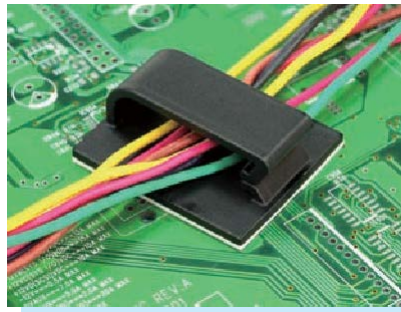


PART NO	A	C	D	E	PACKAGE
MWS-33	10.0	7.0	2.1	0.5	1000

WIRE MOUNT



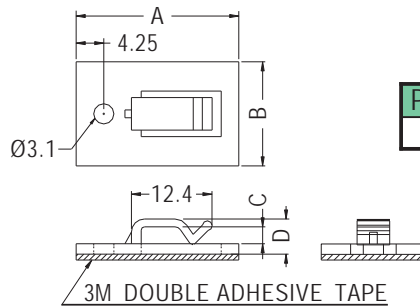
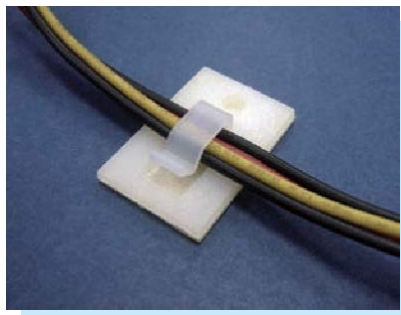
- ◆ MATERIAL: NYLON 66 (UL)
- ◆ FLAME CLASS: 94V-2/94V-0
- ◆ COLOR: NATURAL/BLACK
- ◆ UNIT: mm



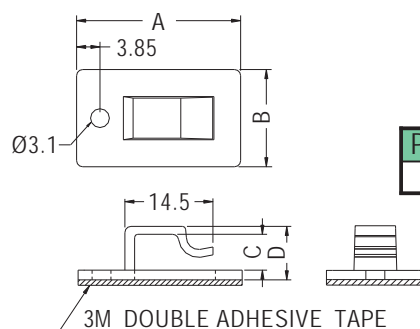
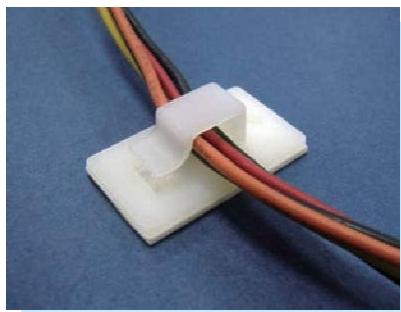
PART NO	A	B	C	D	E	PACKAGE
MWS-49	37.3	27.0	32.0	12.8	9.0	1000

WIRE MOUNT

- ◆ MATERIAL: NYLON 66 (UL)
- ◆ FLAME CLASS: 94V-2/94V-0
- ◆ COLOR: NATURAL/BLACK
- ◆ UNIT: mm



PART NO	A	B	C	D	PACKAGE
WCS-1	25.0	16.0	2.6	5.4	500



PART NO	A	B	C	D	PACKAGE
WCS-2	27.0	16.0	5.9	8.8	500

