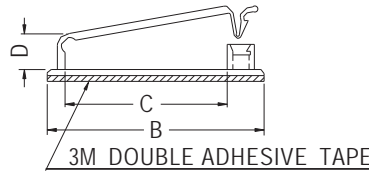
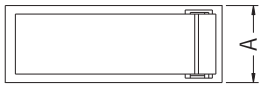


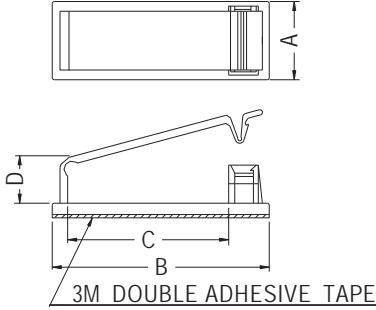
WIRE MOUNT



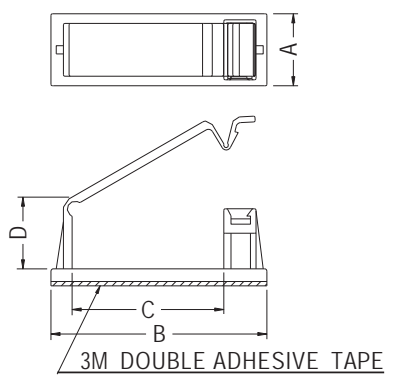
- ◆ MATERIAL: NYLON 66 (UL)
- ◆ FLAME CLASS: 94V-2/94V-0
- ◆ COLOR: NATURAL/BLACK
- ◆ UNIT: mm



PART NO	A	B	C	D	PACKAGE
FCA-1	19.7	77.6	64.0	9.95	50
FCA-2	19.0	53.5	40.0	8.9	100
FCA-3	19.0	45.8	32.0	8.44	200



PART NO	A	B	C	D	PACKAGE
FCA-5	19.8	45.4	31.8	15.2	200
FCA-6	19.3	53.5	39.7	12.0	
FCA-7	19.3	53.5	39.7	11.7	
FCA-8	19.2	53.5	39.7	9.5	

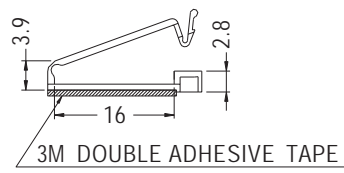
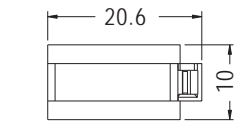
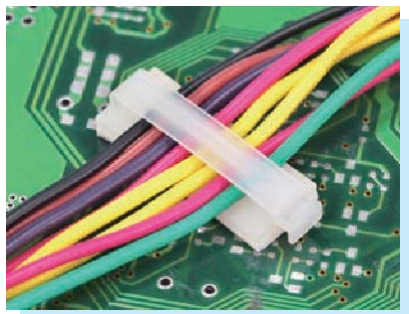


PART NO	A	B	C	D	PACKAGE
FCA-9	15.0	45.0	31.6	14.95	200
FCA-10	19.0	78.2	64.6	14.8	100
FCA-11	15.0	38.5	27.0	11.6	200
FCA-14	19.8	66.5	52.6	12.1	

WIRE MOUNT



- ◆ MATERIAL: NYLON 66 (UL)
- ◆ FLAME CLASS: 94V-2/94V-0
- ◆ COLOR: NATURAL/BLACK
- ◆ UNIT: mm



PART NO	PACKAGE
FCAB-2	500

