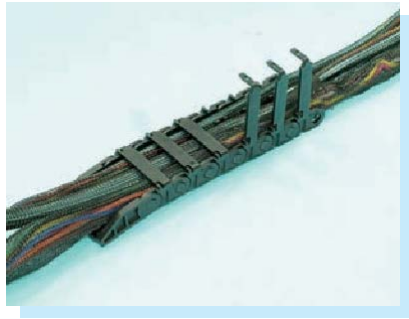
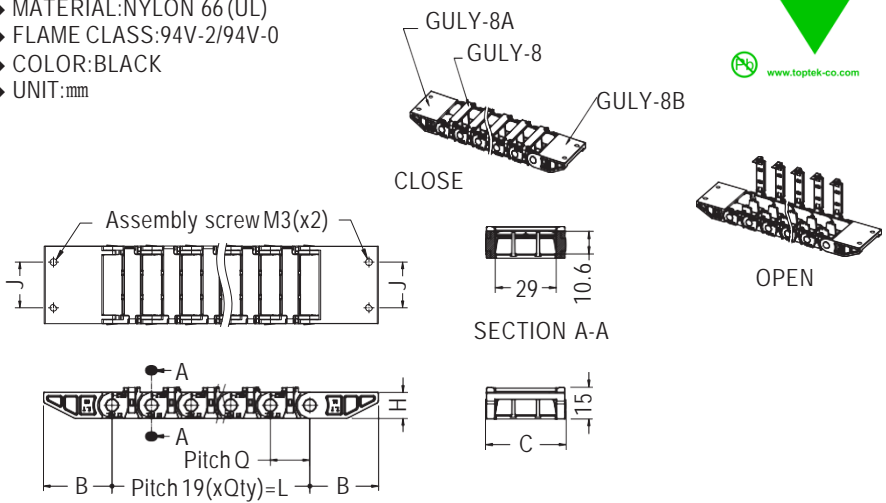


TRACK WIRE HOLDER SET



- ◆ MATERIAL: NYLON 66 (UL)
- ◆ FLAME CLASS: 94V-2/94V-0
- ◆ COLOR: BLACK
- ◆ UNIT: mm

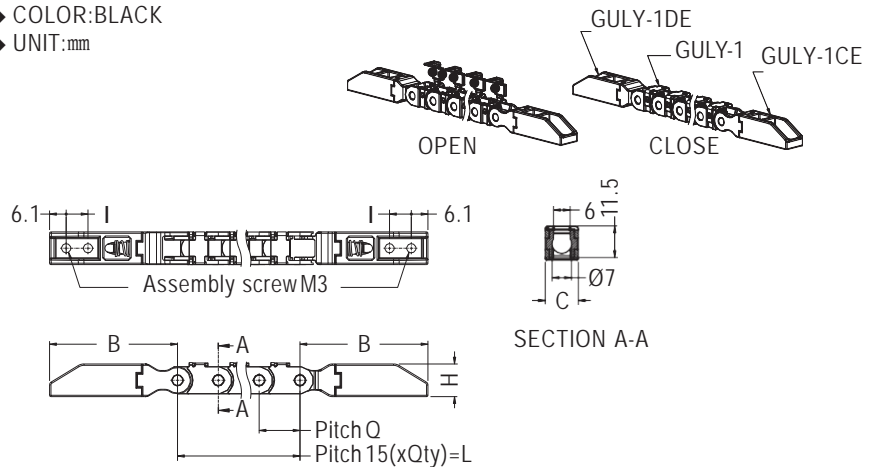


PART NO	B	C	H	J	Q
GULY-8AB-XXF	33.0	38.5	12.6	22.0	19.0

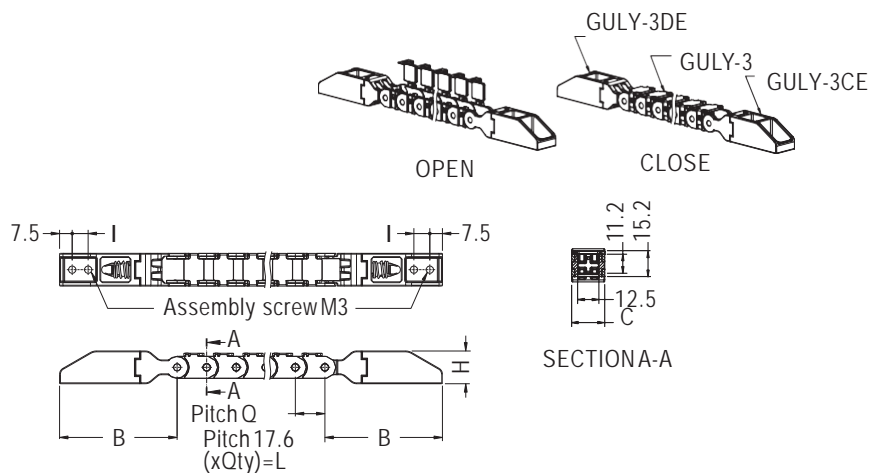
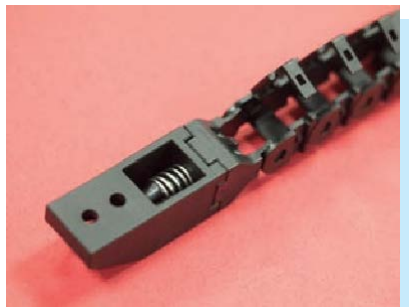
- ◆ MATERIAL: NYLON 66 (UL)
- ◆ FLAME CLASS: 94V-2/94V-0

ROTARY RACK WIRE HOLDER SET

- ◆ MATERIAL: NYLON 66 (UL)
- ◆ COLOR: BLACK
- ◆ UNIT: mm



PART NO	B	C	H	I	Q
GULY-1CDE-XXF	47.0	12.0	12.0	8.0	15.0



PART NO	B	C	H	I	Q
GULY-3CDE-XXF	70.0	19.5	19.5	9.5	17.6

