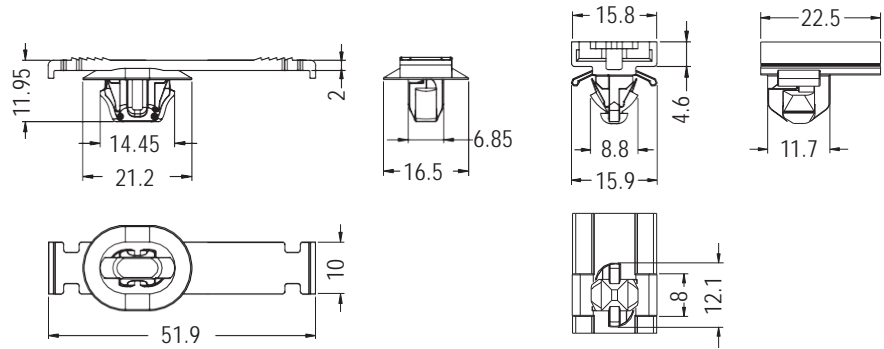


SOCKET MOUNT



- ◆ MATERIAL:PP (UL)
- ◆ FLAME CLASS:94HB
- ◆ COLOR:NATURAL/BLACK
- ◆ UNIT:mm



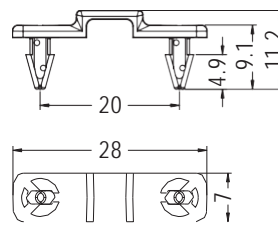
PART NO	PACKAGE
YJECL-1	500

PART NO	PACKAGE
YJECL-2	500



CABLE CLAMP

- ◆ MATERIAL:PC (UL)
- ◆ FLAME CLASS:94V-2
- ◆ COLOR:NATURAL/TRANSPARENT
- ◆ UNIT:mm

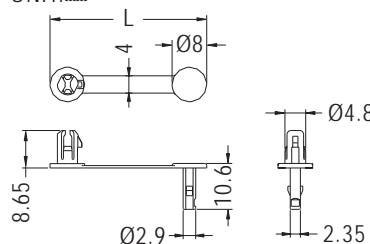


PART NO	G	T	PACKAGE
LPZ-5	3.0	2.4	1000

CHASSIS: ØG
THICKNESS: T

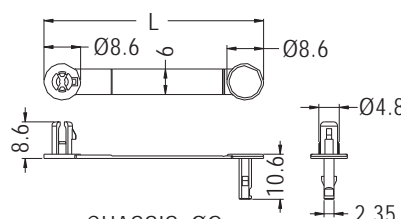
WIRE BUTTON

- ◆ MATERIAL:NYLON 6/NYLON 66 (UL)
- ◆ FLAME CLASS:94V-2/94V-0
- ◆ COLOR:NATURAL/BLACK
- ◆ UNIT:mm



PART NO	G	L	T	PACKAGE
CCU-1	4.8	36.2	3.5	500

CHASSIS: ØG
THICKNESS: T



PART NO	G	L	T	PACKAGE
CCU-2	4.8	51.6	0.8~3.2	500
CCU-3		71.6	0.6~3.0	
CCU-4		99.0	0.6~3.0	

CHASSIS: ØG
THICKNESS: T

