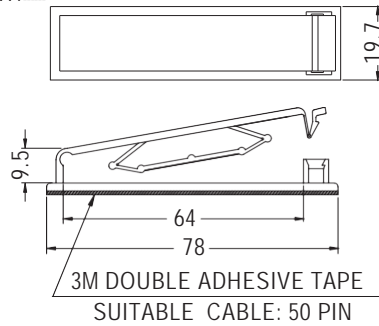


## FLAT CABLE CLAMP



- ◆ MATERIAL: NYLON 66 (UL)
- ◆ FLAME CLASS: 94V-2/94V-0
- ◆ COLOR: NATURAL/BLACK
- ◆ UNIT: mm

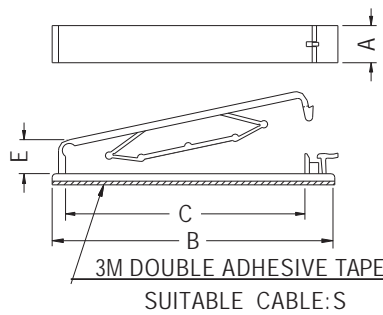


PART NO	PACKAGE
FCB-1	100

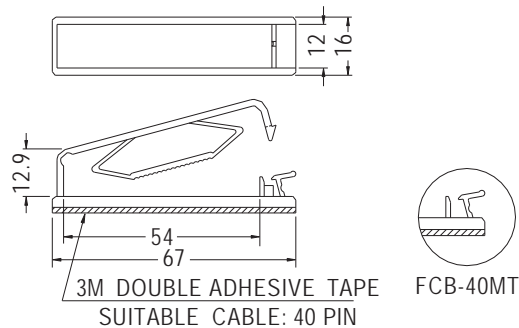
## FLAT CABLE CLAMP



- ◆ MATERIAL: NYLON 66 (UL)
- ◆ FLAME CLASS: 94V-2/94V-0
- ◆ COLOR: NATURAL/BLACK
- ◆ UNIT: mm

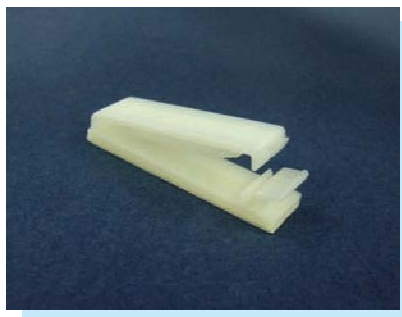


PART NO	A	B	C	E	S	PACKAGE
FCB-40	10.2	65.0	53.8	8.23	40 PIN	200
FCB-50	10.0	77.0	64.5	9.2	50 PIN	100

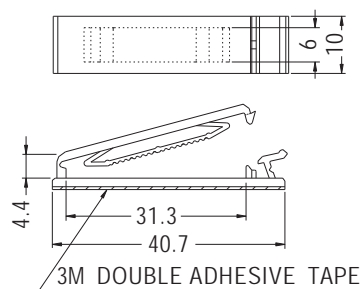


PART NO	PACKAGE
FCB-40M	100
FCB-40MT	

## FLAT CABLE CLAMP



- ◆ MATERIAL: NYLON 66 (UL)
- ◆ FLAME CLASS: 94V-2/94V-0
- ◆ COLOR: NATURAL/BLACK
- ◆ UNIT: mm



PART NO	PACKAGE
FCI-1	200