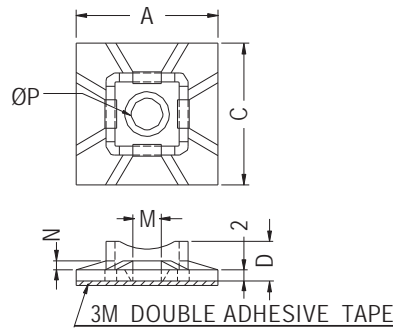


# CABLE TIE MOUNT

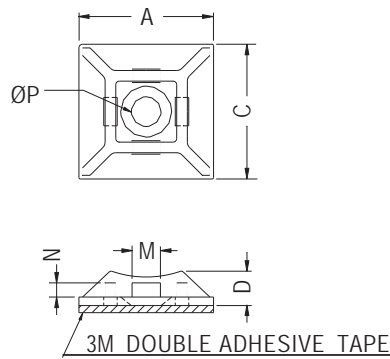
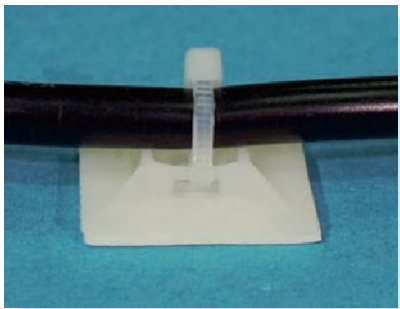
- ◆ MATERIAL: NYLON 66 (UL)
- ◆ FLAME CLASS: 94V-2/94V-0
- ◆ COLOR: NATURAL/BLACK
- ◆ UNIT: mm



PART NO	A	C	D	M	N	P	PACKAGE
CM-25	25.4	25.4	7.1	5.1	1.6	5.7	500

# CABLE TIE MOUNT

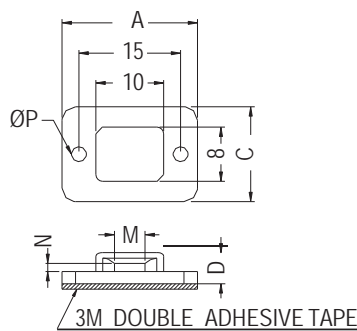
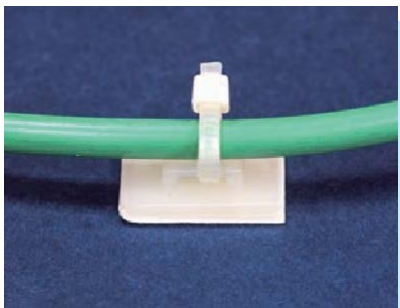
- ◆ MATERIAL: NYLON 66 (UL)
- ◆ FLAME CLASS: 94V-2/94V-0
- ◆ COLOR: NATURAL/BLACK
- ◆ UNIT: mm



PART NO	A	C	D	M	N	P	PACKAGE
CM-19S	19.0	19.0	5.0	4.0	1.9	4.0	500
CM-28	27.8	27.8	5.5	6.0	2.0	5.6	250

# CABLE TIE MOUNT

- ◆ MATERIAL: NYLON 66 (UL)
- ◆ FLAME CLASS: 94V-2/94V-0
- ◆ COLOR: NATURAL/BLACK
- ◆ UNIT: mm



PART NO	A	C	D	M	N	P	PACKAGE
CM-29	20.0	14.0	4.6	4.5	1.2	2.2	1000

