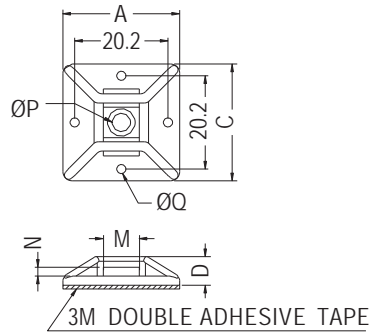


# CABLE TIE MOUNT

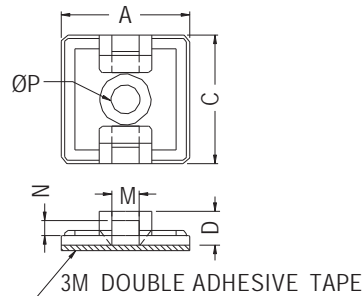
- ◆ MATERIAL: NYLON 66 (UL)
- ◆ FLAME CLASS: 94V-2/94V-0
- ◆ COLOR: NATURAL/BLACK
- ◆ UNIT: mm



PART NO	A	C	D	M	N	P	Q	PACKAGE
CM-1	25.3	25.3	6.2	7.8	1.9	4.0	2.0	500

# CABLE TIE MOUNT

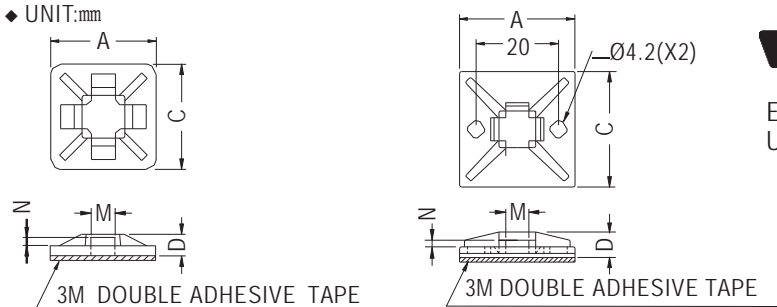
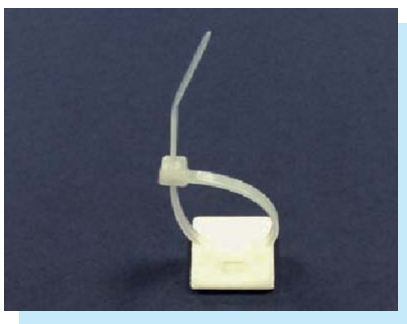
- ◆ MATERIAL: NYLON 66 (UL)
- ◆ FLAME CLASS: 94V-2/94V-0
- ◆ COLOR: NATURAL/BLACK
- ◆ UNIT: mm



PART NO	A	C	D	M	N	P	PACKAGE
CM-18	18.8	18.8	4.95	4.0	2.25	4.25	1000

# CABLE TIE MOUNT

- ◆ MATERIAL: NYLON 66 (UL)
- ◆ FLAME CLASS: 94V-2/94V-0
- ◆ COLOR: NATURAL/BLACK
- ◆ UNIT: mm



PARTNO	A	C	D	M	N	PACKAGE	UL
CM-13	13.0	13.0	3.2	3.2	1.3	1000	UL
CM-16	16.0	16.0	4.0	3.8	1.5		
CM-19	19.1	19.1	4.0	4.0	1.6	500	UL
CM-19L	19.5	19.5	4.8	5.0	1.7		
CM-20	20.0	20.0	4.2	4.8	1.6		UL
CM-28S	28.0	28.0	5.2	5.6	1.6	250	

