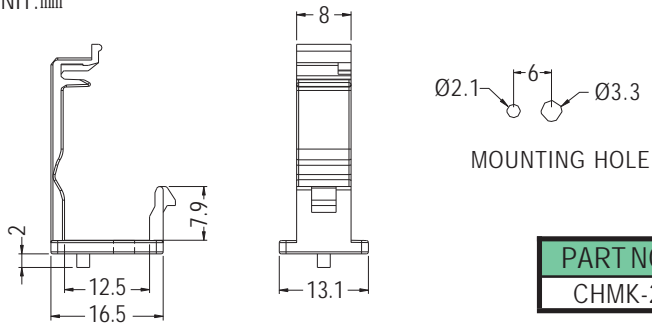
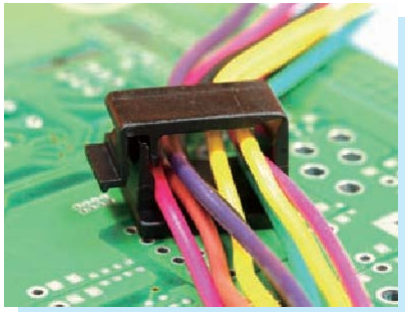


WIRE MOUNT

NEW

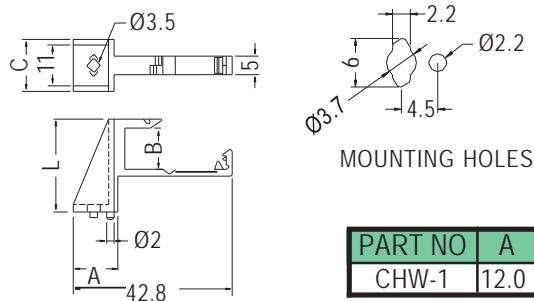
- ◆ MATERIAL: NYLON 66 (UL)
- ◆ FLAME CLASS: 94V-2/94V-0
- ◆ COLOR: NATURAL/BLACK
- ◆ UNIT: mm



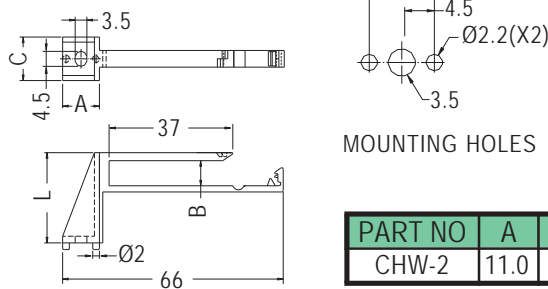
PART NO	PACKAGE
CHMK-2	1000

HARNESS CLIP STANDOFF

- ◆ MATERIAL: NYLON 66 (UL)
- ◆ FLAME CLASS: 94V-2/94V-0
- ◆ COLOR: NATURAL/BLACK
- ◆ UNIT: mm



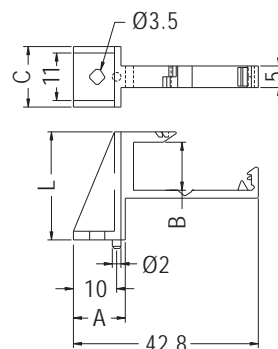
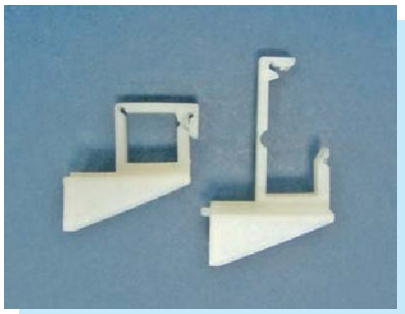
PART NO	A	B	C	L	PACKAGE
CHW-1	12.0	11.1	14.0	25.0	250



PART NO	A	B	C	L	PACKAGE
CHW-2	11.0	7.5	13.0	27.0	250

HARNESS CLIP STANDOFF

- ◆ MATERIAL: NYLON 66 (UL)
- ◆ FLAME CLASS: 94V-2/94V-0
- ◆ COLOR: NATURAL/BLACK
- ◆ UNIT: mm



PART NO	A	B	C	L	PACKAGE
CHW-1T	12.0	11.1	14.0	25.0	250

