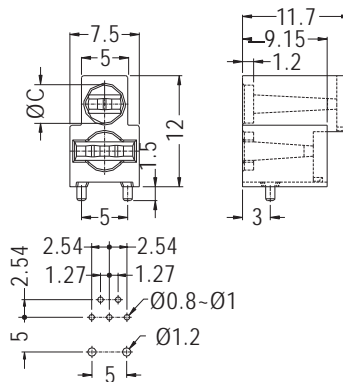


90° LEDHOLDER

- ◆ MATERIAL: NYLON 66 (UL)
- ◆ FLAME CLASS: 94V-2/94V-0
- ◆ COLOR: BLACK
- ◆ UNIT: mm

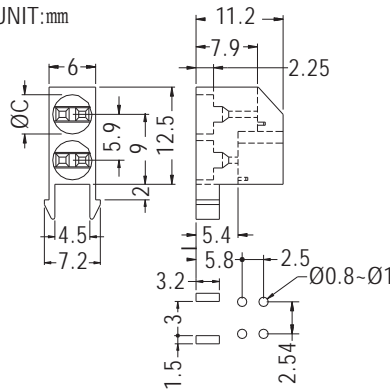
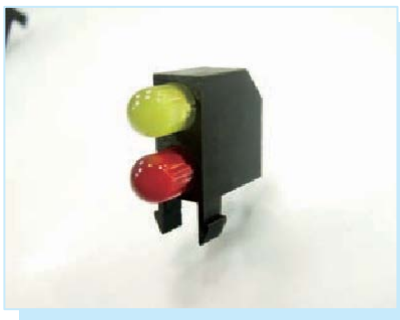


MOUNTING HOLES
THICKNESS 1.6

PART NO	C	PACKAGE
LEK-345	4.1	2000

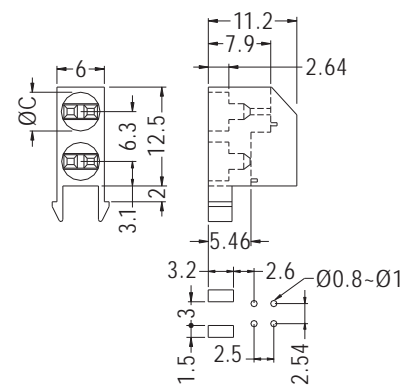
90° LEDHOLDER

- ◆ MATERIAL: NYLON 66 (UL)
- ◆ FLAME CLASS: 94V-2/94V-0
- ◆ COLOR: BLACK
- ◆ UNIT: mm



MOUNTING HOLES

PART NO	C	PACKAGE
LEK-512	5.05	1000

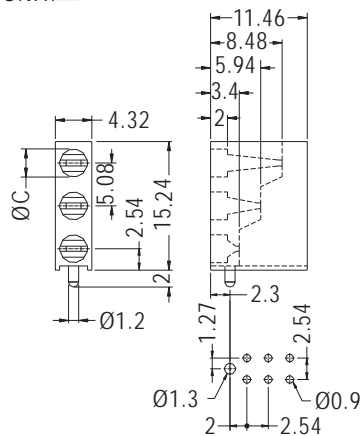


MOUNTING HOLES

PART NO	C	PACKAGE
LEK-515	4.8	1000

90° LEDHOLDER

- ◆ MATERIAL: NYLON 66 (UL)
- ◆ FLAME CLASS: 94V-2/94V-0
- ◆ COLOR: BLACK
- ◆ UNIT: mm



MOUNTING HOLES

PART NO	C	PACKAGE
LEK-331	3.3	1000