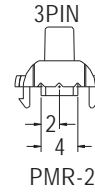
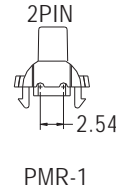
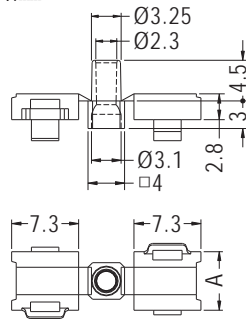


LENS CAP



- ◆ MATERIAL: NYLON 66 (UL)
- ◆ FLAME CLASS: 94V-2/94V-0
- ◆ COLOR: BLACK
- ◆ UNIT: mm

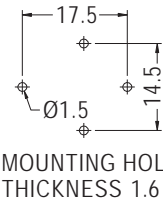
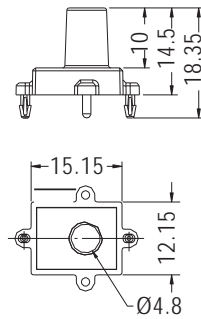


PART NO	A	PACKAGE
PMR-1	6.4	2000
PMR-2	7.86	

LENS CAP

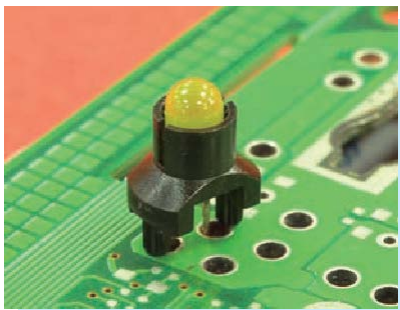


- ◆ MATERIAL: NYLON 66 (UL)
- ◆ FLAME CLASS: 94V-2/94V-0
- ◆ COLOR: BLACK
- ◆ UNIT: mm

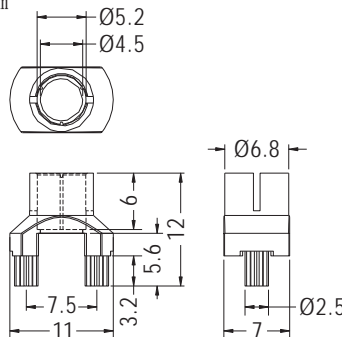


PART NO	PACKAGE
PMR-6	2000

LED HOLDER



- ◆ MATERIAL: PC (UL)
- ◆ FLAME CLASS: 94V-2/94V-0
- ◆ COLOR: BLACK
- ◆ UNIT: mm

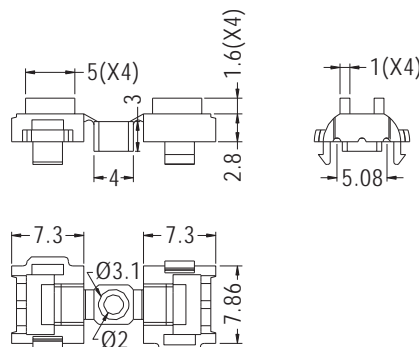


PART NO	PACKAGE
PMR-7	1000

LED HOLDER



- ◆ MATERIAL: NYLON 66 (UL)
- ◆ FLAME CLASS: 94V-2/94V-0
- ◆ COLOR: BLACK
- ◆ UNIT: mm



PART NO	PACKAGE
PMR-8	1000

