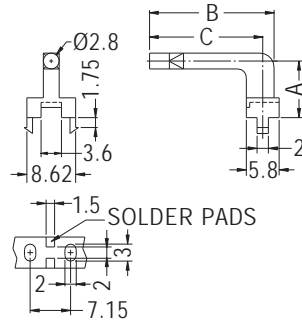


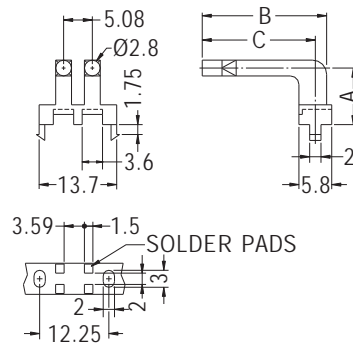


- ◆ MATERIAL:PC (UL)
- ◆ FLAME CLASS:94V-2
- ◆ COLOR:TRANSPARENT
- ◆ UNIT:mm



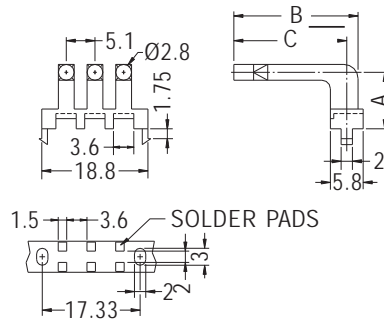
PCB LAYOUT.

PARTNO	A	B	C	PACKAGE
LPE1-5-16	5.0	16.0	14.0	1000
LPE1-5-19	5.0	19.0	17.0	
LPE1-5-22	5.0	22.0	20.0	
LPE1-10-16	10.0	16.0	14.0	
LPE1-10-19	10.0	19.0	17.0	
LPE1-10-22	10.0	22.0	20.0	
LPE1-10-26	10.0	27.0	25.0	
LPE1-15-16	15.0	16.0	14.0	
LPE1-15-19	15.0	19.0	17.0	
LPE1-15-22	15.0	22.0	20.0	



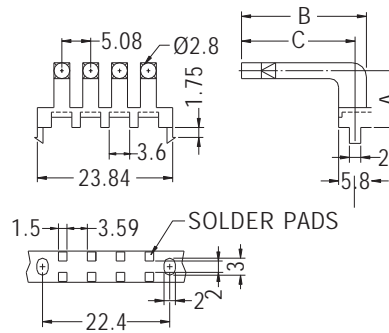
PCB LAYOUT.

PART NO	A	B	C	PACKAGE
LPE2-5-16	5.0	16.0	14.0	1000
LPE2-5-19	5.0	19.0	17.0	
LPE2-5-22	5.0	22.0	20.0	
LPE2-10-16	10.0	16.0	14.0	
LPE2-10-19	10.0	19.0	17.0	
LPE2-10-22	10.0	22.0	20.0	
LPE2-15-16	15.0	16.0	14.0	
LPE2-15-19	15.0	19.0	17.0	
LPE2-15-22	15.0	22.0	20.0	



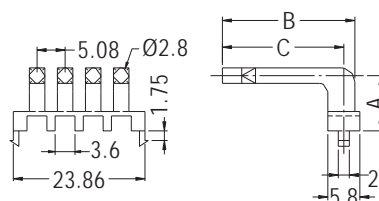
PCB LAYOUT.

PART NO	A	B	C	PACKAGE
LPE3-5-16	5.0	16.0	14.0	500
LPE3-5-19	5.0	19.0	17.0	
LPE3-5-22	5.0	22.0	20.0	
LPE3-10-16	10.0	16.0	14.0	
LPE3-10-19	10.0	19.0	17.0	
LPE3-10-22	10.0	22.0	20.0	
LPE3-15-16	15.0	16.0	14.0	
LPE3-15-19	15.0	19.0	17.0	
LPE3-15-22	15.0	22.0	20.0	



PCB LAYOUT.

PART NO	A	B	C	PACKAGE
LPE4-5-16	5.0	16.0	14.0	500
LPE4-5-19	5.0	19.0	17.0	
LPE4-5-22	5.0	22.0	20.0	
LPE4-10-16	10.0	16.0	14.0	
LPE4-10-19	10.0	19.0	17.0	
LPE4-10-22	10.0	22.0	20.0	
LPE4-15-16	15.0	16.0	14.0	
LPE4-15-19	15.0	19.0	17.0	
LPE4-15-22	15.0	22.0	20.0	



PART NO	A	B	C	PACKAGE
LPE4-5-18V	5.0	18.0	16.0	100
LPE4-10-24V	10.0	24.0	22.0	

