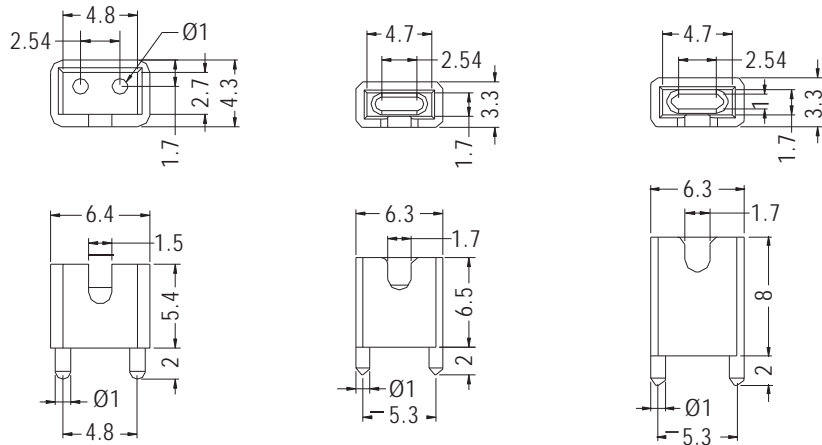
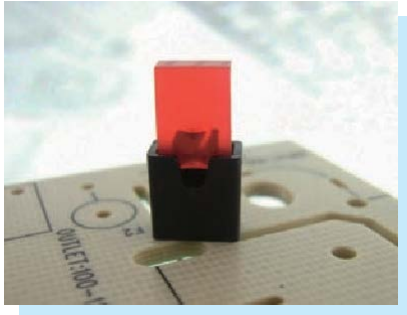


# LED SPACER SUPPORT

- ◆ MATERIAL: NYLON 66 (UL)
- ◆ FLAME CLASS: 94V-2/94V-0
- ◆ COLOR: BLACK
- ◆ UNIT: mm



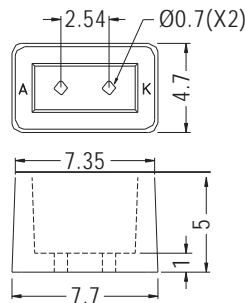
PART NO	PACKAGE
LEDUA-5.4	2000

PART NO	PACKAGE
LEDUA-6.5	2000

PART NO	PACKAGE
LEDUA-8	2000

# LED SPACER SUPPORT

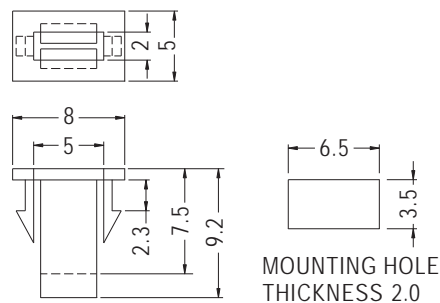
- ◆ MATERIAL: NYLON 66 (UL)
- ◆ FLAME CLASS: 94V-2/94V-0
- ◆ COLOR: BLACK
- ◆ UNIT: mm



PART NO	PACKAGE
LEF-1	2000

# LED HOLDER

- ◆ MATERIAL: NYLON 66 (UL)
- ◆ FLAME CLASS: 94V-2/94V-0
- ◆ COLOR: NATURAL/BLACK/COMPUTER
- ◆ UNIT: mm



PART NO	PACKAGE
LEQ-1	2000

