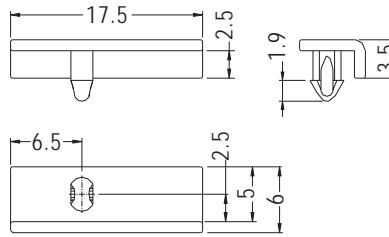


SPACER SUPPORT



- ◆ MATERIAL: NYLON 66 (UL)
- ◆ FLAME CLASS: 94V-2/94V-0
- ◆ COLOR: NATURAL/BLACK
- ◆ UNIT: mm



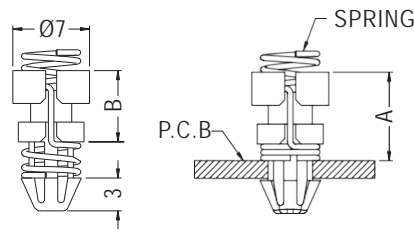
MOUNTING HOLE Ø2.5
THICKNESS 2.5

PART NO	PACKAGE
CGLE-18	1000

SPACER SUPPORT



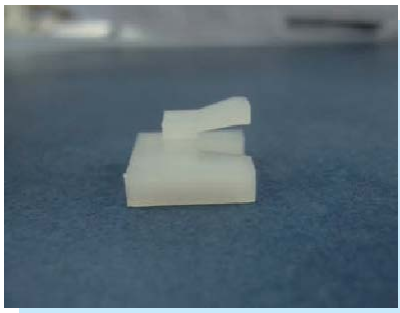
- ◆ MATERIAL: NYLON 66 (UL)
- ◆ FLAME CLASS: 94V-2/94V-0
- ◆ COLOR: NATURAL/BLACK
- ◆ UNIT: mm



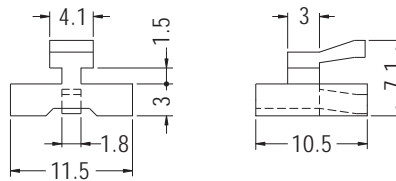
P.C.B Ø4.0
THICKNESS 0.8-1.6

PART NO	A	B	PACKAGE
ALUCA-8	8.0	6.5	1000
ALUCA-9	9.0	7.5	
ALUCA-10	10.0	8.5	
ALUCA-12	12.0	10.5	
ALUCA-14	14.0	12.5	
ALUCA-16	16.0	14.5	

SPACER SUPPORT



- ◆ MATERIAL: NYLON 66 (UL)
- ◆ FLAME CLASS: 94V-2/94V-0
- ◆ COLOR: NATURAL/BLACK
- ◆ UNIT: mm

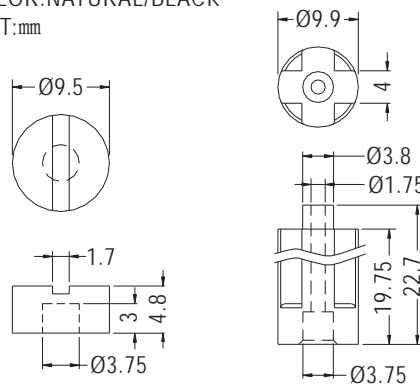


PARTNO	PACKAGE
JYCE-1	1000

SPACER SUPPORT



- ◆ MATERIAL: NYLON 66 (UL)
- ◆ FLAME CLASS: 94V-2/94V-0
- ◆ COLOR: NATURAL/BLACK
- ◆ UNIT: mm



JYCE-2B

JYCE-2A

PART NO	PACKAGE
JYCE-2	500