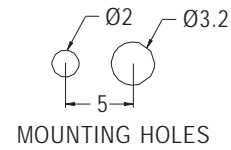
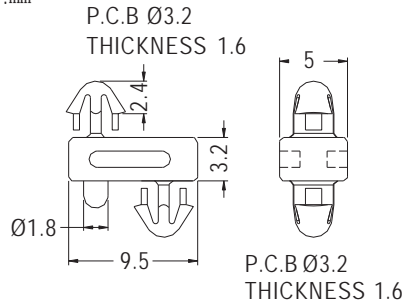


# SPACER SUPPORT



- ◆ MATERIAL: NYLON 66 (UL)
- ◆ FLAME CLASS: 94V-2/94V-0
- ◆ COLOR: NATURAL/BLACK
- ◆ UNIT: mm

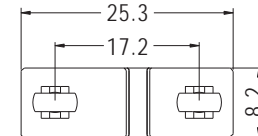
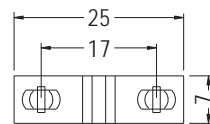
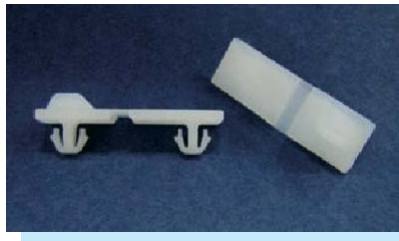
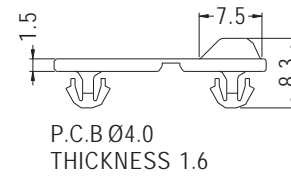
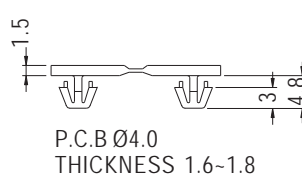


PART NO	PACKAGE
LUCE-1	1000

# P.C.B. HINGE



- ◆ MATERIAL: NYLON 66 (UL)
- ◆ FLAME CLASS: 94V-2/94V-0
- ◆ COLOR: NATURAL/BLACK
- ◆ UNIT: mm



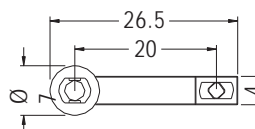
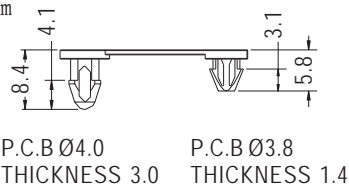
PART NO	PACKAGE
LPZ-1	1000

PART NO	PACKAGE
LPZ-6	1000

# P.C.B. HINGE



- ◆ MATERIAL: NYLON 66 (UL)
- ◆ FLAME CLASS: 94V-2/94V-0
- ◆ COLOR: NATURAL/BLACK
- ◆ UNIT: mm

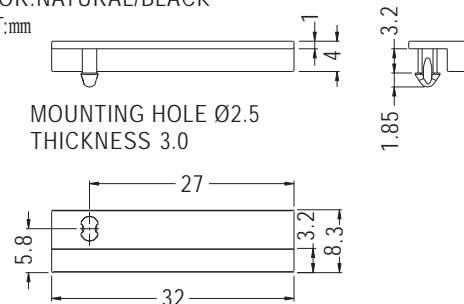


PART NO	PACKAGE
LPZ-2	1000

# SPACERSUPPORT



- ◆ MATERIAL: NYLON 66 (UL)
- ◆ FLAME CLASS: 94V-2/94V-0
- ◆ COLOR: NATURAL/BLACK
- ◆ UNIT: mm



PART NO	PACKAGE
CGLF-32	1000