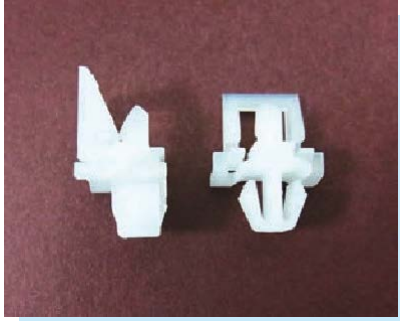
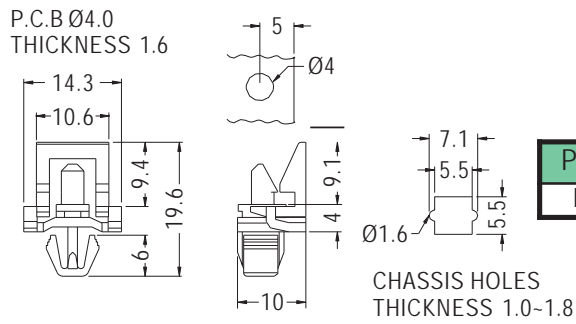


SPACER SUPPORT

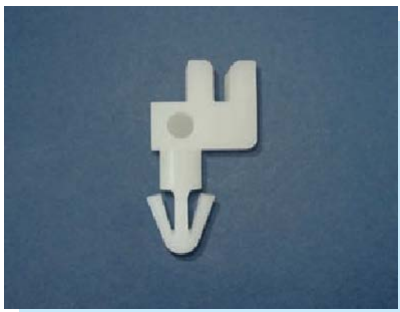


- ◆ MATERIAL: NYLON 66 (UL)
- ◆ FLAME CLASS: 94V-2/94V-0
- ◆ COLOR: NATURAL/BLACK
- ◆ UNIT: mm

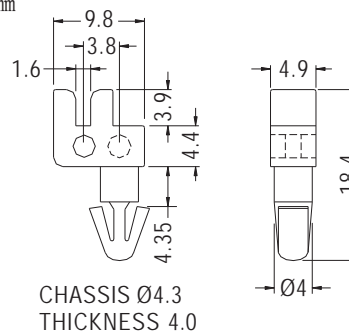


PART NO	PACKAGE
KEML-4	500

SPACER SUPPORT



- ◆ MATERIAL: NYLON 66 (UL)
- ◆ FLAME CLASS: 94V-2/94V-0
- ◆ COLOR: NATURAL/BLACK
- ◆ UNIT: mm

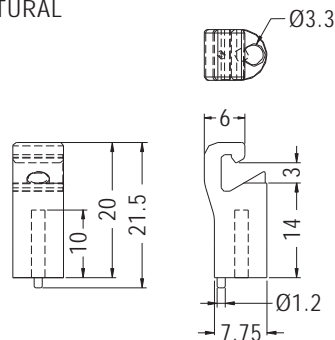


PART NO	PACKAGE
LCU-18	2000

SPACER SUPPORT



- ◆ MATERIAL: PC+ABS (UL)
- ◆ FLAME CLASS: 94V-2/94V-0
- ◆ COLOR: NATURAL
- ◆ UNIT: mm

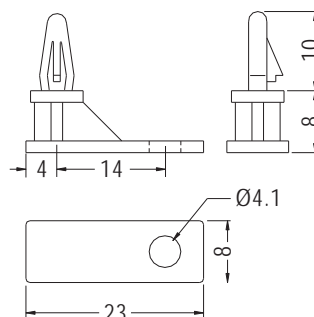


PART NO	PACKAGE
KESS-19	500

SPACER SUPPORT



- ◆ MATERIAL: NYLON 66 (UL)
 - ◆ FLAME CLASS: 94V-2/94V-0
 - ◆ COLOR: NATURAL/BLACK
 - ◆ UNIT: mm
- P.C.B Ø4.0
THICKNESS 1.6-1.8



PART NO	PACKAGE
LCBL-8	1000