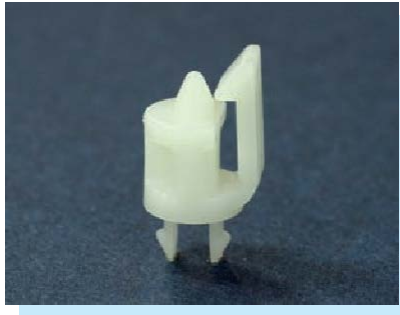
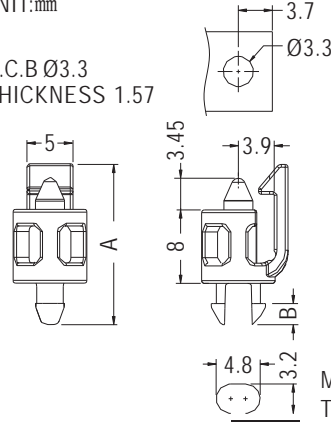


SPACER SUPPORT



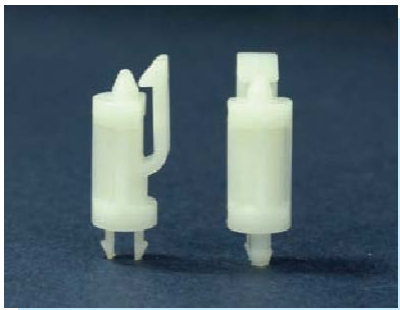
- ◆ MATERIAL: NYLON 66 (UL)
- ◆ FLAME CLASS: 94V-2/94V-0
- ◆ COLOR: NATURAL/BLACK
- ◆ UNIT: mm

P.C.B Ø3.3
THICKNESS 1.57

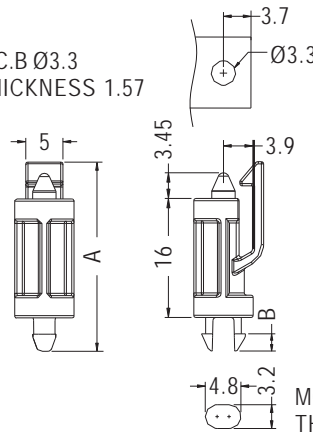


PARTNO	A	B	T	PACKAGE
ULCSA-8	17.45	2.3	2.13	1000
ULCSA-8S	16.5	1.9	1.57	

MOUNTING HOLE
THICKNESS: T

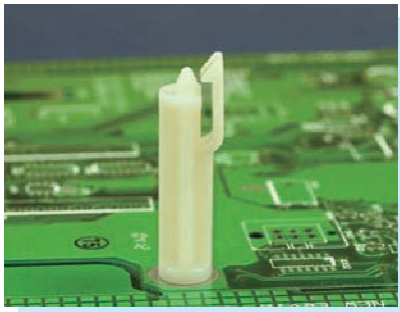


P.C.B Ø3.3
THICKNESS 1.57

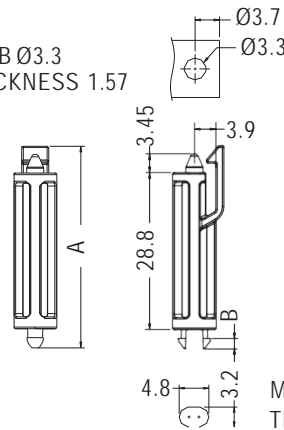


PARTNO	A	B	T	PACKAGE
ULCSA-16	25.45	2.3	2.13	1000
ULCSA-16S	24.5	1.9	1.57	

MOUNTING HOLE
THICKNESS: T



P.C.B Ø3.3
THICKNESS 1.57

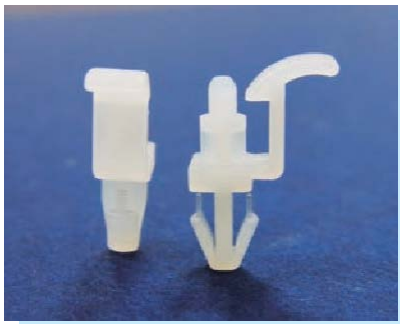


PART NO	A	B	T	PACKAGE
ULCSA-28.8S	37.3	1.9	1.57	500

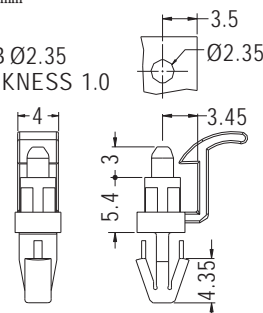
MOUNTING HOLE
THICKNESS: T

SPACER SUPPORT

- ◆ MATERIAL: NYLON 66 (UL)
- ◆ FLAME CLASS: 94V-2/94V-0
- ◆ COLOR: NATURAL/BLACK/BLUE
- ◆ UNIT: mm



P.C.B Ø2.35
THICKNESS 1.0



PARTNO	PACKAGE
ULCBA-5	1000

CHASSIS Ø4.0
THICKNESS 2.4

