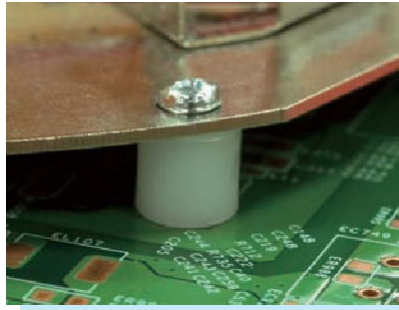
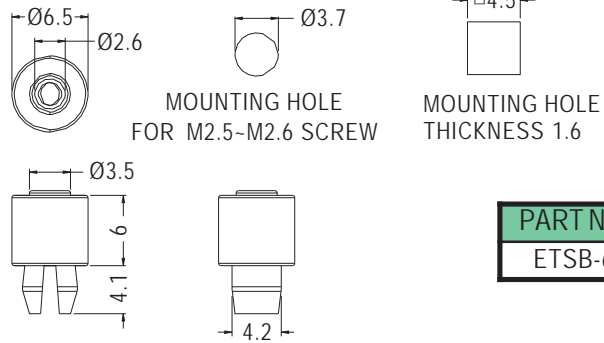


SPACERSUPPORT

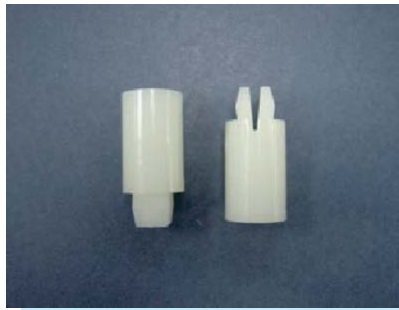


- ◆ MATERIAL: NYLON 66 (UL)
- ◆ FLAME CLASS: 94V-2/94V-0
- ◆ COLOR: NATURAL/BLACK
- ◆ UNIT: mm

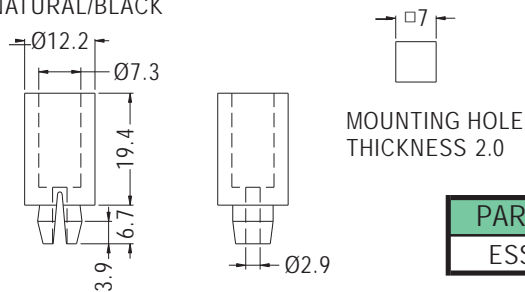


PART NO	PACKAGE
ETSB-6	1000

SPACER SUPPORT



- ◆ MATERIAL: NYLON 66 (UL)
- ◆ FLAME CLASS: 94V-2/94V-0
- ◆ COLOR: NATURAL/BLACK
- ◆ UNIT: mm

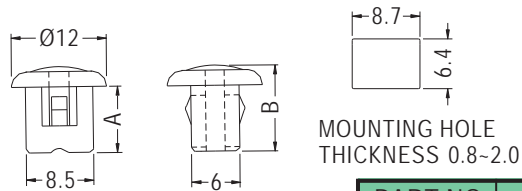


PART NO	PACKAGE
ESS-19	1000

SPACER SUPPORT



- ◆ MATERIAL: NYLON 66 (UL)
- ◆ FLAME CLASS: 94V-2/94V-0
- ◆ COLOR: NATURAL/WHITE/BLACK
- ◆ UNIT: mm

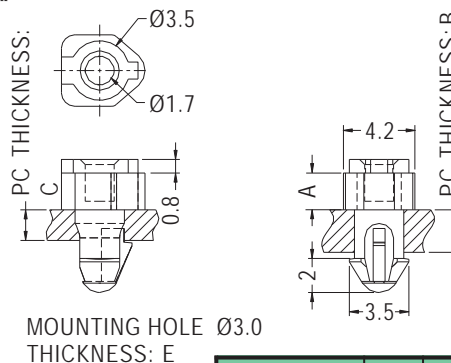


PART NO	A	B	PACKAGE
LHC-8	8.4	10.8	1000
LHC-12	12.5	14.9	

SPACERSUPPORT



- ◆ MATERIAL: NYLON 66 (UL)
- ◆ FLAME CLASS: 94V-2/94V-0
- ◆ COLOR: NATURAL/BLACK
- ◆ UNIT: mm



PART NO	A	B	C	E	PACKAGE
BSE-2.2	2.16	2.5	1.6	1.6 or 2.5	1000
★ BSE-2.2L	2.2	3.3	2.0	1.7-3.05	