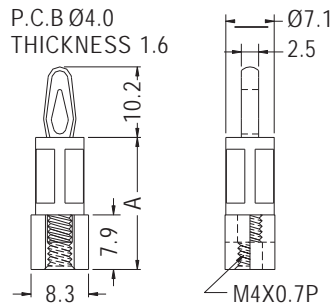


# SPACERSUPPORT



- ◆ MATERIAL: NYLON 66 (UL)
- ◆ FLAME CLASS: 94V-2/94V-0
- ◆ COLOR: NATURAL/BLACK
- ◆ UNIT: mm

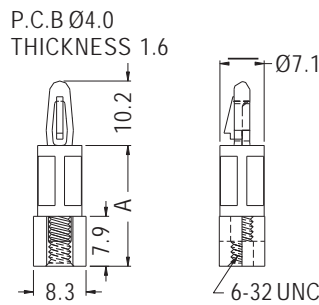


PART NO	A	PACKAGE
BSCM4-9.5	9.5	1000
BSCM4-12.7	12.7	
BSCM4-15.9	15.9	
BSCM4-19.1	19.1	
BSCM4-22.2	22.2	
BSCM4-25.4	25.4	

# SPACERSUPPORT



- ◆ MATERIAL: NYLON 66 (UL)
- ◆ FLAME CLASS: 94V-2/94V-0
- ◆ COLOR: NATURAL/BLACK
- ◆ UNIT: mm

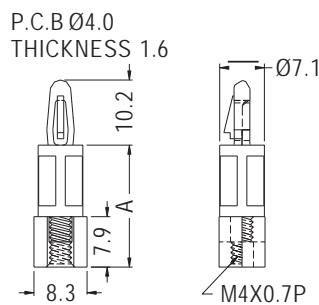


PART NO	A	PACKAGE
BSD632-9.5	9.5	1000
BSD632-12.7	12.7	
BSD632-15.9	15.9	
BSD632-19.1	19.1	
BSD632-22.2	22.2	
BSD632-25.4	25.4	

# SPACERSUPPORT



- ◆ MATERIAL: NYLON 66 (UL)
- ◆ FLAME CLASS: 94V-2/94V-0
- ◆ COLOR: NATURAL/BLACK
- ◆ UNIT: mm

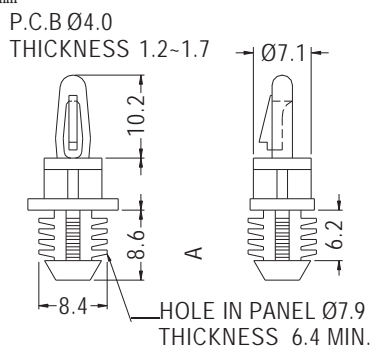


PART NO	A	PACKAGE
BSDM4-9.5	9.5	1000
BSDM4-12.7	12.7	
BSDM4-15.9	15.9	
BSDM4-19.1	19.1	
BSDM4-22.2	22.2	
BSDM4-25.4	25.4	

# SPACER SUPPORT



- ◆ MATERIAL: NYLON 66 (UL)
- ◆ FLAME CLASS: 94V-2/94V-0
- ◆ COLOR: NATURAL/BLACK
- ◆ UNIT: mm



PART NO	A	PACKAGE
WBH-5	4.8	1000
WBH-6	6.4	
WBH-9	9.5	
WBH-11	11.1	
WBH-12	12.7	
WBH-16	15.9	
WBH-19	19.1	
WBH-22	22.2	
WBH-25	25.4	

