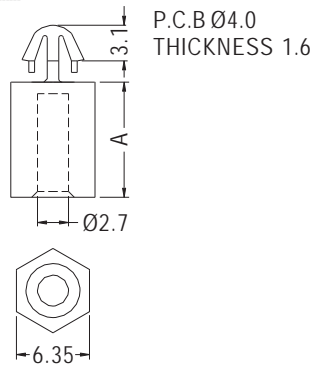


SPACER SUPPORT



- ◆ MATERIAL: NYLON 66 (UL)
- ◆ FLAME CLASS: 94V-2/94V-0
- ◆ COLOR: NATURAL/BLACK
- ◆ UNIT: mm

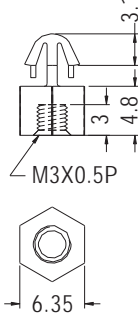


P.C.B Ø4.0 THICKNESS 1.6



◆ MAE43-XT M3X0.5P

P.C.B Ø4.0 THICKNESS 1.85



PART NO	PACKAGE
★ MAE43-4.8LT	1000

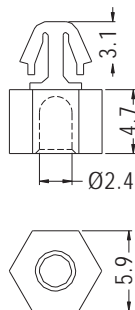
PART NO	A	PACKAGE
MAE43-5	5.0	2000
MAE43-6	6.0	
MAE43-7	7.0	
MAE43-8	8.0	
MAE43-9	9.0	
MAE43-10	10.0	
MAE43-11	11.0	
MAE43-12.7	12.7	
MAE43-14	14.0	
MAE43-15	15.0	
MAE43-15.9	15.9	
MAE43-20	20.0	

PART NO	A	PACKAGE
MAE43-5T	5.0	2000
MAE43-6T	6.0	
MAE43-7T	7.0	
MAE43-8T	8.0	
MAE43-9T	9.0	
MAE43-10T	10.0	
MAE43-11T	11.0	
MAE43-12.7T	12.7	
MAE43-14T	14.0	
MAE43-15T	15.0	
MAE43-15.9T	15.9	
MAE43-20T	20.0	

SPACER SUPPORT



- ◆ MATERIAL: NYLON 66 (UL)
- ◆ FLAME CLASS: 94V-2/94V-0
- ◆ COLOR: NATURAL/BLACK
- ◆ UNIT: mm



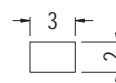
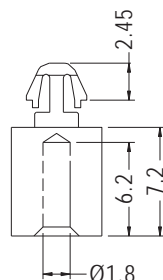
P.C.B Ø4.0 THICKNESS 1.6

PART NO	PACKAGE
MCI-4.7	1000

SPACER SUPPORT



- ◆ MATERIAL: NYLON 66 (UL)
- ◆ FLAME CLASS: 94V-2/94V-0
- ◆ COLOR: NATURAL/BLACK
- ◆ UNIT: mm



MOUNTING HOLE THICKNESS 1.6

PART NO	PACKAGE
MCSH-7.2	1000

