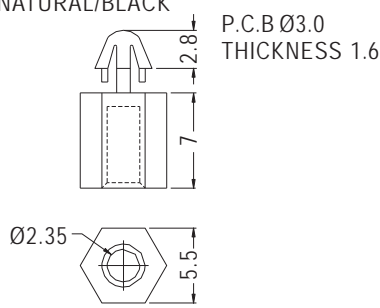


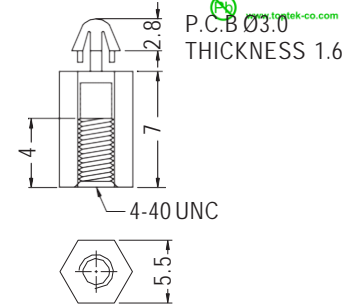
SPACER SUPPORT



MATERIAL: NYLON 66 (UL)
FLAME CLASS: 94V-2/94V-0
COLOR: NATURAL/BLACK
UNIT:



PART NO	PACKAGE
MAE-7-440	2000



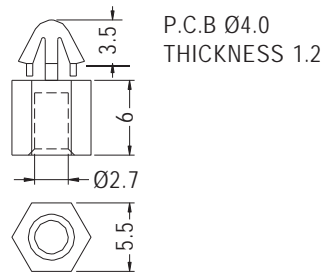
PART NO	PACKAGE
MAE-7-440T	2000

1

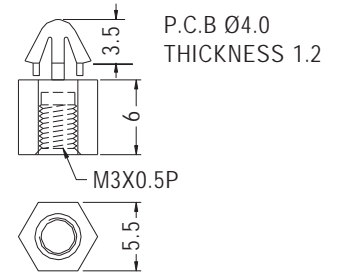
SPACER SUPPORT



MATERIAL: NYLON 66 (UL)
FLAME CLASS: 94V-2/94V-0
COLOR: NATURAL/BLACK
UNIT:



PART NO	PACKAGE
MAE4D-6	1000



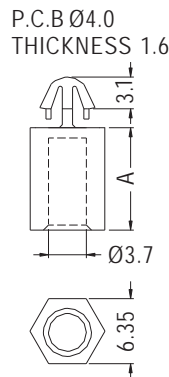
MAE4D-6T M3X0.5P

PART NO	PACKAGE
MAE4D-6T	1000

SPACER SUPPORT

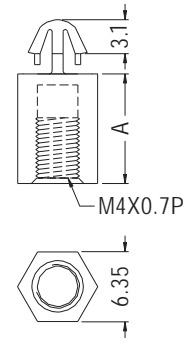


MATERIAL: NYLON 66 (UL)
FLAME CLASS: 94V-2/94V-0
COLOR: NATURAL/BLACK
UNIT:



PART NO	A	PACKAGE
MAE4-5	5.0	2000
MAE4-6	6.0	
MAE4-7	7.0	
MAE4-8	8.0	
MAE4-9	9.0	
MAE4-10	10.0	
MAE4-11	11.0	
MAE4-12.7	12.7	
MAE4-14	14.0	
MAE4-15	15.0	
MAE4-15.9	15.9	
MAE4-20	20.0	

P.C.B Ø4.0 THICKNESS 1.6



MAE4-XT M4X0.7P

PART NO	A	PACKAGE
MAE4-5T	5.0	2000
MAE4-6T	6.0	
MAE4-7T	7.0	
MAE4-8T	8.0	
MAE4-9T	9.0	
MAE4-10T	10.0	
MAE4-11T	11.0	
MAE4-12.7T	12.7	
MAE4-14T	14.0	
MAE4-15T	15.0	
MAE4-15.9T	15.9	
MAE4-20T	20.0	

