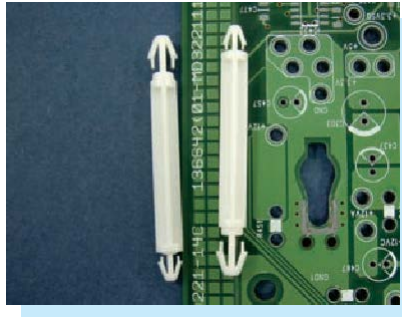
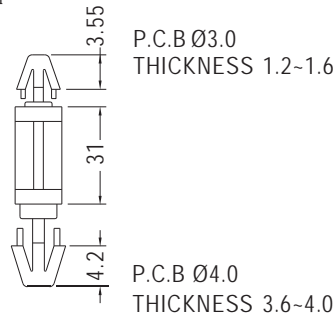


SPACER SUPPORT

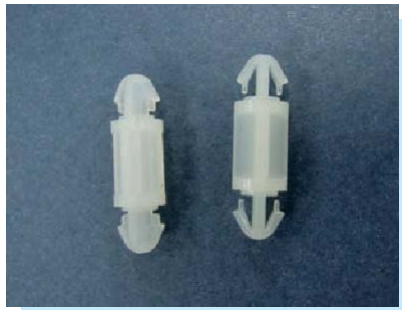


- ◆ MATERIAL: NYLON 66 (UL)
- ◆ FLAME CLASS: 94V-2/94V-0
- ◆ COLOR: NATURAL/BLACK
- ◆ UNIT: mm

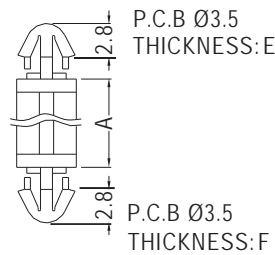


PART NO	PACKAGE
LCX-31	2000

SPACER SUPPORT



- ◆ MATERIAL: NYLON 66 (UL)
- ◆ FLAME CLASS: 94V-2/94V-0
- ◆ COLOR: NATURAL/BLACK
- ◆ UNIT: mm



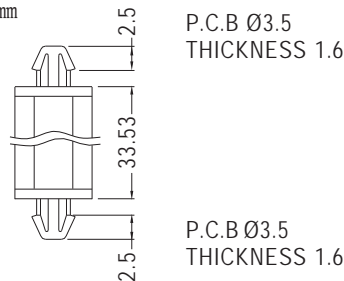
PART NO	A	E	F	PACKAGE
LCI-2.5	2.5	1.2~1.7	1.2~1.7	2000
LCI-3	3.0			
LCI-3.5	3.5			
LCI-4	4.0			
LCI-4.5	4.5			
LCI-5	5.0			

PART NO	A	E	F	PACKAGE
LCI-5.5	5.5	1.2~1.7	1.2~1.7	1000
LCI-6	6.0			
LCI-6.5	6.35			
LCI-7	7.0			
LCI-8	8.0			
LCI-9	9.0			
LCI-10	10.0			
LCI-11	11.0			
LCI-12	12.0			
LCI-15	15.0			
LCI-15(2)	15.0	1.6~2.4	1.6~2.4	500
LCI-20	20.0	1.2~1.7	1.2~1.7	
★LCI-30L	30.0	1.6~2.4	1.6~2.4	

SPACER SUPPORT



- ◆ MATERIAL: NYLON 66 (UL)
- ◆ FLAME CLASS: 94V-2/94V-0
- ◆ COLOR: NATURAL/BLACK
- ◆ UNIT: mm

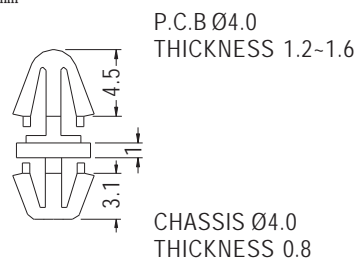


PART NO	PACKAGE
LDE-33	1000

SPACER SUPPORT



- ◆ MATERIAL: NYLON 66 (UL)
- ◆ FLAME CLASS: 94V-2/94V-0
- ◆ COLOR: NATURAL/BLACK
- ◆ UNIT: mm



PART NO	PACKAGE
LCK-1	2000

