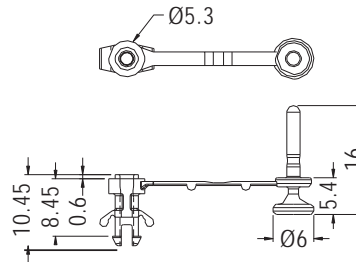


SPACER SUPPORT

NEW



- ◆ MATERIAL: NYLON 66 (UL)
- ◆ FLAME CLASS: 94V-2/94V-0
- ◆ COLOR: NATURAL/BLACK
- ◆ UNIT: mm



MOUNTING HOLE Ø3.5
THICKNESS 1.6-2.2

PART NO	PACKAGE
ULCOC-1	1000

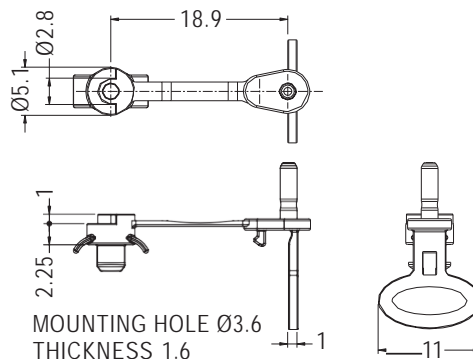
1

SPACER SUPPORT

NEW



- ◆ MATERIAL: NYLON 66 (UL)
- ◆ FLAME CLASS: 94V-2/94V-0
- ◆ COLOR: NATURAL/BLACK/BLUE
- ◆ UNIT: mm



MOUNTING HOLE Ø3.6
THICKNESS 1.6

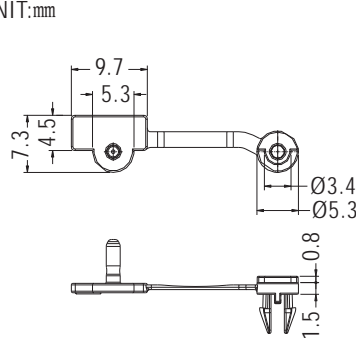
PART NO	PACKAGE
ULCOC2.2-1.6	1000

SPACER SUPPORT

NEW



- ◆ MATERIAL: NYLON 66 (UL)
- ◆ FLAME CLASS: 94V-2/94V-0
- ◆ COLOR: NATURAL/BLACK/BLUE
- ◆ UNIT: mm



MOUNTING HOLE
THICKNESS 1.6

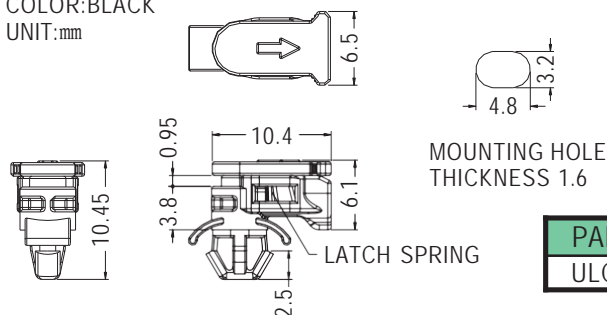
PART NO	PACKAGE
ULCOD1.5-1.6	1000

SPACERSUPPORT



- ◆ MATERIAL: PA66 (UL)
- ◆ SPRING MATERIAL: SWPB
- ◆ FLAME CLASS: 94V-0
- ◆ COLOR: BLACK
- ◆ UNIT: mm

NEW



MOUNTING HOLE
THICKNESS 1.6

PART NO	PACKAGE
ULCOF-2F	1000

