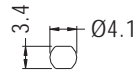


SPACER SUPPORT

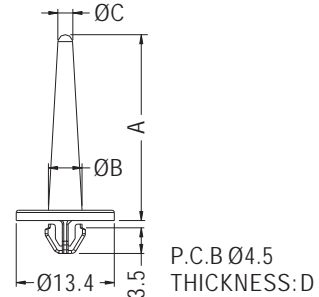
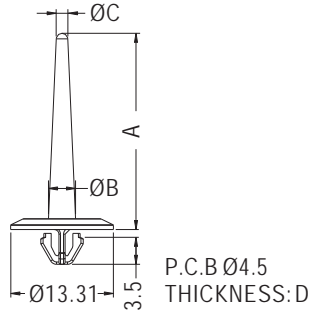


- ◆ MATERIAL:PC(UL)
- ◆ FLAME CLASS:94V-2/94V-0
- ◆ COLOR:WHITE
- ◆ UNIT:mm



MOUNTING HOLE
THICKNESS:D

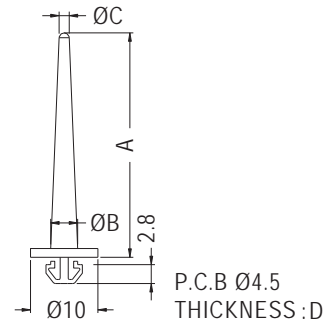
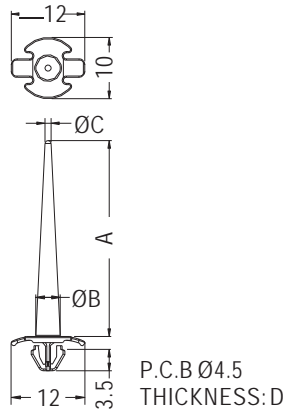
PART NO	A	B	C	D	PACKAGE
MCFG-3010	30.5	4.65	0.8	1.0	1000
MCFG-35810	35.8	4.65	1.05	1.05	



PART NO	A	B	C	D	PACKAGE
MCFA-2508	25.4	3.5	1.5	0.6~0.8	500
MCFA-2511	25.4	3.5	1.5	0.8~1.1	

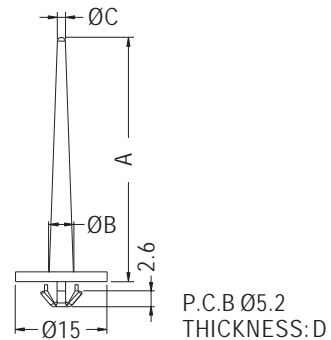
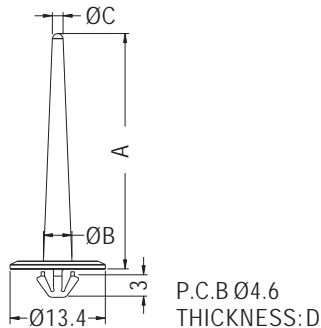
PART NO	A	B	C	D	PACKAGE
MCFC-2508	25.4	4.6	2.0	0.6~0.8	1000

- ◆ MATERIAL:PC
- ◆ COLOR:NATURAL/WHITE
- ◆ UNIT:mm



PART NO	A	B	C	D	PACKAGE
★ MCFD-2810	28.0	4.0	1.0	0.8~1.0	1000
MCFD-3210	32.0	4.0	1.0	0.8~1.0	

PART NO	A	B	C	D	PACKAGE
★ MCFL-3310	33.3	4.0	1.5	1.0	1000



PART NO	A	B	C	D	PACKAGE
MCF-3305	33.1	4.0	1.5	0.6	500
MCF-3308	33.1	4.0	1.5	0.5~0.8	

PART NO	A	B	C	D	PACKAGE
MCF-2310	23.5	4.5	1.6	0.8~1.0	500
MCF-4213	40.0	3.95	1.3	1.0~1.3	

