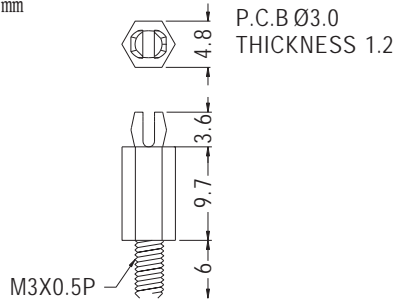


SPACER SUPPORT



- ◆ MATERIAL: NYLON 66 (UL)
- ◆ FLAME CLASS: 94V-2/94V-0
- ◆ COLOR: NATURAL/BLACK
- ◆ UNIT: mm

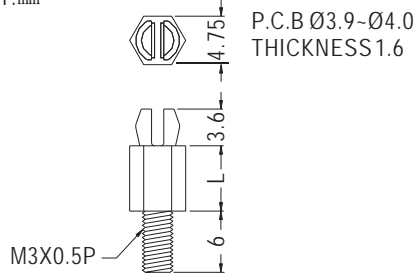


PARTNO	PACKAGE
MSPA3-9.7	1000

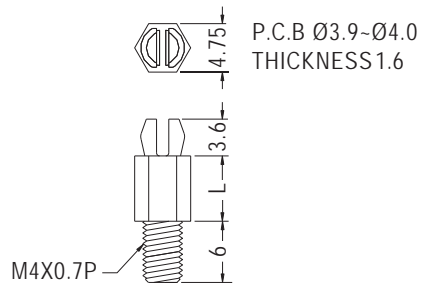
SPACER SUPPORT



- ◆ MATERIAL: NYLON 66 (UL)
- ◆ FLAME CLASS: 94V-2/94V-0
- ◆ COLOR: NATURAL/BLACK
- ◆ UNIT: mm



PARTNO	L	PACKAGE
MSPG3-3.2	3.2	1000
MSPG3-4.8	4.8	
MSPG3-6.4	6.4	
MSPG3-9.5	9.5	
MSPG3-12.7	12.7	
MSPG3-15.9	15.9	
MSPG3-19.1	19.1	
MSPG3-22.2	22.2	

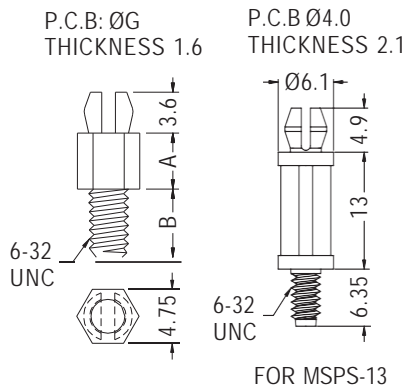


PARTNO	L	PACKAGE
MSPG4-3.2	3.2	1000
MSPG4-4.8	4.8	
MSPG4-6.4	6.4	
MSPG4-9.5	9.5	
MSPG4-12.7	12.7	
MSPG4-15.9	15.9	
MSPG4-19.1	19.1	
MSPG4-22.2	22.2	

SPACER SUPPORT



- ◆ MATERIAL: NYLON 66 (UL)
- ◆ FLAME CLASS: 94V-2/94V-0
- ◆ COLOR: NATURAL/BLACK/GRAY
- ◆ UNIT: mm



PARTNO	A	B	G	PACKAGE
MSPS-2S	2.0	3.0	4.0	2000
MSPS-3	3.2	6.0		
MSPS-5	4.8	6.0	3.9-4.0	1000
MSPS-6	6.4	6.0		
MSPS-12.7	12.7	6.0		
MSPS-13	15.9	6.0	4.0	
MSPS-15.9	15.9	6.0		
MSPS-19.1	19.1	6.0	3.9-4.0	
MSPS-22.2	22.2	6.0		

