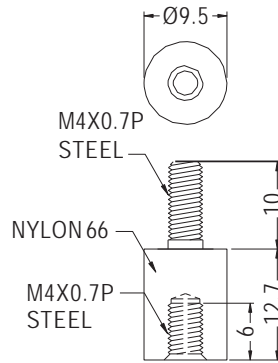


THREADED SPACER



- ◆ MATERIAL: NYLON 66 (UL)
- ◆ FLAME CLASS: 94V-2/94V-0
- ◆ COLOR: NATURAL/BLACK
- ◆ UNIT: mm

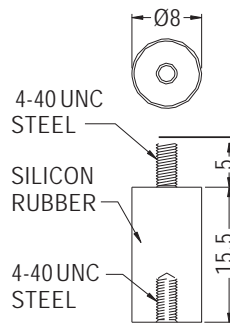


PART NO	PACKAGE
MTP4-12.7	1000

SILICON SPACER



- ◆ TERMINAL MAT'L: STEEL
- ◆ FLAME CLASS: SILICON RUBBER
- ◆ COLOR: GRAY
- ◆ UNIT: mm

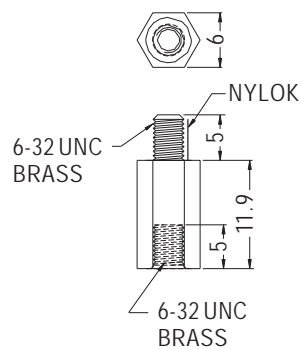


PART NO	PACKAGE
SITP-15.5	1000

THREADED SPACER



- ◆ MATERIAL: NYLON 66 (UL)
- ◆ FLAME CLASS: 94V-2/94V-0
- ◆ COLOR: NATURAL/BLACK
- ◆ UNIT: mm



PART NO	PACKAGE
MTPD632-11.9	1000

